

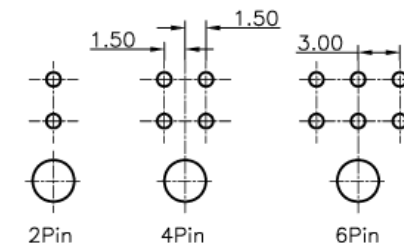
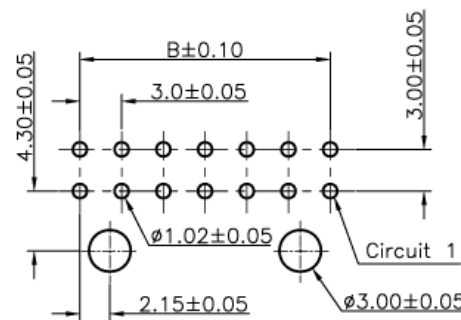
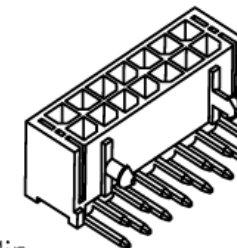
Circuits	Dimension			Circuits	Dimension		
	A	B	C		A	B	C
2	6.7	—	2.9	14	24.7	18.0	16.6
4	9.7	3.0	2.9	16	27.7	21.0	19.6
6	12.7	6.0	2.9	18	30.7	24.0	22.6
8	15.7	9.0	7.6	20	33.7	27.0	25.6
10	18.7	12.0	10.6	22	36.7	30.0	28.6
12	21.7	15.0	13.6	24	39.7	33.0	31.6

Specifications:

Current rating: 5.0A AC, DC
 Voltage rating: 250V AC, DC
 Contact resistance: 10m ohm Max
 Insulation resistance: 1000M ohm Min
 Withstanding voltage: AC 1500V AC/minute
 Operating Temperature: -25°C ~ +105°C

Materials:

Insulator: High Temp Plastic (Nylon 46 UL94V-0)
 Insulator Color: Black
 Contact: Copper Alloy
 Finish: Tin Plated



PCB Layout

TOLERANCE (mm)	APPROVALS	DATE	TITLE	AMPHENOL Amphenol European Design Center	
X. ±0.3	DRAWN Stephane	20/Jan/2005	3.0 Power Wafer Dip R/A w/Post	Scale N.A.	Sheet 1 of 1
XX ±0.2	CHECKED Rob	20/Jan/2005			
X.XX ±0.15	APPROVED Rob	20/Jan/2005			
UNLESS OTHERWISE SPECIFIED	UNIT: mm	SIZE: A4	DRAWING N°	MF30-DHP1-XX	REV. A