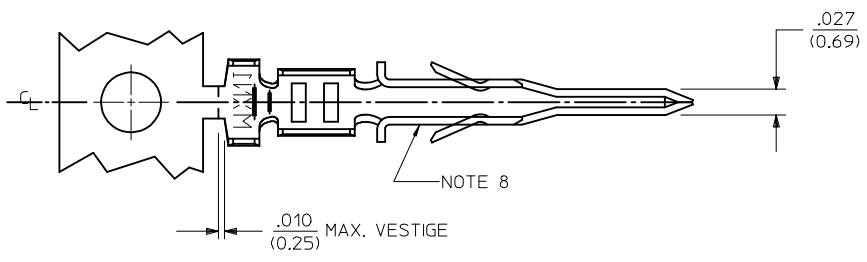
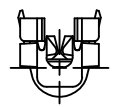
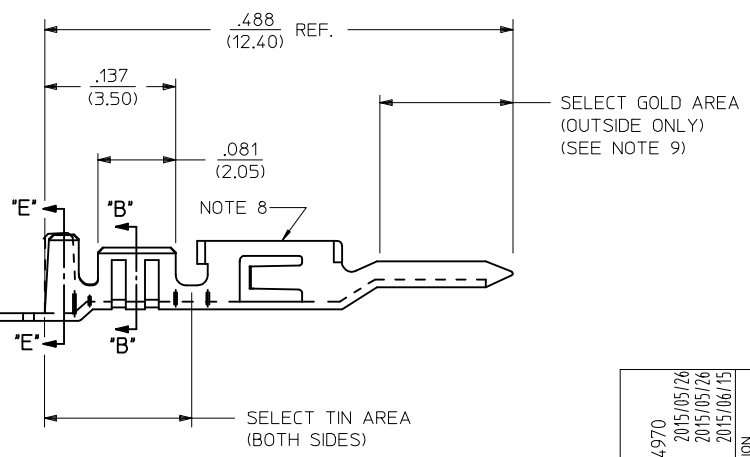


AWG:	MAX. INSULATION
20-24	.073/(1.85)
26-30	.050/(1.27)

ITEM NUMBER	PLATING OPTION	WIRE SIZE	ASSEMBLY OPTION	"A" ±.016 (±0.41)	"C" ±.012 (±0.30)	"D" ±.005 (±0.13)	"E" ±.016 (±0.41)	"G" ±.005 (±0.13)	"H" ±.012 (±0.30)
43031-0001	A	20-24	CHAIN	.090/(2.29)	.100/(2.54)	.030/(0.76) R.	.075/(1.91)	.025/(0.64) R.	.082/(2.08)
43031-0002	B	20-24	CHAIN	.090/(2.29)	.100/(2.54)	.030/(0.76) R.	.075/(1.91)	.025/(0.64) R.	.082/(2.08)
43031-0003	C	20-24	CHAIN	.090/(2.29)	.100/(2.54)	.030/(0.76) R.	.075/(1.91)	.025/(0.64) R.	.082/(2.08)
43031-0004	A	26-30	CHAIN	.075/(1.91)	.083/(2.10)	.025/(0.64) R.	.058/(1.47)	.020/(0.51) R.	.065/(1.65)
43031-0005	B	26-30	CHAIN	.075/(1.91)	.083/(2.10)	.025/(0.64) R.	.058/(1.47)	.020/(0.51) R.	.065/(1.65)
43031-0006	C	26-30	CHAIN	.075/(1.91)	.083/(2.10)	.025/(0.64) R.	.058/(1.47)	.020/(0.51) R.	.065/(1.65)
43031-0007	A	20-24	LOOSE	.090/(2.29)	.100/(2.54)	.030/(0.76) R.	.075/(1.91)	.025/(0.64) R.	.082/(2.08)
43031-0008	B	20-24	LOOSE	.090/(2.29)	.100/(2.54)	.030/(0.76) R.	.075/(1.91)	.025/(0.64) R.	.082/(2.08)
43031-0009	C	20-24	LOOSE	.090/(2.29)	.100/(2.54)	.030/(0.76) R.	.075/(1.91)	.025/(0.64) R.	.082/(2.08)
43031-0010	A	26-30	LOOSE	.075/(1.91)	.083/(2.10)	.025/(0.64) R.	.058/(1.47)	.020/(0.51) R.	.065/(1.65)
43031-0011	B	26-30	LOOSE	.075/(1.91)	.083/(2.10)	.025/(0.64) R.	.058/(1.47)	.020/(0.51) R.	.065/(1.65)
43031-0012	C	26-30	LOOSE	.075/(1.91)	.083/(2.10)	.025/(0.64) R.	.058/(1.47)	.020/(0.51) R.	.065/(1.65)



- NOTES:
- MATERIAL: PHOSPHOR BRONZE ALLOY
 - TERMINAL PLATING:
 "A" = HOT TIN DIP: .000040/(0.00102) MIN.
 "B" = .000015/(0.00038) MIN. SELECT GOLD
 .000100/(0.00254) MIN. SELECT TIN
 OVER .000050/(0.00127) MIN. NICKEL
 "C" = .000030/(0.00076) MIN. SELECT GOLD
 .000100/(0.00254) MIN. SELECT TIN
 OVER .000050/(0.00127) MIN. NICKEL
 * MATERIAL NUMBERS WITH SELECT PLATING ARE
 POST-PLATED AFTER FORMING
 - PRODUCT SPECIFICATION: PS-43045, PS-43650, PS-44300-001.
 - PACKAGING SPECIFICATION: PK-43031-001 (REEL),
 AND PK-43030-003 (LOOSE).
 - TERMINAL FOR USE IN MICRO FIT PLUG 43020-****, 43640-****,
 AND 44300-****.
 - FOR TERMINAL ORIENTATION IN PLUG SEE DRAWING SDA-43020-****
 OR SD-43640-****.
 - THIS TERMINAL IS DESIGNED IN METRIC.
 - TERMINAL MAY HAVE AN INWARD OR OUTWARD FORMED SHAPE
 IN THIS AREA.
 - SOME GOLD MAY BE PRESENT ON INSIDE SURFACE.



NOTE 8 EC NO: UCP2015-4970 DRWN: JDOX CHKD: SSOUSEK APPR: FSMITH	QUALITY SYMBOLS ▽=0 ▽=0 ▽=0	GENERAL TOLERANCES (UNLESS SPECIFIED) <table border="1"> <thead> <tr> <th></th> <th>mm</th> <th>INCH</th> </tr> </thead> <tbody> <tr> <td>4 PLACES ±</td> <td>---</td> <td>± ---</td> </tr> <tr> <td>3 PLACES ±</td> <td>---</td> <td>±.014</td> </tr> <tr> <td>2 PLACES ±</td> <td>0.25</td> <td>±.010</td> </tr> <tr> <td>1 PLACE ±</td> <td>0.35</td> <td>± ---</td> </tr> <tr> <td>0 PLACE ±</td> <td>±</td> <td>±</td> </tr> </tbody> </table>		mm	INCH	4 PLACES ±	---	± ---	3 PLACES ±	---	±.014	2 PLACES ±	0.25	±.010	1 PLACE ±	0.35	± ---	0 PLACE ±	±	±	DIMENSION STYLE IN/MM DRAWN BY: MUELLER DATE: 2002/08/13 CHECKED BY: MUELLER DATE: 2002/08/13 APPROVED BY: MARGULIS DATE: 2002/08/13	SCALE --- METRIC	DESIGN UNITS METRIC	THIRD ANGLE PROJECTION
		mm	INCH																					
	4 PLACES ±	---	± ---																					
	3 PLACES ±	---	±.014																					
2 PLACES ±	0.25	±.010																						
1 PLACE ±	0.35	± ---																						
0 PLACE ±	±	±																						
DRAFT WHERE APPLICABLE MUST REMAIN WITHIN DIMENSIONS		MATERIAL NO. SEE CHART	TITLE MICRO-FIT (3.0) MALE TERMINAL	molex																				
ANGULAR ±1/2°		DOCUMENT NO. SD-43031-****	1 OF 1																					
THIS DRAWING CONTAINS INFORMATION THAT IS PROPRIETARY TO MOLEX INCORPORATED AND SHOULD NOT BE USED WITHOUT WRITTEN PERMISSION																								