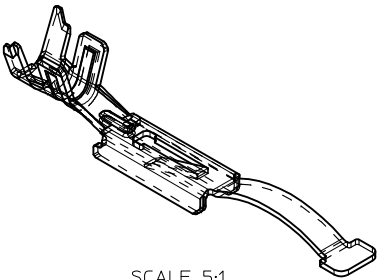
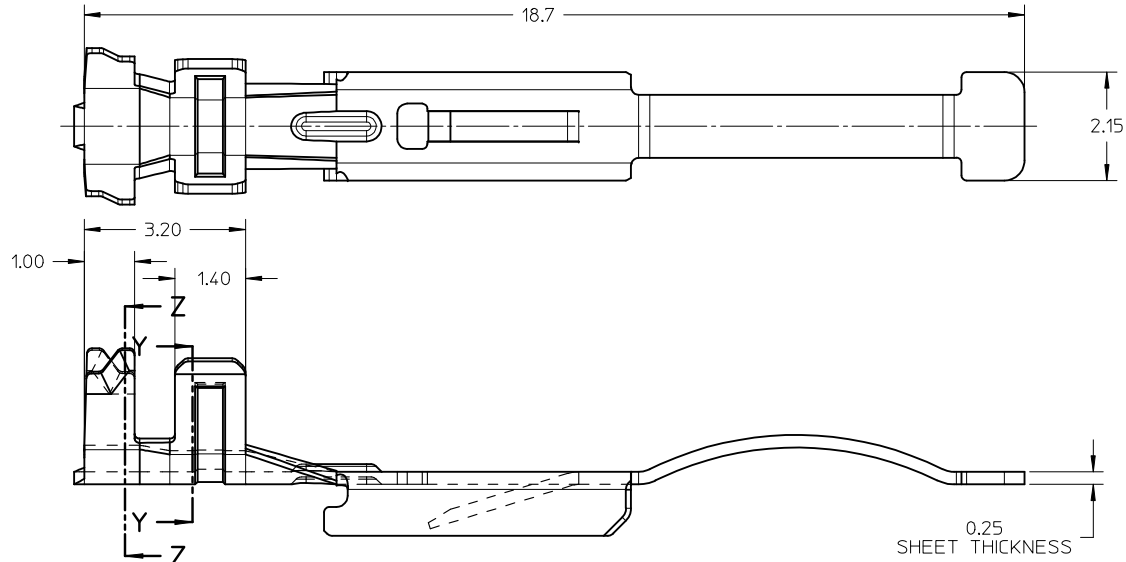
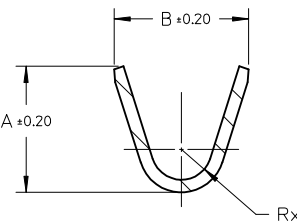


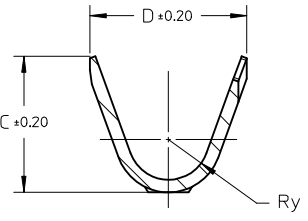
PART NUMBER	AWG	A	B	Rx	C	D	Ry
1502000001	20-22	2.50	2.70	0.60	2.70	3.10	0.80
1502000002	24-26	2.35	2.70	0.25	2.20	2.40	0.70



SCALE 5:1

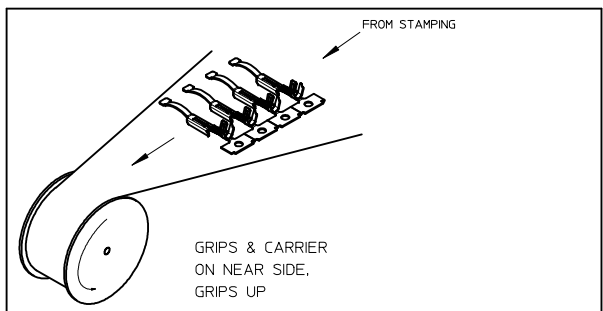
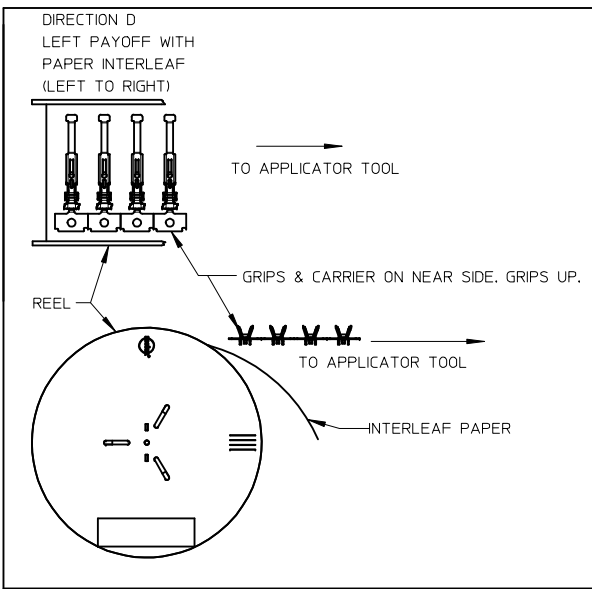


SECTION Y-Y



SECTION Z-Z

REELING DIRECTIONS



NOTES:

1. MATERIAL: TIN BRASS
2. PLATING FINISHES: PREPLATED TIN
3. PRODUCT SPECIFICATION: PS-150197-0000
4. PACKAGING SPECIFICATION: PK-150197-0000 (TBE)
5. MATES WITH IDENTICAL TERMINAL (SERIES 150200)
6. USED WITH GENDERLESS CRP HSG SERIES 150170 & 150201
7. COSMETIC SPECIFICATION: PS-45499-002 CLASS B

<b>TERMINAL GEOMETRY</b> UPDATED: 2015/03/31 EC NO: IZ015-0137 DRW: NCSR CHKD: KPRASAD APPR: KPRASAD 2015/04/14	QUALITY SYMBOLS $F_A=0$ $F_C=0$ $F_B=0$	GENERAL TOLERANCES (UNLESS SPECIFIED)		DIMENSION STYLE <b>MM ONLY</b>	SCALE <b>10:1</b>	DESIGN UNITS <b>METRIC</b>	THIRD ANGLE PROJECTION
		4 PLACES ± --- ± --- 3 PLACES ± --- ± --- 2 PLACES ± 0.13 ± --- 1 PLACE ± 0.25 ± --- 0 PLACE ± --- ± ---	mm      INCH	DRAWN BY: NCSR CHECKED BY: NCSR APPROVED BY: KPRASAD MATERIAL NO.	DATE: 2014/12/25 DATE: 2014/12/25 DATE: 2015/04/14	TITLE: <b>SALES DRAWING          GENDERLESS TERMINALS(PL)          DITTO INTERCONNECTS</b>	<b>molex</b>
DRAFT WHERE APPLICABLE MUST REMAIN WITHIN DIMENSIONS		ANGULAR ±1/2°		SEE TABLE		THIS DRAWING CONTAINS INFORMATION THAT IS PROPRIETARY TO MOLEX INCORPORATED AND SHOULD NOT BE USED WITHOUT WRITTEN PERMISSION	