

PRODUCT NUMBER
SEE P/N TABLE

- NOTE:
- MATERIAL:
HOUSING: HIGH TEMP. THERMOPLASTIC UL94V-0,
COLOR: BLACK
CONTACT: COPPER ALLOY.
 - CONTACT FINISH: 50u" MIN. NICKEL UNDERPLATED.
OPTIONAL PLATING ON CONTACT AREA.
 - THIS PLUG MATES WITH FCI RECEPTACLE WIRE
CONNECTOR 10127716.
 - PRODUCT SPECIFICATION: GS-12-1177.
 - PACKAGE SPECIFICATION: GS-14-2359.
 - THE HOUSING WILL WITHSTAND EXPOSURE TO 260°C PEAK
TEMPERATURE 10 SECONDS IN A REFLOW OVEN.
 - PART NUMBER SCHEME:
10127720- XX X X X X LF

POS. CODE:
02: 2 POS
04: 4 POS
24: 24 POS

PLATING CODE:
1: 100u" TIN
2: GOLD FLASH
3: 15u" Au
4: 30u" Au

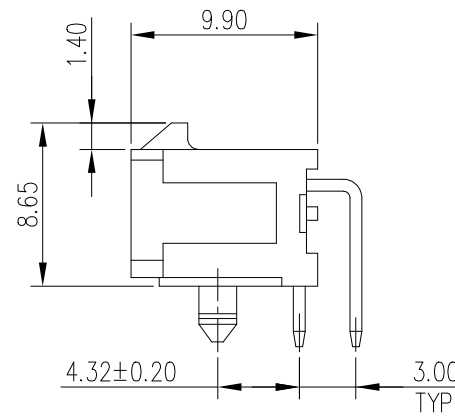
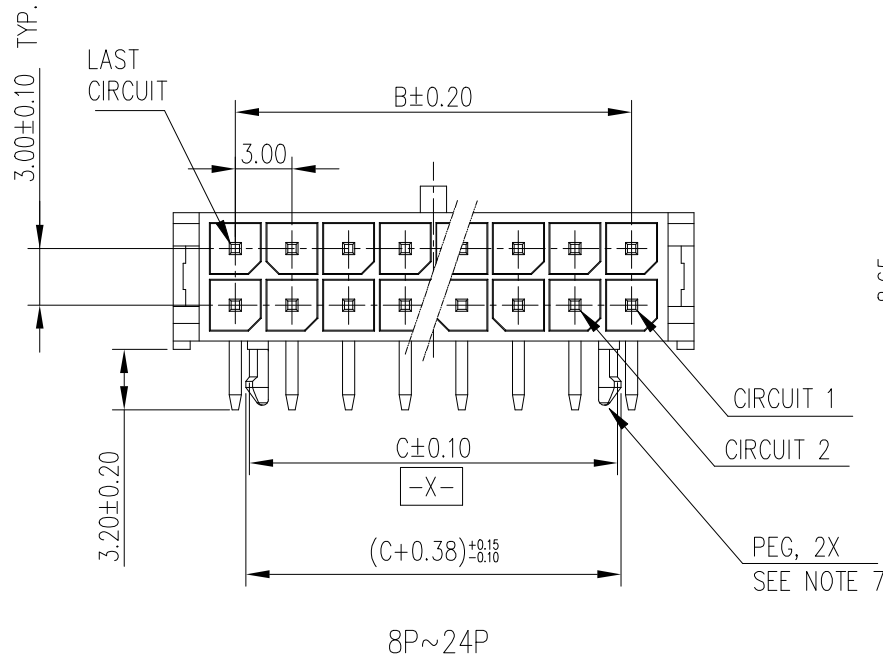
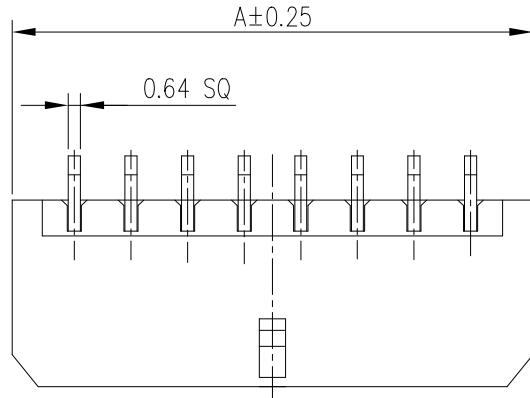
OPTIONAL PACKAEGS:
BLANK: TRAY
R: TAPE AND REEL

OPTIONAL PEGS:
N: NO PEG, ONLY
FOR 4 & 8 & 10 POS.

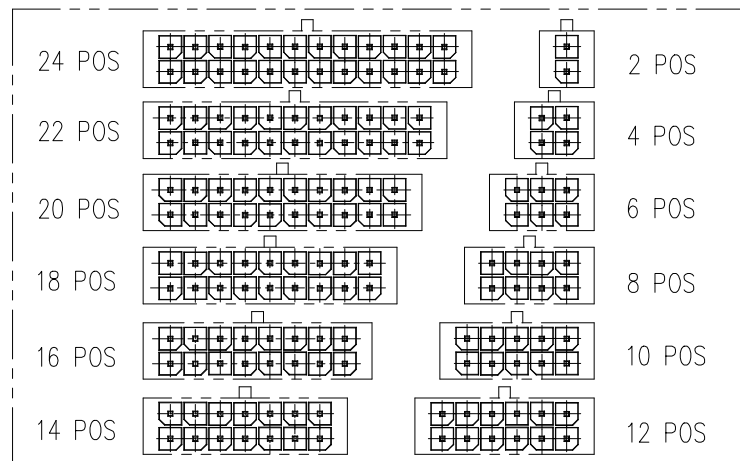
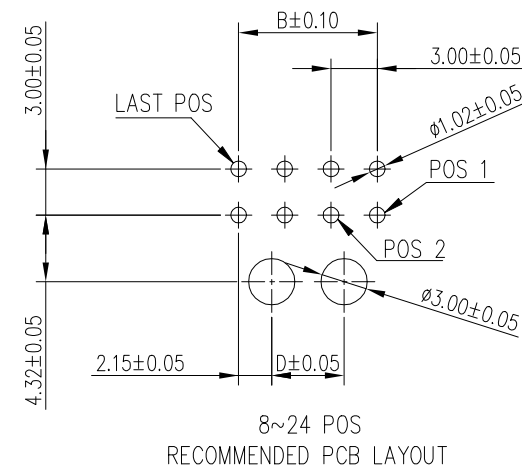
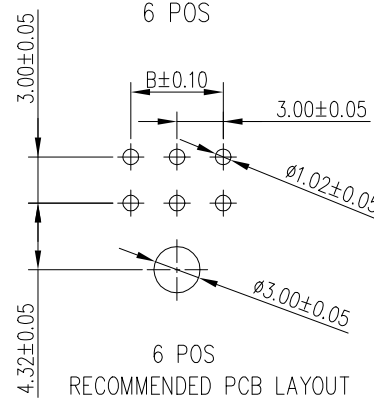
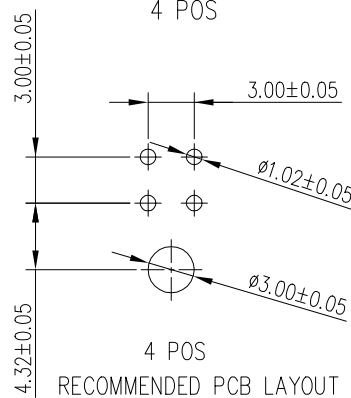
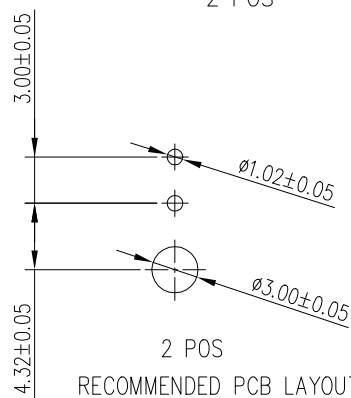
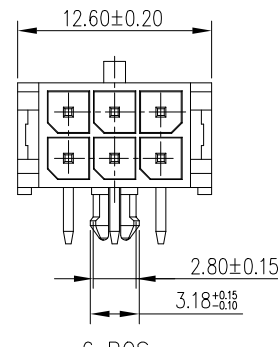
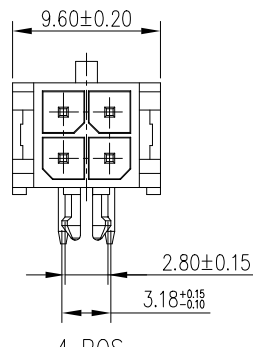
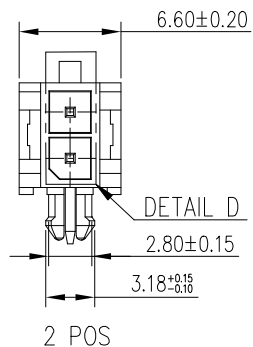
GLOW WIRE COMPATIBLE:
BLANK: NON-COMPATIBLE
G: COMPATIBLE

8. P/N & DIMENSION TABLE:

PART NO.	POS	A	B	C	D
10127720-02XXXLF	2	6.60	--	2.80	--
10127720-04XXXLF	4	9.60	3.00	2.80	--
10127720-06XXXLF	6	12.60	6.00	2.80	--
10127720-08XXXLF	8	15.60	9.00	7.50	4.70
10127720-10XXXLF	10	18.60	12.00	10.50	7.70
10127720-12XXXLF	12	21.60	15.00	13.50	10.70
10127720-14XXXLF	14	24.60	18.00	16.50	13.70
10127720-16XXXLF	16	27.60	21.00	19.50	16.70
10127720-18XXXLF	18	30.60	24.00	22.50	19.70
10127720-20XXXLF	20	33.60	27.00	25.50	22.70
10127720-22XXXLF	22	36.60	30.00	28.50	25.70
10127720-24XXXLF	24	39.60	33.00	31.50	28.70



mat'l. code		surface		tolerance		projection		product family	
ltr	ecn no	dr	date	tolerances unless otherwise specified		MM		MINITEK PWR3.0	
A		TAI	2013-10-21	angles	X.X ±0.3	→		title	
B	ELX-T-17184	TAI	2014-03-12	flat	X.XX ±0.20	←		MINITEK PWR3.0 WTB HEADER DUAL ROW, R/A DIP TYPE	
C	ELX-T-19251	TAI	2014-10-31	X°±2'		scale		dwg no	
D	ELX-T-23045	TAI	2016-01-15	dr	KENNY TAI	2013-10-21	FCI	sheet 1 of 2 size	
E	ELX-T-24032	TAI	2016-05-05	enr	KENNY TAI	2013-10-21		10127720 A4	
F	ELX-T-25278	TAI	2016-11-04	chr	KENNY TAI	2013-10-21		type	
G	ELX-N-27442	TONY	2017-07-11	appd	PM ZHENG	2013-11-06		CUSTOMER Drawing	
sheet	revision	G	G						
index	sheet	1	2						



DETAIL D

mat'l. code		surface <input checked="" type="checkbox"/> tolerance		projection		product family MINITEK PWR3.0	
ltr	ecn no	dr	date	tolerances unless otherwise specified		title	
				angles	linear	MINITEK PWR3.0 WTB HEADER DUAL ROW, R/A DIP TYPE	
				X.X ±0.3	MM		
				X.XX ±0.20			
				X'±2'	scale		
		dr	KENNY TAI	2013-10-21		dwg no sheet 2 of 2 size	
		enr	KENNY TAI	2013-10-21		10127720 A4	
		chr	KENNY TAI	2013-10-21			
		appd	PM ZHENG	2013-11-06		type CUSTOMER Drawing	
sheet index	revision sheet	G 1	G 2				