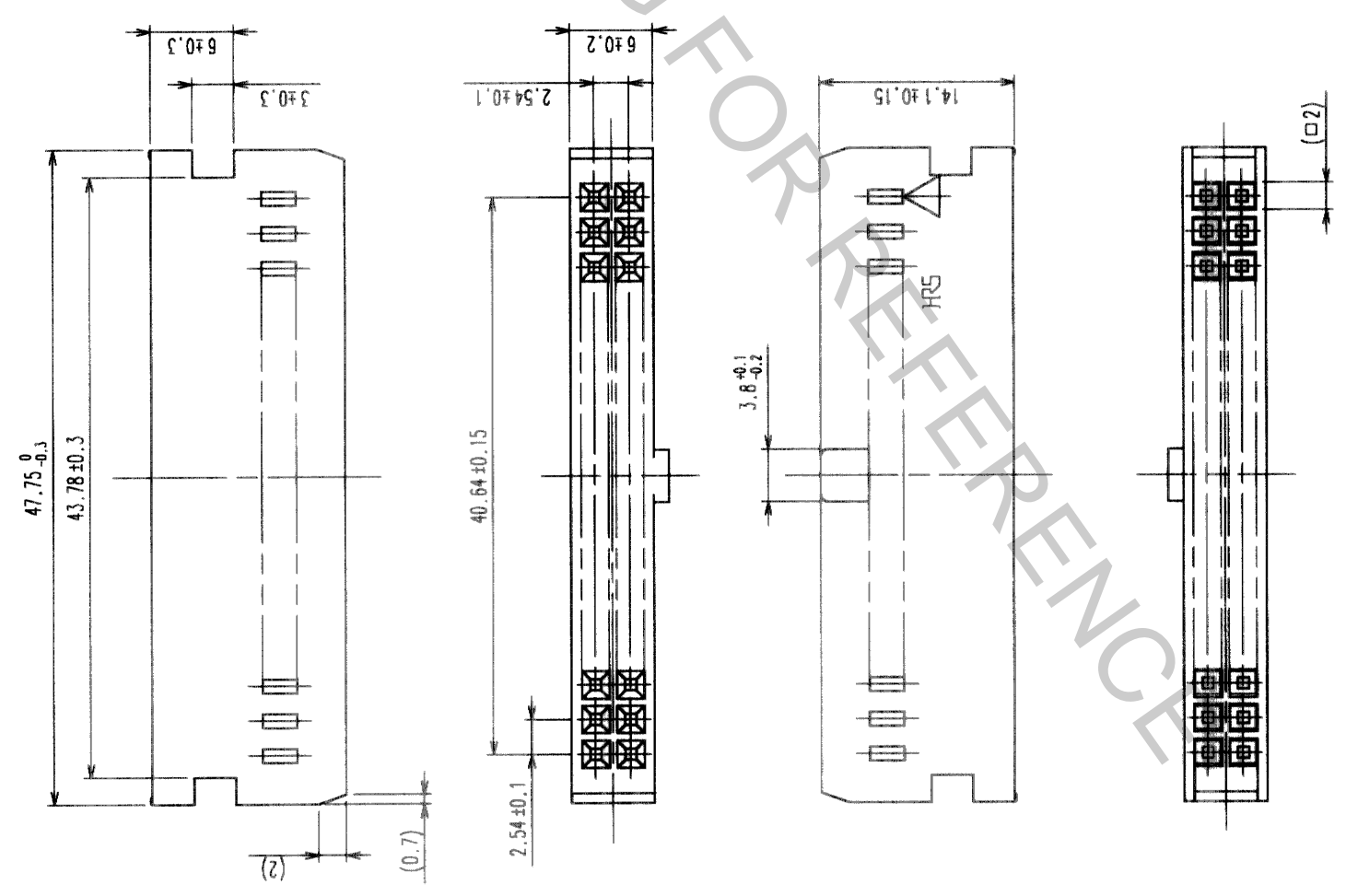


HRS DRAWING FOR REFERENCE



TO	
PCK	

5	6	7	8
COUNT	DESCRIPTION OF REVISIONS	BY	CHKD
DATE	DESCRIPTION OF REVISIONS	BY	CHKD

NO.	MATERIAL	FINISH, REMARKS	NO.	MATERIAL	FINISH, REMARKS
1	PBT	BLACK	1	UL94V-0	

NO.	MATERIAL	FINISH, REMARKS	NO.	MATERIAL	FINISH, REMARKS

DRAWN	DESIGNED	CHECKED	APPROVED	RELEASED
<i>S. Yamada</i>	<i>S. Yamada</i>	<i>H. Okawa</i>	<i>S. Yamada</i>	<i>S. Yamada</i>
00-04-17	00-04-17	00-04-18	00-04-18	00-04-18

DRAWING NO.	PART NO.
EDC3-016428	HIF3C-34D-2.54C

SCALE	UNITS
2 : 1	MM

<b>HRS</b>		HIROSE ELECTRIC CO., LTD	
------------	--	--------------------------	--

1 2 3 4 5 6 7 8