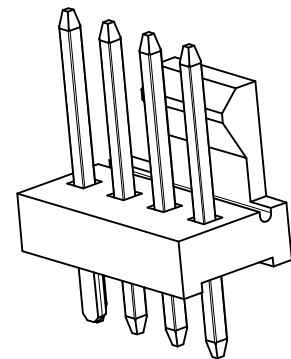
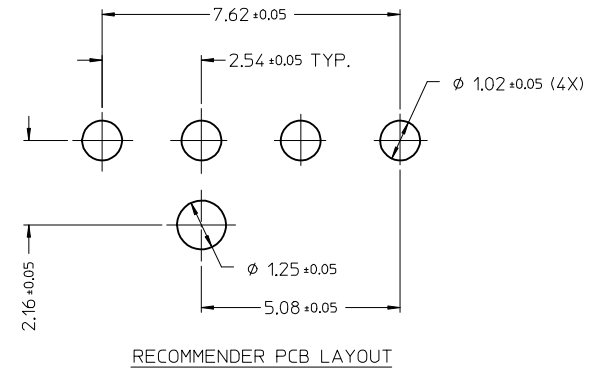
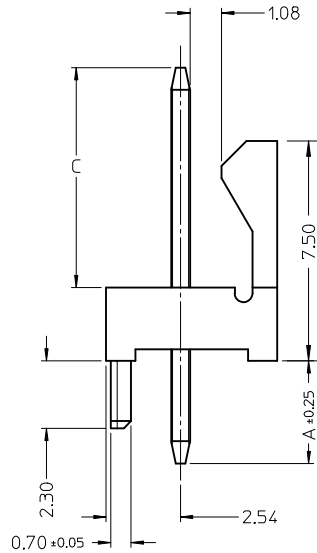
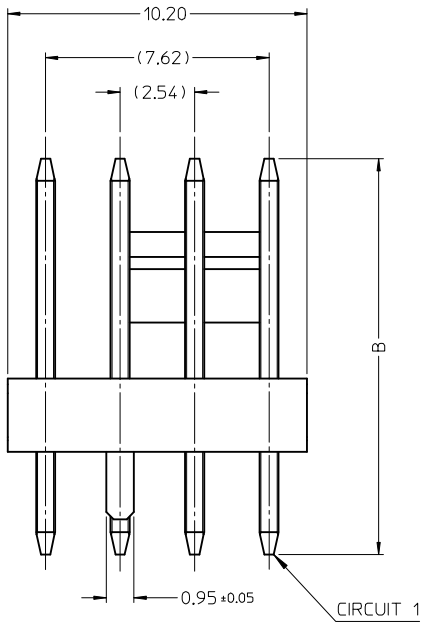


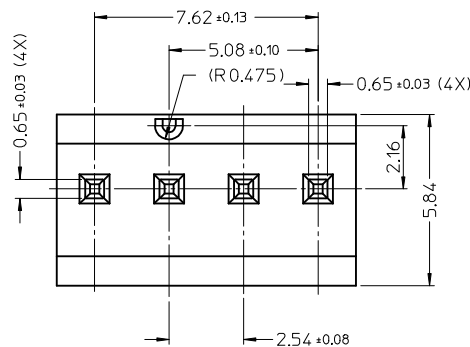
10 9 8 7 6 5 4 3 2 1



P/N	DIM	A	B	C
47053-1000		3.50	13.50	7.50
47053-3000		4.00	13.84	7.34

NOTES:

1. MATERIAL: HOUSING: NYLON, UL94V-0. COLOR: IVORY, PIN: COPPER ALLOY.
2. PLATING: 0.00254 MIN, MATTE TIN OVER 0.00127 MIN. NICKEL
3. PIN PUSH OUT FORCE: 0.91Kgf.
4. PARTS CONFORM TO PRODUCT SPEC PS-47053-001.
5. SOLDERABILITY: PER SMES-152
6. THIS PART CONFORMS TO CLASS B REQUIREMENTS OF COSMETIC SPECIFICATION PS-45499-002



ADD 7.50 DIMENSION EC NO: UCP2013-1809 DRN:MMSTROH 2012/11/06 CHKD:HK(IPPER 2012/11/06 APPR:FSMITH 2012/11/06 C1	QUALITY SYMBOLS	GENERAL TOLERANCES (UNLESS SPECIFIED)	DIMENSION STYLE MM ONLY	SCALE 1:1	DESIGN UNITS METRIC	THIRD ANGLE PROJECTION
	▽=0	mm INCH	DRAWN BY DATE RZHANG 2003/10/31	TITLE 4 PIN HEADER HOUSING WITH FRICTION LOCK		
	▽=0	4 PLACES ± --- ± ---	CHECKED BY DATE HJYIN 2003/10/31			
	▽=0	3 PLACES ± --- ± ---	APPROVED BY DATE SHUANG 2003/10/31	MATERIAL NO.	DOCUMENT NO. SD-47053-001	SHEET NO. 1 OF 1
		ANGULAR ± 3 ° DRAFT WHERE APPLICABLE MUST REMAIN WITHIN DIMENSIONS	SEE TABLE	molex THIS DRAWING CONTAINS INFORMATION THAT IS PROPRIETARY TO MOLEX INCORPORATED AND SHOULD NOT BE USED WITHOUT WRITTEN PERMISSION		

9 8 7 6 5 4 3 2 1