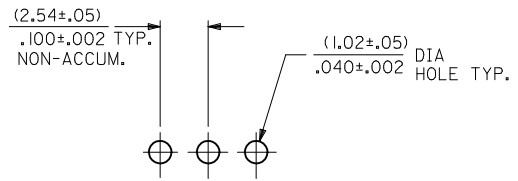
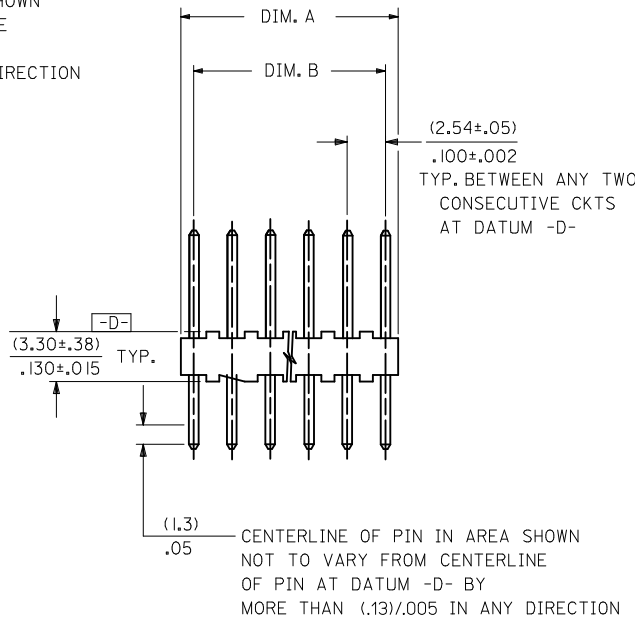
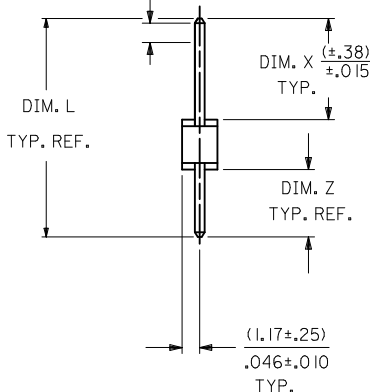


(1.3)
.05 CENTERLINE OF PIN IN AREA SHOWN NOT TO VARY FROM CENTERLINE OF PIN AT DATUM -D- BY MORE THAN (.20)/.008 IN ANY DIRECTION



RECOMMENDED P.C. BOARD HOLE DIMENSIONS

- NOTES:
1. MATERIAL: NYLON, UL94V-0, COLOR: WHITE
 2. FINISH: 102: 0.00508/.000200 MIN TIN OVER 0.00254/.000100 MIN COPPER
501: 0.00051/.000020 MIN GOLD OVER 0.00076/.000030 MIN NICKEL
 3. PARTS CONFORM TO PRODUCT SPECIFICATION PS-10-07.
 4. BULK PACK PER PK-4030-001.
 5. PINS MUST CONFORM TO SOLDERABILITY SPECIFICATION SMES-152.
 6. PIN PUSH OUT FORCE: 2 LBS. MIN.
 7. PARTS ARE STACKABLE END TO END AND SIDE TO SIDE ON (2.54)/.100 CENTERS.
 8. SEE SDA-4030-002 FOR CUSTOMER DEFINED OPTIONS.
 9. THIS PART CONFORMS TO CLASS B REQUIREMENTS OF COSMETIC SPECIFICATION PS-45499-002.

CKTS. NO. OF	DIM. B		DIM. A	
	mm	INCH	mm	INCH
2	.100 ± .002	(2.54 ± .05)	.190 ± .008	(4.83 ± .20)
3	.200 ± .005	(5.08 ± .13)	.290 ± .008	(7.37 ± .20)
4	.300 ± .005	(7.62 ± .13)	.390 ± .008	(9.91 ± .20)
5	.400 ± .005	(10.16 ± .13)	.490 ± .008	(12.45 ± .20)
6	.500 ± .006	(12.70 ± .15)	.590 ± .009	(14.99 ± .23)
7	.600 ± .006	(15.24 ± .15)	.690 ± .009	(17.53 ± .23)
8	.700 ± .006	(17.78 ± .15)	.790 ± .009	(20.07 ± .23)
9	.800 ± .007	(20.32 ± .18)	.890 ± .010	(22.61 ± .25)
10	.900 ± .007	(22.86 ± .18)	.990 ± .010	(25.15 ± .25)
11	1.000 ± .007	(25.40 ± .18)	1.090 ± .010	(27.69 ± .25)
12	1.100 ± .008	(27.94 ± .20)	1.190 ± .011	(30.23 ± .28)
13	1.200 ± .008	(30.48 ± .20)	1.290 ± .011	(32.77 ± .28)
14	1.300 ± .008	(33.02 ± .20)	1.390 ± .011	(35.31 ± .28)
15	1.400 ± .008	(35.56 ± .20)	1.490 ± .011	(37.85 ± .28)
16	1.500 ± .008	(38.10 ± .20)	1.590 ± .011	(40.39 ± .28)
17	1.600 ± .009	(40.64 ± .23)	1.690 ± .012	(42.93 ± .30)
18	1.700 ± .009	(43.18 ± .23)	1.790 ± .012	(45.47 ± .30)
19	1.800 ± .009	(45.72 ± .23)	1.890 ± .012	(48.01 ± .30)
20	1.900 ± .009	(48.26 ± .23)	1.990 ± .012	(50.55 ± .30)
21	2.000 ± .010	(50.80 ± .25)	2.090 ± .013	(53.09 ± .33)
22	2.100 ± .010	(53.34 ± .25)	2.190 ± .013	(55.63 ± .33)
23	2.200 ± .010	(55.88 ± .25)	2.290 ± .013	(58.17 ± .33)
24	2.300 ± .010	(58.42 ± .25)	2.390 ± .013	(60.71 ± .33)
25	2.400 ± .011	(60.96 ± .28)	2.490 ± .014	(63.25 ± .36)
26	2.500 ± .011	(63.50 ± .28)	2.590 ± .014	(65.79 ± .36)
27	2.600 ± .011	(66.04 ± .28)	2.690 ± .014	(68.33 ± .36)
28	2.700 ± .011	(68.58 ± .28)	2.790 ± .014	(70.87 ± .36)

2	CH2
1	CH2
SHJ REV.	

UPDATE NOTES EC NO: UCP2008-0017 DRW:ADERR CHKD:LSCHMIDT APPR:FSMLTH	DESCRIPTION 2007/10/11 2007/10/11 2007/10/12	QUALITY SYMBOLS
		=0 =0
CH2	REV	

GENERAL TOLERANCES (UNLESS SPECIFIED)

	mm	INCH
4 PLACES ±	---	±---
3 PLACES ±	---	±---
2 PLACES ±	---	±---
1 PLACE ±	---	±---

ANGULAR ±1/2°

DRAFT WHERE APPLICABLE MUST REMAIN WITHIN DIMENSIONS

MM/IN

DRAWN BY SAMIEC DATE 1988/06/10

CHECKED BY DATE

PATEL 1988/06/10

APPROVED BY LENZ DATE 1988/06/10

MATERIAL NO. SEE CHART

SIZE C

SCALE --- INCH

DESIGN UNITS INCH

THIRD ANGLE PROJECTION

KK HEADER
(2.54)/.100 CENTERS
STD CATALOG PRODUCTS

MOLEX MOLEX INCORPORATED

DOCUMENT NO. SDA-4030

SHEET NO. 1 OF 2

THIS DRAWING CONTAINS INFORMATION THAT IS PROPRIETARY TO MOLEX INCORPORATED AND SHOULD NOT BE USED WITHOUT WRITTEN PERMISSION

13	12	11	10	9	8	7	6	5	4	3	2	1
ENG. NO.	PIN NO.	DIM. L	DIM. X	DIM. Z	PACKAGE PER	EDP NO. IN COL NO						
A-4030 -NA(102)	2766 -I(102)	.560 (14.22)	.295 (7.49)	.135 (3.43)	PK-4030-001 BULK	1						
A-4030 -NA(50 I)	2766 -I(50 I)	.560 (14.22)	.295 (7.49)	.135 (3.43)	PK-4030-001 BULK	2						
A- -	-	()	()	()								
A- -	-	()	()	()								
A- -	-	()	()	()								
A- -	-	()	()	()								

COLUMN NO. 1		COLUMN NO. 2	
EDP NO.	ENG. NO.	EDP NO.	ENG. NO.
22-03-202 I	A-4030-02A(102)	22-10-202 I	A-4030-02A(50 I)
22-03-203 I	A-4030-03A(102)	22-10-203 I	A-4030-03A(50 I)
22-03-204 I	A-4030-04A(102)	22-10-204 I	A-4030-04A(50 I)
22-03-205 I	A-4030-05A(102)	22-10-205 I	A-4030-05A(50 I)
22-03-206 I	A-4030-06A(102)	22-10-206 I	A-4030-06A(50 I)
22-03-207 I	A-4030-07A(102)	22-10-207 I	A-4030-07A(50 I)
22-03-208 I	A-4030-08A(102)	22-10-208 I	A-4030-08A(50 I)
22-03-209 I	A-4030-09A(102)	22-10-209 I	A-4030-09A(50 I)
22-03-210 I	A-4030-10A(102)	22-10-210 I	A-4030-10A(50 I)
22-03-211 I	A-4030-11A(102)	22-10-211 I	A-4030-11A(50 I)
22-03-212 I	A-4030-12A(102)	22-10-212 I	A-4030-12A(50 I)
22-03-213 I	A-4030-13A(102)	22-10-213 I	A-4030-13A(50 I)
22-03-214 I	A-4030-14A(102)	22-10-214 I	A-4030-14A(50 I)
22-03-215 I	A-4030-15A(102)	22-10-215 I	A-4030-15A(50 I)
22-03-216 I	A-4030-16A(102)	22-10-216 I	A-4030-16A(50 I)
22-03-217 I	A-4030-17A(102)	22-10-217 I	A-4030-17A(50 I)
22-03-218 I	A-4030-18A(102)	22-10-218 I	A-4030-18A(50 I)
22-03-219 I	A-4030-19A(102)	22-10-219 I	A-4030-19A(50 I)
22-03-220 I	A-4030-20A(102)	22-10-220 I	A-4030-20A(50 I)
22-03-221 I	A-4030-21A(102)	22-10-221 I	A-4030-21A(50 I)
22-03-222 I	A-4030-22A(102)	22-10-222 I	A-4030-22A(50 I)
22-03-223 I	A-4030-23A(102)	22-10-223 I	A-4030-23A(50 I)
22-03-224 I	A-4030-24A(102)	22-10-224 I	A-4030-24A(50 I)
22-03-225 I	A-4030-25A(102)	22-10-225 I	A-4030-25A(50 I)
22-03-226 I	A-4030-26A(102)	22-10-226 I	A-4030-26A(50 I)
22-03-227 I	A-4030-27A(102)	22-10-227 I	A-4030-27A(50 I)
22-03-228 I	A-4030-28A(102)	22-10-228 I	A-4030-28A(50 I)

EDP NO.	ENG. NO.	NO OF CKTS	EDP NO.	ENG. NO.	NO OF CKTS
22-03-202 I	A-4030-02A(102)	2	22-10-202 I	A-4030-02A(50 I)	2
22-03-203 I	A-4030-03A(102)	3	22-10-203 I	A-4030-03A(50 I)	3
22-03-204 I	A-4030-04A(102)	4	22-10-204 I	A-4030-04A(50 I)	4
22-03-205 I	A-4030-05A(102)	5	22-10-205 I	A-4030-05A(50 I)	5
22-03-206 I	A-4030-06A(102)	6	22-10-206 I	A-4030-06A(50 I)	6
22-03-207 I	A-4030-07A(102)	7	22-10-207 I	A-4030-07A(50 I)	7
22-03-208 I	A-4030-08A(102)	8	22-10-208 I	A-4030-08A(50 I)	8
22-03-209 I	A-4030-09A(102)	9	22-10-209 I	A-4030-09A(50 I)	9
22-03-210 I	A-4030-10A(102)	10	22-10-210 I	A-4030-10A(50 I)	10
22-03-211 I	A-4030-11A(102)	11	22-10-211 I	A-4030-11A(50 I)	11
22-03-212 I	A-4030-12A(102)	12	22-10-212 I	A-4030-12A(50 I)	12
22-03-213 I	A-4030-13A(102)	13	22-10-213 I	A-4030-13A(50 I)	13
22-03-214 I	A-4030-14A(102)	14	22-10-214 I	A-4030-14A(50 I)	14
22-03-215 I	A-4030-15A(102)	15	22-10-215 I	A-4030-15A(50 I)	15
22-03-216 I	A-4030-16A(102)	16	22-10-216 I	A-4030-16A(50 I)	16
22-03-217 I	A-4030-17A(102)	17	22-10-217 I	A-4030-17A(50 I)	17
22-03-218 I	A-4030-18A(102)	18	22-10-218 I	A-4030-18A(50 I)	18
22-03-219 I	A-4030-19A(102)	19	22-10-219 I	A-4030-19A(50 I)	19
22-03-220 I	A-4030-20A(102)	20	22-10-220 I	A-4030-20A(50 I)	20
22-03-221 I	A-4030-21A(102)	21	22-10-221 I	A-4030-21A(50 I)	21
22-03-222 I	A-4030-22A(102)	22	22-10-222 I	A-4030-22A(50 I)	22
22-03-223 I	A-4030-23A(102)	23	22-10-223 I	A-4030-23A(50 I)	23
22-03-224 I	A-4030-24A(102)	24	22-10-224 I	A-4030-24A(50 I)	24
22-03-225 I	A-4030-25A(102)	25	22-10-225 I	A-4030-25A(50 I)	25
22-03-226 I	A-4030-26A(102)	26	22-10-226 I	A-4030-26A(50 I)	26
22-03-227 I	A-4030-27A(102)	27	22-10-227 I	A-4030-27A(50 I)	27
22-03-228 I	A-4030-28A(102)	28	22-10-228 I	A-4030-28A(50 I)	28

UPDATE TITLE BLOCK EC NO: UCP2008-0017 2007/10/11 DRW:ADERR CHKD:LSCHMIDT APPR:FSMITH 2007/10/12	QUALITY SYMBOLS ▽=0 ▽=0	GENERAL TOLERANCES (UNLESS SPECIFIED) <table border="1"> <tr> <th></th> <th>mm</th> <th>INCH</th> </tr> <tr> <td>4 PLACES</td> <td>± .005</td> <td>± .0004</td> </tr> <tr> <td>3 PLACES</td> <td>± .005</td> <td>± .0004</td> </tr> <tr> <td>2 PLACES</td> <td>± .005</td> <td>± .0004</td> </tr> <tr> <td>1 PLACE</td> <td>± .005</td> <td>± .0004</td> </tr> </table>		mm	INCH	4 PLACES	± .005	± .0004	3 PLACES	± .005	± .0004	2 PLACES	± .005	± .0004	1 PLACE	± .005	± .0004	DIMENSION STYLE IN/MM DRAWN BY DATE SAMIEC 1993/07/15 CHECKED BY DATE PATEL 1993/07/15 APPROVED BY DATE LENZ 1993/07/15	SCALE --- DESIGN UNITS INCH THIRD ANGLE PROJECTION	TITLE KK HEADER (2.54)/.100 CENTERS STD CATALOG PRODUCTS MOLEX INCORPORATED DOCUMENT NO. SDA-4030	SHEET NO. 2 OF 2
		mm	INCH																		
	4 PLACES	± .005	± .0004																		
	3 PLACES	± .005	± .0004																		
2 PLACES	± .005	± .0004																			
1 PLACE	± .005	± .0004																			
MATERIAL NO. SEE CHART	DRAFT WHERE APPLICABLE MUST REMAIN WITHIN DIMENSIONS	SIZE C	THIS DRAWING CONTAINS INFORMATION THAT IS PROPRIETARY TO MOLEX INCORPORATED AND SHOULD NOT BE USED WITHOUT WRITTEN PERMISSION																		