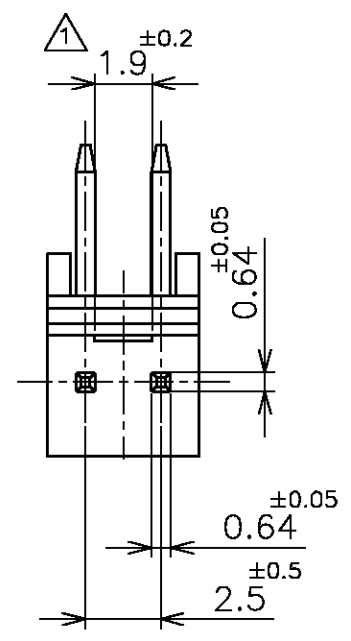
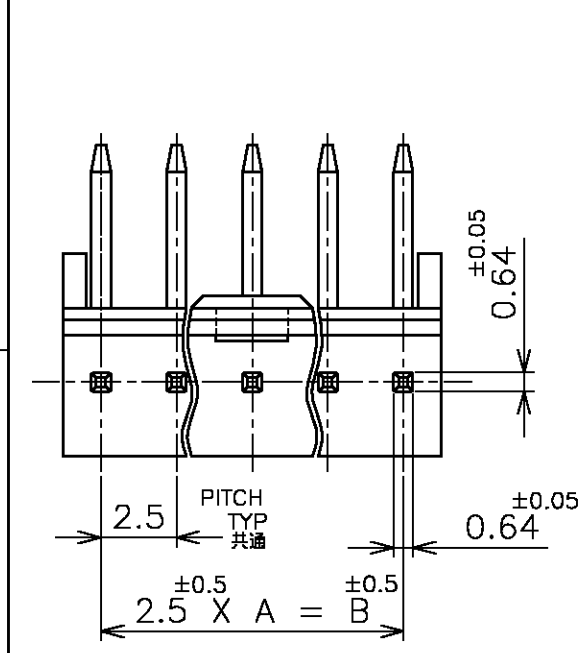
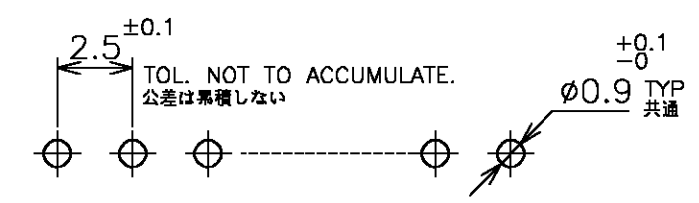
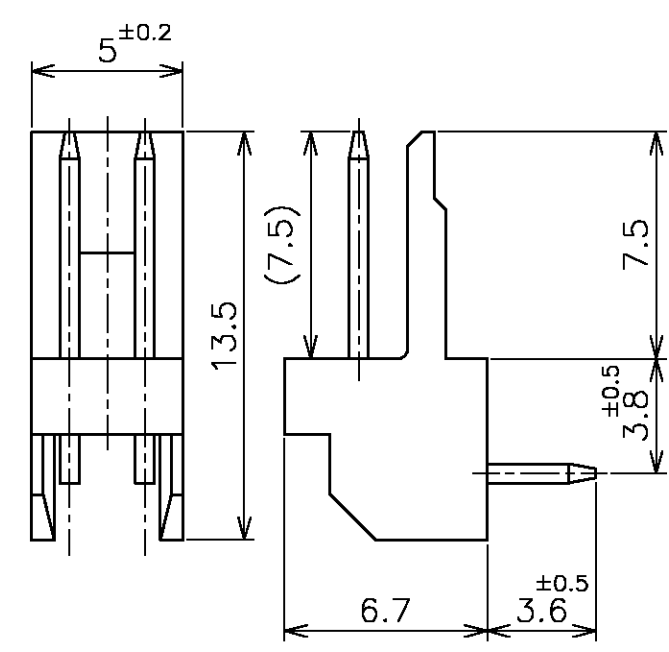
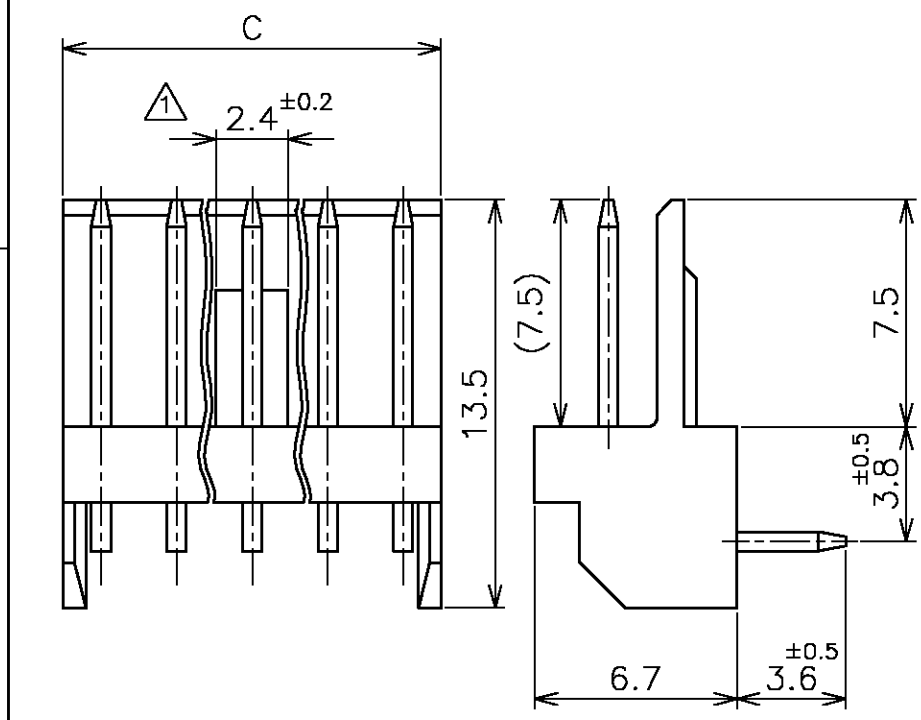


THIS DRAWING IS UNPUBLISHED. RELEASED FOR PUBLICATION MAY, 1977.  
 © COPYRIGHT 1977 BY TYCO ELECTRONICS CORPORATION. ALL RIGHTS RESERVED.

LOC	DIST	REVISIONS					
		P	LTR	DESCRIPTION	DATE	DWN	APVD
J	-	R		REVISED FJBO-0973-03	31MAR03	H.T	I.E



△ LOCKING HOLE IS PLACED ON THE CENTER OF POST HEADER.  
 △ ロッキング凹部位置は長手方向の中央。



RECOMMENDED BOARD LAYOUT (1.6 THK)  
 取付基板寸法(基板厚1.6t)

3~12 POS 極

2 POS 極

30.0	27.5	11	12	9-171826-2	7-171826-2	5-171826-2	3-171826-2	1-171826-2
25.0	22.5	9	10	9- -0	7- -0	5- -0	3- -0	1- -0
22.5	20.0	8	9	8- -9	6- -9	4- -9	2- -9	-9
20.0	17.5	7	8	8- -8	6- -8	4- -8	2- -8	-8
17.5	15.0	6	7	8- -7	6- -7	4- -7	2- -7	-7
15.0	12.5	5	6	8- -6	6- -6	4- -6	2- -6	-6
12.5	10.0	4	5	8- -5	6- -5	4- -5	2- -5	-5
10.0	7.5	3	4	8- -4	6- -4	4- -4	2- -4	-4
7.5	5.0	2	3	8- -3	6- -3	4- -3	2- -3	-3
図示		2	2	8-171826-2	6-171826-2	4-171826-2	2-171826-2	171826-2
±0.2 C	±0.5 B	A	NO OF POS 極数	RED 赤色	GREEN 緑色	BLUE 青色	BLACK 黒色	NATURAL 自然色
PART NUMBER 型番								

THIS DRAWING IS A CONTROLLED DOCUMENT.

DWN	T.DOI	14MAY77	<b>tyco</b> Electronics	Tyco Electronics AMP K.K.	
CHK	H.TAGUCHI	14MAY77		Kawasaki, Japan	
APVD	H.TAGUCHI	14MAY77	NAME	POST HEADER ASSY (HORIZONTAL)	
PRODUCT SPEC	製品規格		DRAWING NO	AMP EI SERIES CONNECTOR	
APPLICATION SPEC	取付適用規格		SIZE	CAGE CODE	RESTRICTED TO
MATERIAL	HSG : 66NYLON UL94V-0	FINISH 仕上	WEIGHT	A3 00779	—
POST: BRASS	POST: TIN-PLATE	SCALE	CUSTOMER DRAWING	C-171826	1 OF 1