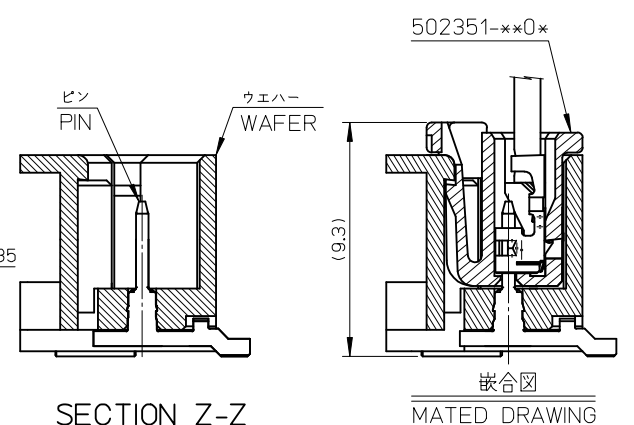
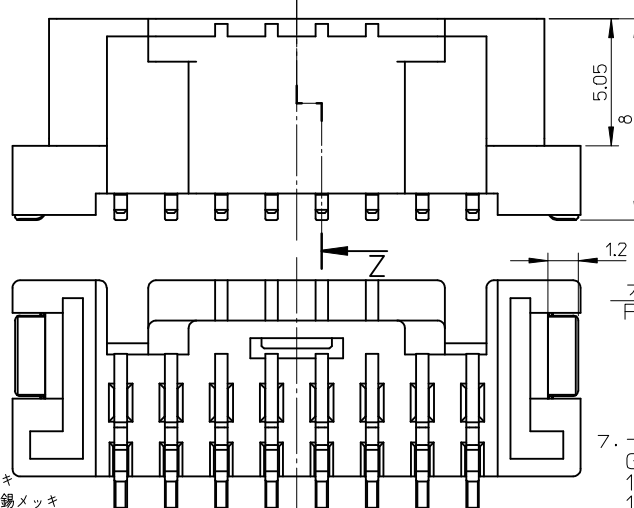


参考基板レイアウト (N=極数)
PCB PATTERN LAYOUT (N:CIRCUIT)



SECTION Z-Z

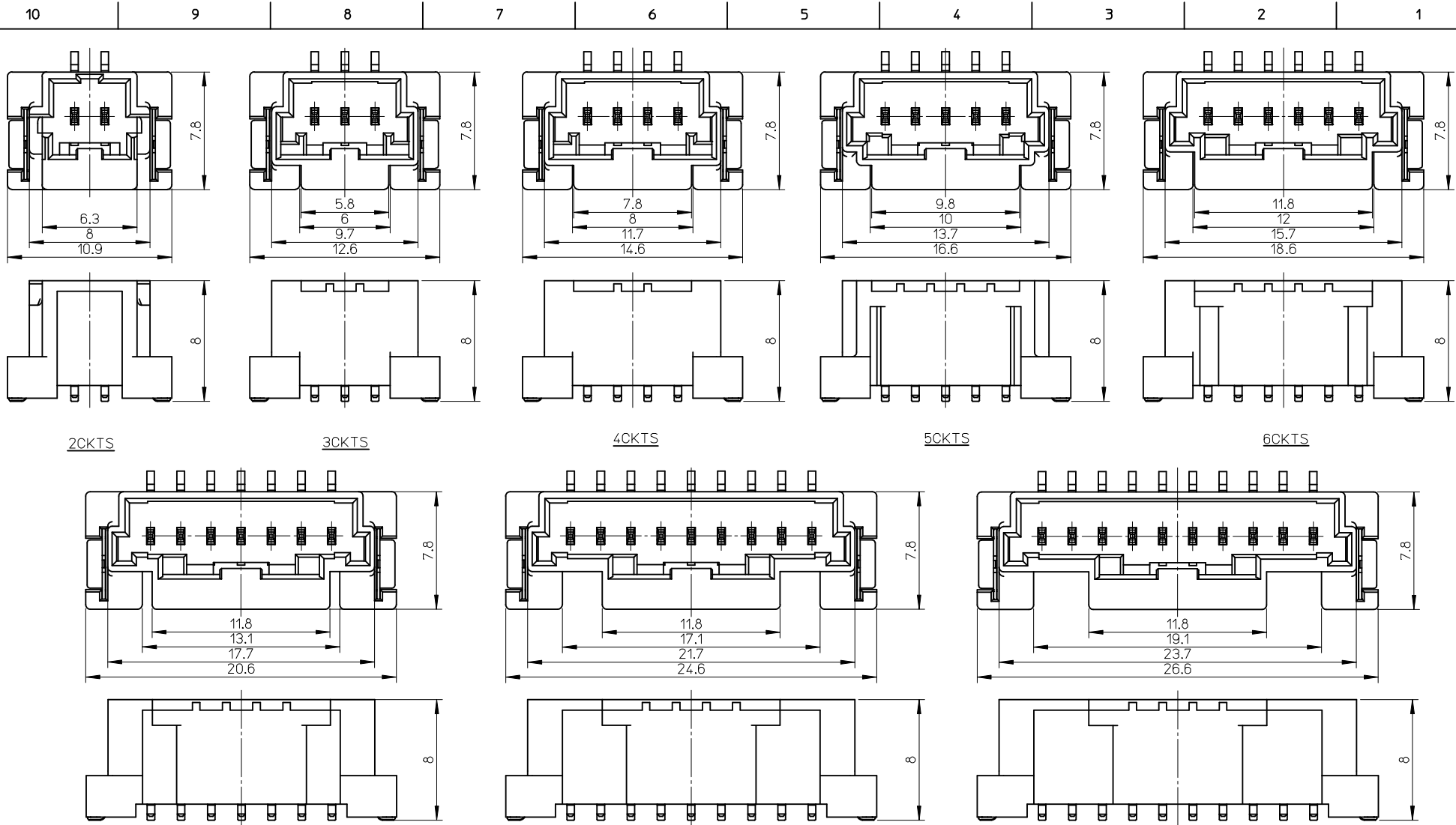
嵌合図
MATED DRAWING

注記
NOTES

- 材質
ウエハー: 耐熱性ナイロン UL94V-0
ピン: 銅合金、ニッケル下地、錫メッキ、金メッキ
フィッティングネール: 銅合金、ニッケル下地、錫メッキ
MATERIAL
WAFER: POLYAMIDE UL94V-0
PIN: COPPER ALLOY, GOLD OR TIN OVER NICKEL PLATE.
FITTING NAIL: COPPER ALLOY, TIN OVER NICKEL PLATE.
- 色: ナチュラル、黒、赤、青
COLOR: NATURAL, BLACK, RED, BLUE
- 嵌合相手:
ハウジング: 502351-xx0*
錫メッキ端子: 50212-8*00, 50372-8*00, 560085-0101
金メッキ端子: 56161-8*81
MATES WITH
HOUSING: 502351-xx0*
SN PLATING TERMINAL: 50212-8*00, 50372-8*00, 560085-0101
AU PLATING TERMINAL: 56161-8*81
- エンボス梱包品の詳細はSD-560020-002参照
DETAILED TAPING PACKAGE, SEE SD-560020-002
- ELV及びRoHS適合
ELV AND ROHS COMPLIANT
- 半田付け面のコプラナリティ: 0.1mm MAX.
CO-PLANARITY OF SOLDER TAILS TO BE 0.1mm MAX.

- 一般公差
GENERAL TOLERANCES
10 UNDER: 0.2
10 OVER 30 UNDER: 0.25
30 OVER: 0.3
ANGULAR ± 1°

REVISED EC NO: JTR2016-0015 DRW: KIKUNAGA I02 2016/03/01 CHK: D: HKOMATSU 2016/03/04 APPR: MAYAMOTO 2016/03/08	QUALITY SYMBOLS F=0 G=0 P=0	GENERAL TOLERANCES (UNLESS SPECIFIED)		DIMENSION STYLE MM ONLY	SCALE 5:1	DESIGN UNITS METRIC	THIRD ANGLE PROJECTION						
		4 PLACES ± --- ± ---	3 PLACES ± --- ± ---	2 PLACES ± --- ± ---	1 PLACE ± --- ± ---	0 PLACE ± --- ± ---	ANGULAR ± - °	DRAFT WHERE APPLICABLE MUST REMAIN WITHIN DIMENSIONS	DRAWN BY SHSHIBATA	DATE 2009/02/18	TITLE 2.0MM PITCH W/B CONN. WAFER ASSY ST. SMT		
		CHECKED BY HKOMATSU		DATE 2009/02/18		APPROVED BY AKANESHIGE		DATE 2009/02/18		MATERIAL NO.		DOCUMENT NO. SD-560020-001	SHEET NO. 1 OF 4
		SIZE A3		THIS DRAWING CONTAINS INFORMATION THAT IS PROPRIETARY TO MOLEX INCORPORATED AND SHOULD NOT BE USED WITHOUT WRITTEN PERMISSION		SEE CHART		moLEX					



2CKTS

3CKTS

4CKTS

5CKTS

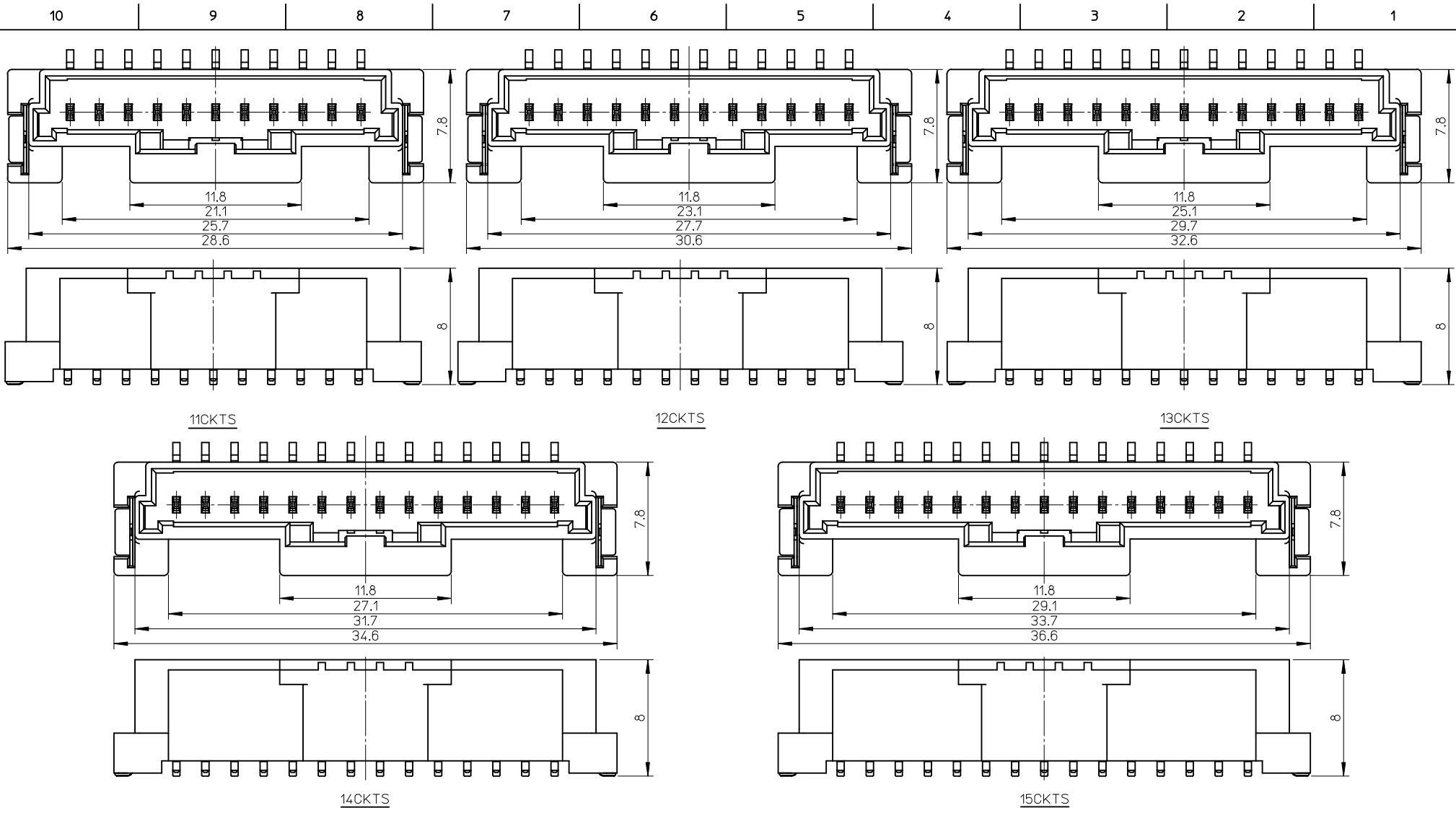
6CKTS

7CKTS

9CKTS

10CKTS

REVISED EC NO: JTR2016-0015 G DRW:KINAGAI02 2016/03/01 CHKD:HKOMATSU 2016/03/04 APPR:KAYAMAMOTO 2016/03/08	QUALITY SYMBOLS $\nabla = 0$ $\nabla = 0$ $\nabla = 0$	GENERAL TOLERANCES (UNLESS SPECIFIED)		DIMENSION STYLE MM ONLY	SCALE 4:1	DESIGN UNITS METRIC	THIRD ANGLE PROJECTION		
		4 PLACES \pm --- \pm --- 3 PLACES \pm --- \pm --- 2 PLACES \pm --- \pm --- 1 PLACE \pm --- \pm --- 0 PLACE \pm --- \pm ---	mm INCH	DRAWN BY SHSHIBATA	DATE 2009/02/18	TITLE 2.0MM PITCH W/B CONN. WAFER ASSY ST. SMT			
		ANGULAR \pm - °		CHECKED BY HKOMATSU	DATE 2009/02/18	molex			
		DRAFT WHERE APPLICABLE MUST REMAIN WITHIN DIMENSIONS		APPROVED BY AKANESHIGE	DATE 2009/02/18	MATERIAL NO.	DOCUMENT NO. SD-560020-001	SHEET NO. 2 OF 4	
SEE CHART		THIS DRAWING CONTAINS INFORMATION THAT IS PROPRIETARY TO MOLEX INCORPORATED AND SHOULD NOT BE USED WITHOUT WRITTEN PERMISSION							



REVISED EC NO: JTR2016-0015 G DRW:KNAGA I02 2016/03/01 CHKD:HKOMATSU 2016/03/04 APPR:MIYAMOTO 2016/03/08	QUALITY SYMBOLS $\nabla \text{F} = 0$ $\nabla \text{G} = 0$ $\nabla \text{P} = 0$	GENERAL TOLERANCES (UNLESS SPECIFIED)		DIMENSION STYLE MM ONLY	SCALE 4:1	DESIGN UNITS METRIC	THIRD ANGLE PROJECTION																		
		<table border="1"> <thead> <tr> <th></th> <th>mm</th> <th>INCH</th> </tr> </thead> <tbody> <tr> <td>4 PLACES</td> <td>± ---</td> <td>± ---</td> </tr> <tr> <td>3 PLACES</td> <td>± ---</td> <td>± ---</td> </tr> <tr> <td>2 PLACES</td> <td>± ---</td> <td>± ---</td> </tr> <tr> <td>1 PLACE</td> <td>± ---</td> <td>± ---</td> </tr> <tr> <td>0 PLACE</td> <td>± ---</td> <td>± ---</td> </tr> </tbody> </table>		mm	INCH	4 PLACES	± ---	± ---	3 PLACES	± ---	± ---	2 PLACES	± ---	± ---	1 PLACE	± ---	± ---	0 PLACE	± ---	± ---	DRAWN BY SHSHIBATA	DATE 2009/02/18	TITLE 2.0MM PITCH W/B CONN. WAFER ASSY ST. SMT		
			mm	INCH																					
		4 PLACES	± ---	± ---																					
3 PLACES	± ---	± ---																							
2 PLACES	± ---	± ---																							
1 PLACE	± ---	± ---																							
0 PLACE	± ---	± ---																							
DRAFT WHERE APPLICABLE MUST REMAIN WITHIN DIMENSIONS	SEE CHART	CHECKED BY HKOMATSU	DATE 2009/02/18	molex																					
MATERIAL NO.	DOCUMENT NO. SD-560020-001	APPROVED BY AKANESHIGE			DATE 2009/02/18	SHEET NO. 3 OF 4																			

	10	9	8	7	6	5	4	3	2	1				
F	Sn NATURAL	11.8	29.1	33.7	36.6	560020-1520	15	Au NATURAL	11.8	29.1	33.7	36.6	560020-1530	15
		11.8	27.1	31.7	34.6	560020-1420	14		11.8	27.1	31.7	34.6	560020-1430	14
		11.8	25.1	29.7	32.6	560020-1320	13		11.8	25.1	29.7	32.6	560020-1330	13
		11.8	23.1	27.7	30.6	560020-1220	12		11.8	23.1	27.7	30.6	560020-1230	12
		11.8	21.1	25.7	28.6	560020-1120	11		11.8	21.1	25.7	28.6	560020-1130	11
		11.8	19.1	23.7	26.6	560020-1020	10		11.8	19.1	23.7	26.6	560020-1030	10
		11.8	17.1	21.7	24.6	560020-0920	9		11.8	17.1	21.7	24.6	560020-0930	9
		11.8	15.1	19.7	22.6	560020-0800/-0820	8		11.8	15.1	19.7	22.6	560020-0830	8
		11.8	13.1	17.7	20.6	560020-0700/-0720	7		11.8	13.1	17.7	20.6	560020-0730	7
		11.8	12	15.7	18.6	560020-0600/-0620	6		11.8	12	15.7	18.6	560020-0630	6
		9.8	10	13.7	16.6	560020-0500/-0520	5		9.8	10	13.7	16.6	560020-0530	5
		7.8	8	11.7	14.6	560020-0400/-0420	4		7.8	8	11.7	14.6	560020-0430	4
5.8	6	9.7	12.6	560020-0300/-0320	3	5.8	6	9.7	12.6	560020-0330	3			
6.3	/	8.0	10.9	560020-0200/-0220	2	6.3	/	8.0	10.9	560020-0230	2			
PLATING	D	C	B	A	EMBOSSED PACKAGE ORDER NO.	CKTS	PLATING	D	C	B	A	EMBOSSED PACKAGE ORDER NO.	CKTS	
CONNECTOR SERIES NO. 560020-**08							CONNECTOR SERIES NO. 560020-**18							

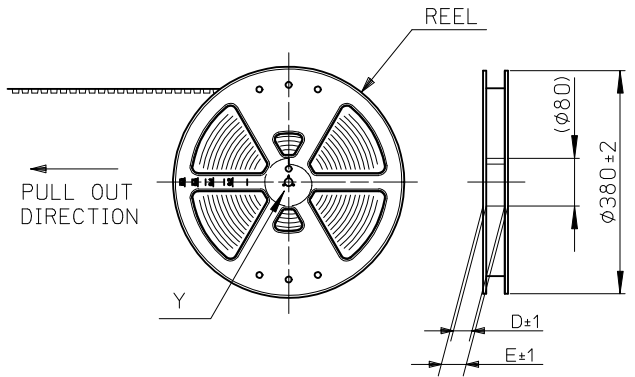
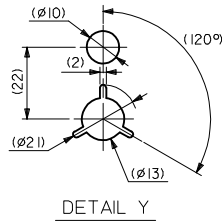
D	Sn BLACK	/	/	/	/	15	
		/	/	/	/	14	
		/	/	/	/	13	
		/	/	/	/	12	
		/	/	/	/	11	
		/	/	/	/	10	
		/	/	/	/	9	
		11.8	15.1	19.7	22.6	560020-0821	8
		/	/	/	/	7	
		11.8	12	15.7	18.6	560020-0621	6
		/	/	/	/	5	
		7.8	8	11.7	14.6	560020-0421	4
5.8	6	9.7	12.6	560020-0321	3		
6.3	/	8.0	10.9	560020-0221	2		
PLATING	D	C	B	A	EMBOSSED PACKAGE ORDER NO.	CKTS	
CONNECTOR SERIES NO. 560020-**28							

C	Sn RED	/	/	/	/	15	
		/	/	/	/	14	
		/	/	/	/	13	
		/	/	/	/	12	
		/	/	/	/	11	
		/	/	/	/	10	
		/	/	/	/	9	
		11.8	15.1	19.7	22.6	560020-0822	8
		/	/	/	/	7	
		11.8	12	15.7	18.6	560020-0622	6
		/	/	/	/	5	
		7.8	8	11.7	14.6	560020-0422	4
5.8	6	9.7	12.6	560020-0322	3		
6.3	/	8.0	10.9	560020-0222	2		
PLATING	D	C	B	A	EMBOSSED PACKAGE ORDER NO.	CKTS	
CONNECTOR SERIES NO. 560020-**48							

B	Sn BLUE	/	/	/	/	15	
		/	/	/	/	14	
		/	/	/	/	13	
		/	/	/	/	12	
		/	/	/	/	11	
		/	/	/	/	10	
		/	/	/	/	9	
		11.8	15.1	19.7	22.6	560020-0823	8
		/	/	/	/	7	
		11.8	12	15.7	18.6	560020-0623	6
		/	/	/	/	5	
		7.8	8	11.7	14.6	560020-0423	4
5.8	6	9.7	12.6	560020-0323	3		
6.3	/	8.0	10.9	560020-0223	2		
PLATING	D	C	B	A	EMBOSSED PACKAGE ORDER NO.	CKTS	
CONNECTOR SERIES NO. 560020-**68							

REVISED G	EC NO: JTR2016-0015	QUALITY SYMBOLS	GENERAL TOLERANCES (UNLESS SPECIFIED)	DIMENSION STYLE	SCALE	DESIGN UNITS	THIRD ANGLE PROJECTION
	DRINKNAGA I02 2016/03/01	$\nabla = 0$	mm INCH	MM ONLY	5:1	METRIC	
	CHKD:HKOMATSU 2016/03/04	$\nabla = 0$	4 PLACES ± --- ± ---	DRAWN BY DATE	TITLE		
	APPR: MAYAMOTO 2016/03/08	$\nabla = 0$	3 PLACES ± --- ± ---	SHSHIBATA 2009/02/18	2.0MM PITCH W/B CONN. WAFER ASSY ST. SMT		
			2 PLACES ± --- ± ---	CHECKED BY DATE	DOCUMENT NO.		
			1 PLACE ± --- ± ---	APPROVED BY DATE	SHEET NO.		
			0 PLACE ± --- ± ---	AKANESHIGE 2009/02/18	SD-560020-001		
			ANGULAR ± - °	MATERIAL NO.	4 OF 4		
			DRAFT WHERE APPLICABLE MUST REMAIN WITHIN DIMENSIONS	SEE CHART	THIS DRAWING CONTAINS INFORMATION THAT IS PROPRIETARY TO MOLEX INCORPORATED AND SHOULD NOT BE USED WITHOUT WRITTEN PERMISSION		
				SIZE A3			

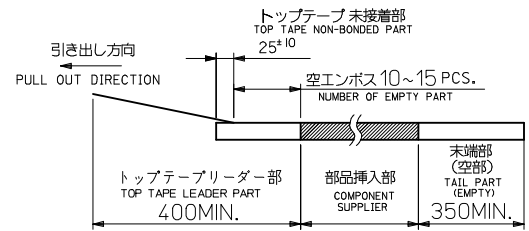
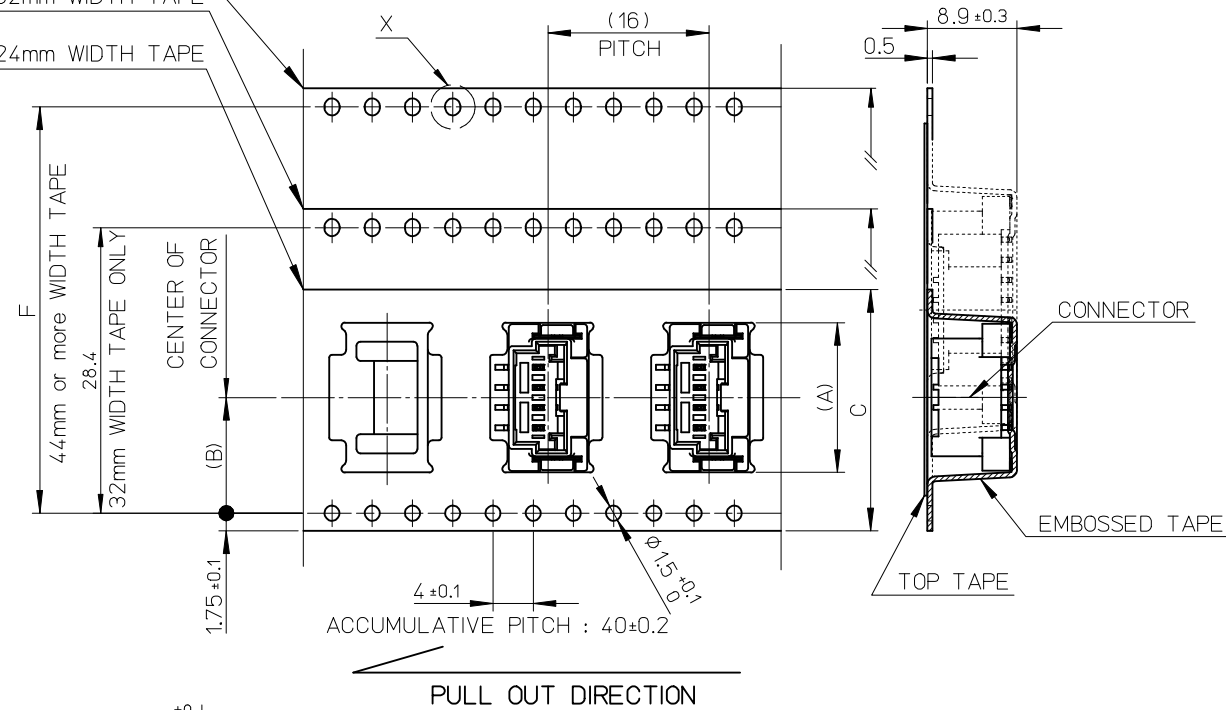
10 9 8 7 6 5 4 3 2 1



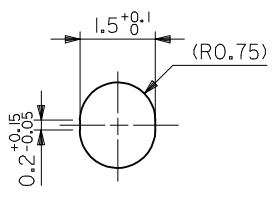
NOTES

- 製品番号:
 ナチュラル・錫めっき 560020-**20
 ナチュラル・金めっき 560020-**30
 黒・錫めっき 560020-**21
 赤・錫めっき 560020-**22
 青・錫めっき 560020-**23
 詳細寸法については、製品単体図面を参照ください。
 PART NO.
 NATURAL・Sn Plating 5600020-**20
 NATURAL・Au Plating 560020-**30
 BLACK・Sn Plating 5600020-**21
 RED・Sn Plating 5600020-**22
 BLUE・Sn Plating 5600020-**23
 SEE SALES DRAWING FOR CONNECTOR
- 梱包数量: 650個/REEL
 NUMBER OF CONNECTORS 650 PCS/REEL
- リードテープ長さ
 LEAD TAPE LENGTH

44mm or more
WIDTH TAPE
32mm WIDTH TAPE
24mm WIDTH TAPE



- 材料
 MATERIAL
 キャリアテープ: ポリスチレン
 CARRIER TAPE: POLYSTYRENE
 トップテープ: PET, PE, PEF
 TOP TAPE
 リール: ポリスチレン
 REEL: POLYSTYRENE
- 一般公差
 GENERAL TOLERANCES
 10 UNDER: 0.2
 10 OVER 30 UNDER: 0.25
 30 OVER: 0.3
 ANGULAR: ±1°



DETAIL X
(SCALE 10:1)

DIRECTION OF CONNECTOR IN EMBOSSED TAPE

REVISED EC NO: JTR2016-0015 DRWN:KINAGA I02 2016/03/01 CHKD:HKOMATSU 2016/03/04 APPR: MAYAMAMOTO 2016/03/08	QUALITY SYMBOLS F ₁ = 0 F ₂ = 0 F ₃ = 0	GENERAL TOLERANCES (UNLESS SPECIFIED)		DIMENSION STYLE MM ONLY	SCALE 2:1	DESIGN UNITS METRIC	THIRD ANGLE PROJECTION				
		4 PLACES ± --- ± ---	3 PLACES ± --- ± ---	2 PLACES ± --- ± ---	1 PLACE ± --- ± ---	0 PLACE ± --- ± ---	ANGULAR ± - °	DRAFT WHERE APPLICABLE MUST REMAIN WITHIN DIMENSIONS	DRAWN BY YTAMAKI	DATE 2014/05/23	TITLE 2.0MM PITCH W/B ST. WAFER ASSY EMBOSSED TAPE PACKAGE
		mm	INCH	CHECKED BY HKOMATSU	DATE 2014/05/23	APPROVED BY MAYAMAMOTO	DATE 2014/06/30	MATERIAL NO. SEE CHART	DOCUMENT NO. SD-560020-003	SHEET NO. 1 OF 2	
		THIS DRAWING CONTAINS INFORMATION THAT IS PROPRIETARY TO MOLEX INCORPORATED AND SHOULD NOT BE USED WITHOUT WRITTEN PERMISSION									

9 8 7 6 5 4 3 2 1

	10	9				8			7	6				5			4		3		2		1				
F	Sn NATURAL	52.4	61.4	57.4	56	26.2	36.9	560020-1520	15	Au NATURAL	52.4	61.4	57.4	56	26.2	36.9	560020-1530	15	PLATING	F	E	D	C	(B)	(A)	エンボス梱包品 製品番号 MATERIAL NO.	CIRCUITS
		40.4	49.4	45.4	44	20.2	34.9	560020-1420	14							34.9	560020-1430	14									
							32.9	560020-1320	13							32.9	560020-1330	13									
							30.9	560020-1220	12							30.9	560020-1230	12									
							28.9	560020-1120	11							28.9	560020-1130	11									
							26.9	560020-1020	10							26.9	560020-1030	10									
							24.9	560020-0920	09							24.9	560020-0930	09									
							22.9	560020-0820	08							22.9	560020-0830	08									
							20.9	560020-0720	07							20.9	560020-0730	07									
E	PLATING	28.4	37.4	33.4	32	14.2	18.9	560020-0620	06	PLATING	28.4	37.4	33.4	32	14.2	18.9	560020-0630	06	F	E	D	C	(B)	(A)	エンボス梱包品 製品番号 MATERIAL NO.	CIRCUITS	
		/	29.4	25.4	24	11.5	16.9	560020-0520	05		/	29.4	25.4	24	11.5	16.9	560020-0530	05									
							14.9	560020-0420	04							14.9	560020-0430	04									
							12.9	560020-0320	03							12.9	560020-0330	03									
							11.2	560020-0220	02							11.2	560020-0230	02									

D	Sn BLACK	/	/	/	/	/	/	/	15	Sn RED	/	/	/	/	/	/	/	15	Sn BLUE	/	/	/	/	/	/	/	/	15				
		40.4	49.4	45.4	44	20.2					14	40.4	49.4	45.4	44	20.2					14	40.4	49.4	45.4	44	20.2				14		
											13											13										13
											12											12										12
											11											11										11
											10											10										10
											09											09										09
									22.9		560020-0821	08						22.9		560020-0822	08									22.9	560020-0823	08
											07											07										07
C	PLATING	28.4	37.4	33.4	32	14.2	18.9	560020-0621	06	PLATING	28.4	37.4	33.4	32	14.2	18.9	560020-0622	06	PLATING	28.4	37.4	33.4	32	14.2	18.9	560020-0623	06					
									05											05											05	
		/	29.4	25.4	24	11.5	14.9	560020-0421	04		/	29.4	25.4	24	11.5	14.9	560020-0422	04		/	29.4	25.4	24	11.5	14.9	560020-0423	04					
							12.9	560020-0321	03								12.9	560020-0322		03							12.9	560020-0323	03			
							11.2	560020-0221	02								11.2	560020-0222		02							11.2	560020-0223	02			

REVISED EC NO: JTR2016-0015 DRAWN: KAGAWA I 2016/03/01 CHKD: KOMATSU 2016/03/04 APPR: MAYAMOTO 2016/03/08	QUALITY SYMBOLS F/A=0 F/G=0 F/P=0	GENERAL TOLERANCES (UNLESS SPECIFIED)		DIMENSION STYLE MM ONLY		SCALE 2:1	DESIGN UNITS METRIC	THIRD ANGLE PROJECTION		
		mm	INCH	DRAWN BY YTAMAKI	DATE 2014/05/23	TITLE 2.0MM PITCH W/B ST. WAFER ASSY EMBOSSED TAPE PACKAGE				
		4 PLACES ± --- ± ---		CHECKED BY HKOMATSU		DATE 2014/05/23		molex		
3 PLACES ± --- ± ---		APPROVED BY MAYAMOTO		DATE 2014/06/30						
2 PLACES ± --- ± ---		MATERIAL NO. SD-560020-003		DOCUMENT NO. SD-560020-003		SHEET NO. 2 OF 2		THIS DRAWING CONTAINS INFORMATION THAT IS PROPRIETARY TO MOLEX INCORPORATED AND SHOULD NOT BE USED WITHOUT WRITTEN PERMISSION		
1 PLACE ± --- ± ---		SEE CHART		SIZE A3						
0 PLACE ± --- ± ---		ANGULAR ± °								
		DRAFT WHERE APPLICABLE MUST REMAIN WITHIN DIMENSIONS								