

嵌合図 MATED CONNECTORS  
(SCALE : 2-1)

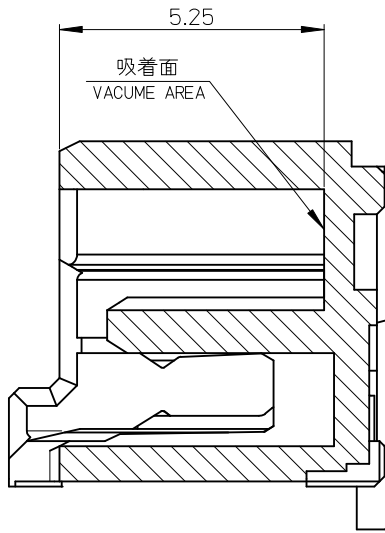
NOTES

1. 嵌合相手 : 502439-\*\*00  
MATE WITH : 502439-\*\*00
2. 端子テール部 及び ネイルの平坦度 : 0.1MAX.  
TAIL AND NAIL COPLANARITY TO BE 0.1 MAX.
- ③ 極数 / 2 = 偶数に適用。  
APPLY FOR CKT. SIZE / 2 = EVEN.
4. 端子テール部 及び ネイルに錫めっきを使用しているため、  
外観に摺動痕が付く場合がございます。  
THE WOUND OF FRICTION MIGHT ADHERE TO EXTERNALS  
BECAUSE THE TIN PLATING IS USED FOR THE TAIL AND NAIL.
5. 本製品のプラスチック部に黒点等が確認される場合や  
色合いが異なる場合がありますが、製品性能に影響はありません。  
THERE IS NO INFLUENCE IN THE PRODUCT PERFORMANCE THOUGH  
THE BLACK SPOT ETC. MIGHT BE CONFIRMED TO THE PLASTIC PART  
OF THIS PRODUCT AND THE SHADE MIGHT BE DIFFERENT.

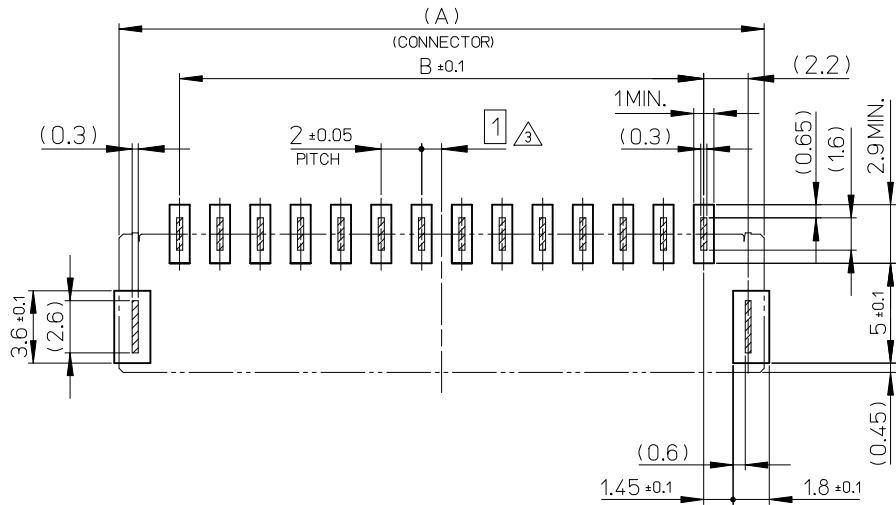
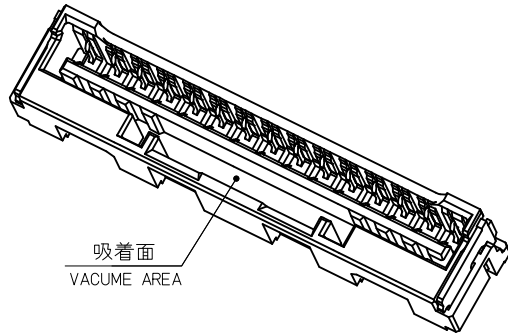
16	32	28	34	502443-1570	15
12	30	26	32	502443-1470	14
12	28	24	30	502443-1370	13
12	26	22	28	502443-1270	12
12	20	16	22	502443-0970	9
12	18	14	20	502443-0870	8
10	16	12	18	502443-0770	7
8	14	10	16	502443-0670	6
6	12	8	14	502443-0570	5
4	10	6	12	502443-0470	4

番号 NO.	部品 PART	材質 MATERIAL
①	ハウジング HOUSING	耐熱性樹脂 UL94V-0 色 : ナチュラル HEATPROOF RESIN UL94V-0 COLOR:NATURAL
②	ターミナル TERMINAL	銅合金 COPPER ALLOY
		錫めっき : 1.0 micro-meter MIN. TIN (TAIL AREA)
		ニッケルめっき(下地) : 1.0 micro-meter MIN. NICKEL (UNDER PLATING)
③	ネイル NAIL	銅合金 COPPER ALLOY
		錫めっき : 1.0 micro-meter MIN. TIN
		ニッケルめっき(下地) : 1.0 micro-meter MIN. NICKEL (UNDER PLATING)

REVISED EC NO: J2014-0446 DRWN: NITO 2013/02/25 CHKD: KASAKAWA 2013/09/10 APPR: NUKITA 2013/09/10	DESCRIPTION J	GENERAL TOLERANCES (UNLESS SPECIFIED)		DIMENSION STYLE MM ONLY		SCALE 4:1	DESIGN UNITS METRIC	THIRD ANGLE PROJECTION		
		10 UNDER	±0.2	DRAWN BY NITO	DATE 2006/12/12	TITLE 2.0 W/B CONN. SINGLE S/T REC. ASSY				
		10 OVER 30 UNDER	±0.25	CHECKED BY KASAKAWA	DATE 2006/12/12					
		30 OVER	±0.3	APPROVED BY YOITO	DATE 2006/12/12					
ANGULAR ±3 °		DRAFT WHERE APPLICABLE MUST REMAIN WITHIN DIMENSIONS		MATERIAL NO. SEE TABLE		DOCUMENT NO. SD-502443-002		SHEET NO. 1 OF 2		
SIZE A3 THIS DRAWING CONTAINS INFORMATION THAT IS PROPRIETARY TO MOLEX INCORPORATED AND SHOULD NOT BE USED WITHOUT WRITTEN PERMISSION										



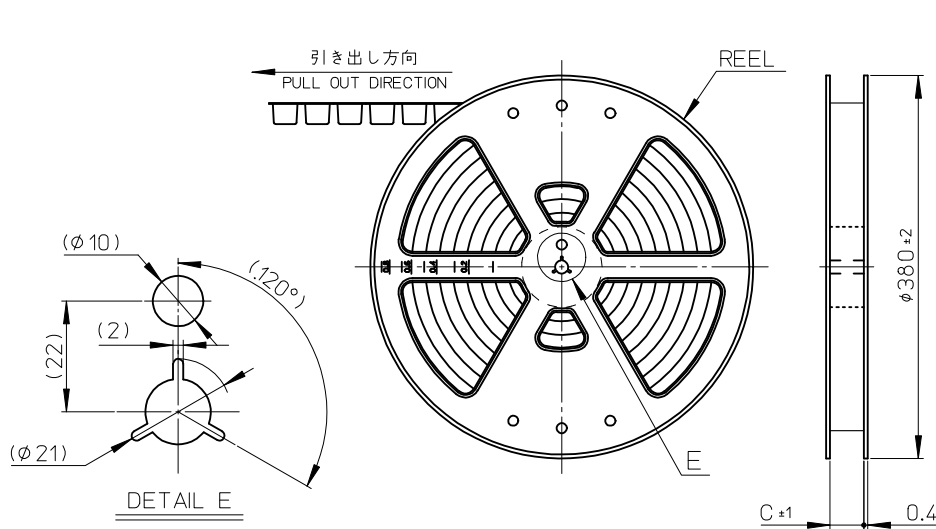
SECTION Y-Y  
(SCALE:10-1)



基板パターンレイアウト(参考)  
RECOMMENDED P.C.B. PATTERN LAYOUT (REF.)

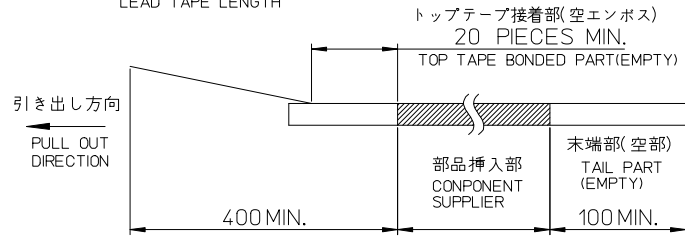
REVISED EC NO: J2014-0446 DRWN: NITO 2013/02/25 CHKD: KASAKAWA 2013/09/10 APPR: NUKITA 2013/09/10	GENERAL TOLERANCES (UNLESS SPECIFIED)		DIMENSION STYLE MM ONLY	SCALE 4:1	DESIGN UNITS METRIC	THIRD ANGLE PROJECTION
	10 UNDER	±0.2	DRAWN BY NITO	DATE 2006/12/12	TITLE 2.0 W/B CONN. SINGLE S/T REC. ASSY	
	10 OVER 30 UNDER	±0.25	CHECKED BY KASAKAWA	DATE 2006/12/12		
	30 OVER	±0.3	APPROVED BY YOITO	DATE 2006/12/12	<b>molex</b> DOCUMENT NO. SD-502443-002 SHEET NO. 2 OF 2	
ANGULAR ±3 °		MATERIAL NO. SEE TABLE				
J	DESCRIPTION DRAFT WHERE APPLICABLE MUST REMAIN WITHIN DIMENSIONS	SIZE A3		THIS DRAWING CONTAINS INFORMATION THAT IS PROPRIETARY TO MOLEX INCORPORATED AND SHOULD NOT BE USED WITHOUT WRITTEN PERMISSION		

10 9 8 7 6 5 4 3 2 1

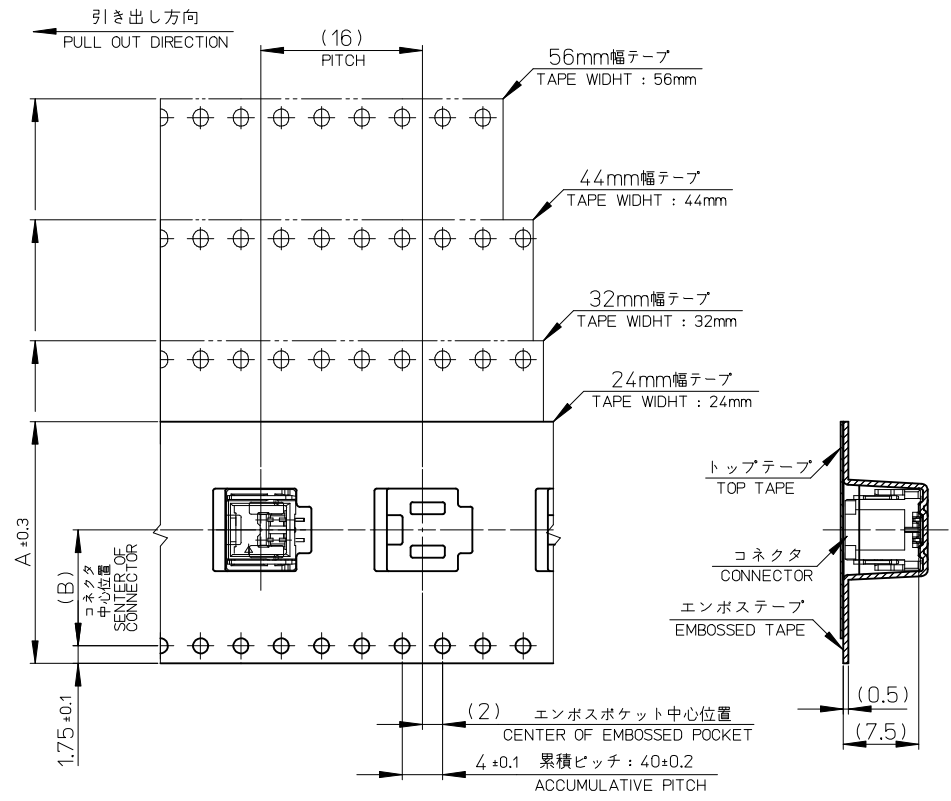


**NOTES**

- 製品詳細寸法については、SD-502443-002を参照下さい。  
PLEASE REFER TO SD-502443-002 FOR THE DETAILED DIMENSION OF THE CONNECTOR.
- 梱包数量：650個  
NUMBER OF CONNECTIONS：650 PIECES/REEL.
- リードテープ長さ  
LEAD TAPE LENGTH



- 材料  
MATERIAL  
キャリアテープ：ポリスチレン  
CARRIER TAPE：POLYSTYRENE  
トップテープ：ポリエステル、ポリエチレン、ポリエチレンテレフタレート  
TOP TAPE：POLYESTER, POLYETHYLENE, POLYETHYLENE TEREPHTHALATE  
リール：ポリスチレン <リサイクル材を含む>  
REEL：POLYSTYRENE <RECYCLE MATERIAL CONTAINED>
- ELV 及び RoHS 適合品  
ELV AND RoHS COMPLIANT



57.5	26.2	56	502443-1570	15
57.5	26.2	56	502443-1470	14
45.5	20.2	44	502443-1370	13
45.5	20.2	44	502443-1270	12
45.5	20.2	44	502443-0970	9
45.5	20.2	44	502443-0870	8
33.5	14.2	32	502443-0770	7
33.5	14.2	32	502443-0670	6
25.5	11.5	24	502443-0570	5
25.5	11.5	24	502443-0470	4
C	B	エンボステープ幅 A WIDTH OF TAPE	製品番号 MATERIAL NO.	極数 CXT. NO.

REVISED EC NO: J2014-0446 2013/02/25 DRWN: NITO CHKD: KASAKAWA 2013/09/10 APPR: NUKITA 2013/09/10	GENERAL TOLERANCES (UNLESS SPECIFIED)		DIMENSION STYLE MM ONLY		SCALE ---	DESIGN UNITS METRIC	THIRD ANGLE PROJECTION
	10 UNDER	±0.2	DRAWN BY NITO	DATE 2006/12/14	TITLE EMBOSSSED TAPE PACKAGE FOR 502443  <b>molex</b> DOCUMENT NO. SD-502443-003 SHEET NO. 1 OF 1		
	10 OVER 30 UNDER	±0.25	CHECKED BY KASAKAWA	DATE 2006/12/14			
	30 OVER	±0.3	APPROVED BY YOITO	DATE 2006/12/14			
ANGULAR ±3 °		MATERIAL NO.	SEE TABLE				
DRAFT WHERE APPLICABLE MUST REMAIN WITHIN DIMENSIONS		SIZE A3	THIS DRAWING CONTAINS INFORMATION THAT IS PROPRIETARY TO MOLEX INCORPORATED AND SHOULD NOT BE USED WITHOUT WRITTEN PERMISSION				

9 8 7 6 5 4 3 2