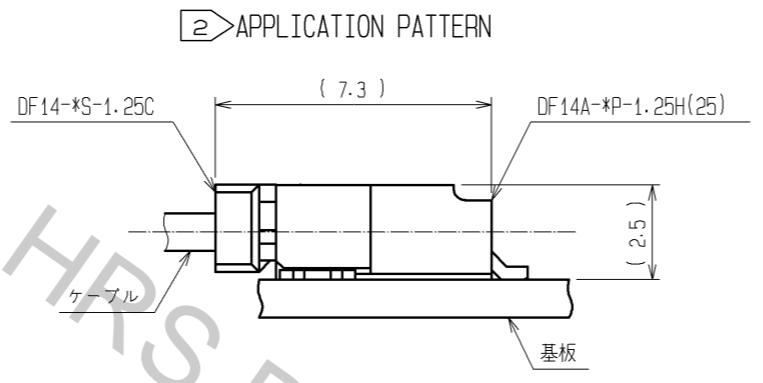
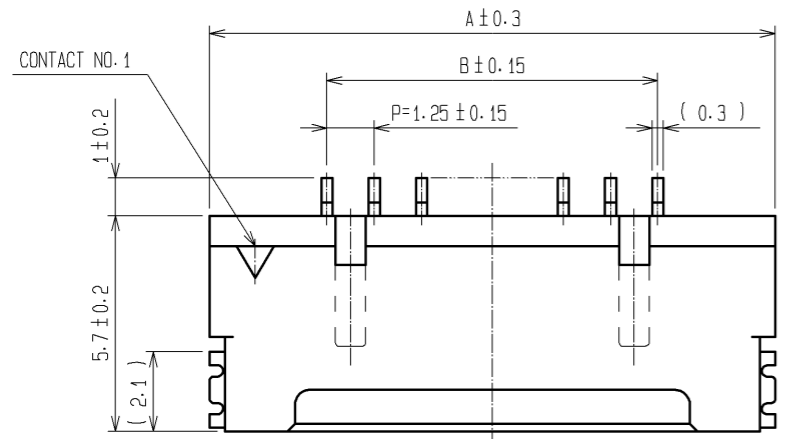
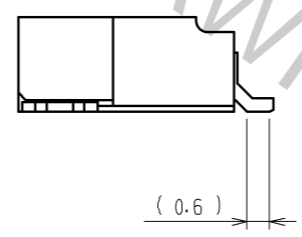
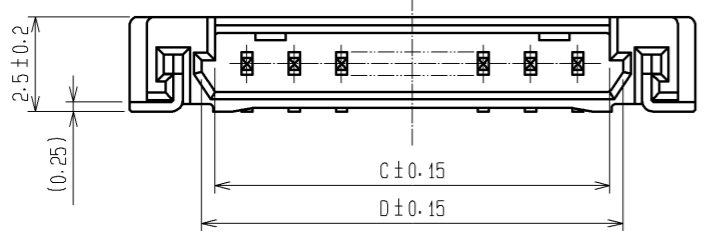


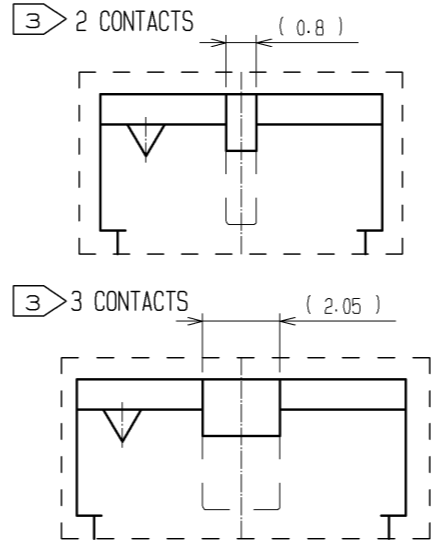
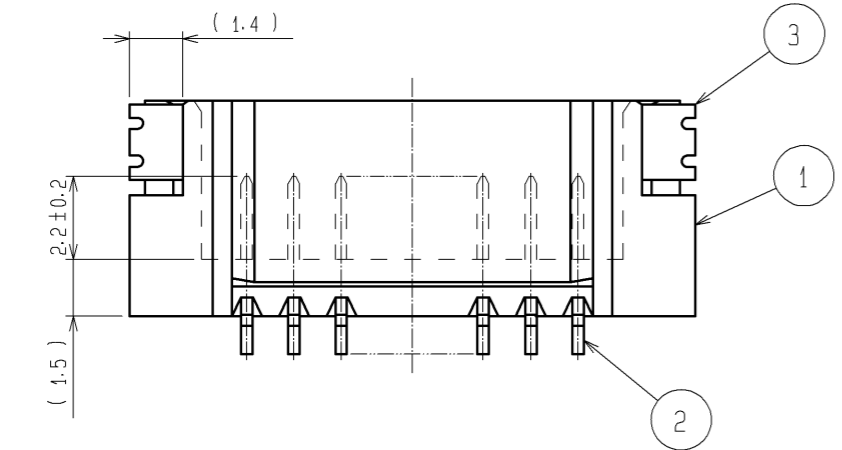
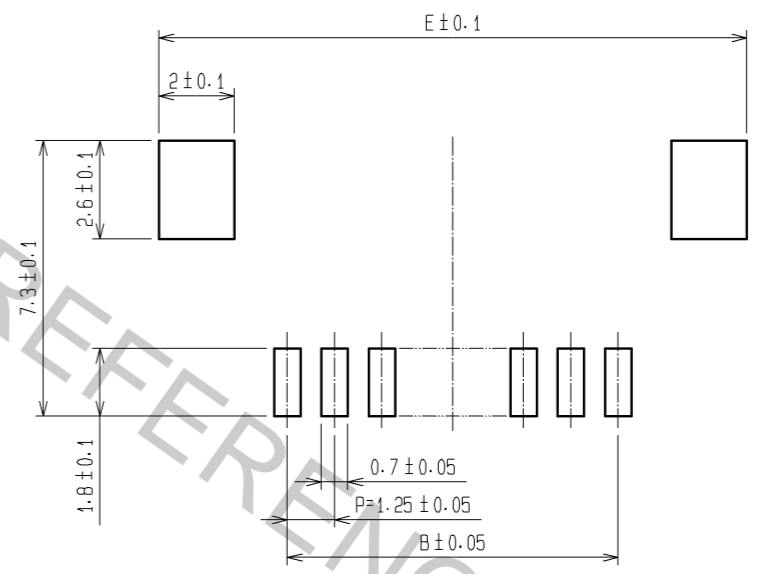
Jan.1.2017 Copyright 2017 HIROSE ELECTRIC CO., LTD. All Rights Reserved.



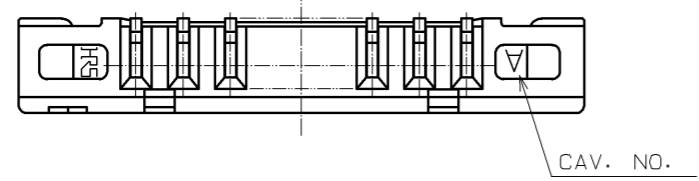
| PART NO. | HRS NO. | CONTACTS | A | B | C | D | E |
|---------------------|-----------------|----------|-------|-------|-------|-------|-------|
| DF14A- 2P-1.25H(25) | CL538-0033-3-25 | 2 | 7.45 | 1.25 | 2.95 | 3.65 | 8.05 |
| DF14A- 3P-1.25H(25) | CL538-0034-6-25 | 3 | 8.70 | 2.50 | 4.20 | 4.90 | 9.30 |
| DF14A- 4P-1.25H(25) | CL538-0035-9-25 | 4 | 9.95 | 3.75 | 5.45 | 6.15 | 10.55 |
| DF14A- 5P-1.25H(25) | CL538-0036-1-25 | 5 | 11.20 | 5.00 | 6.70 | 7.40 | 11.80 |
| DF14A- 6P-1.25H(25) | CL538-0037-4-25 | 6 | 12.45 | 6.25 | 7.95 | 8.65 | 13.05 |
| DF14A- 7P-1.25H(25) | CL538-0038-7-25 | 7 | 13.70 | 7.50 | 9.20 | 9.90 | 14.30 |
| DF14A- 8P-1.25H(25) | CL538-0039-0-25 | 8 | 14.95 | 8.75 | 10.45 | 11.15 | 15.55 |
| DF14A- 9P-1.25H(25) | CL538-0040-9-25 | 9 | 16.20 | 10.00 | 11.70 | 12.40 | 16.80 |
| DF14A-10P-1.25H(25) | CL538-0041-1-25 | 10 | 17.45 | 11.25 | 12.95 | 13.65 | 18.05 |
| DF14A-15P-1.25H(25) | CL538-0114-3-25 | 15 | 23.70 | 17.50 | 19.20 | 19.90 | 24.30 |
| DF14A-20P-1.25H(25) | CL538-0119-7-25 | 20 | 29.95 | 23.75 | 25.45 | 26.15 | 30.55 |
| DF14A-25P-1.25H(25) | CL538-0124-7-25 | 25 | 36.20 | 30.00 | 31.70 | 32.40 | 36.80 |
| DF14A-30P-1.25H(25) | CL538-0045-2-25 | 30 | 42.45 | 36.25 | 37.95 | 38.65 | 43.05 |



RECOMMENDED PATTERN



NOTE 1. LEAD CO-PLANALITY INCLUDE REINFORCED METAL FITTINGS SHALL BE 0.1 MAX.
 2 WHEN THIS CONNECTOR MATES WITH DF14-*S-1.25C, THE MATTING LENGTH IS 7.3mm.
 3 FOR CONNECTORS, 2 OR 3 CONTACTS, SIMPLIFIED LOCK HOLE SHALL BE SET AT THE CENTER OF HOUSING.

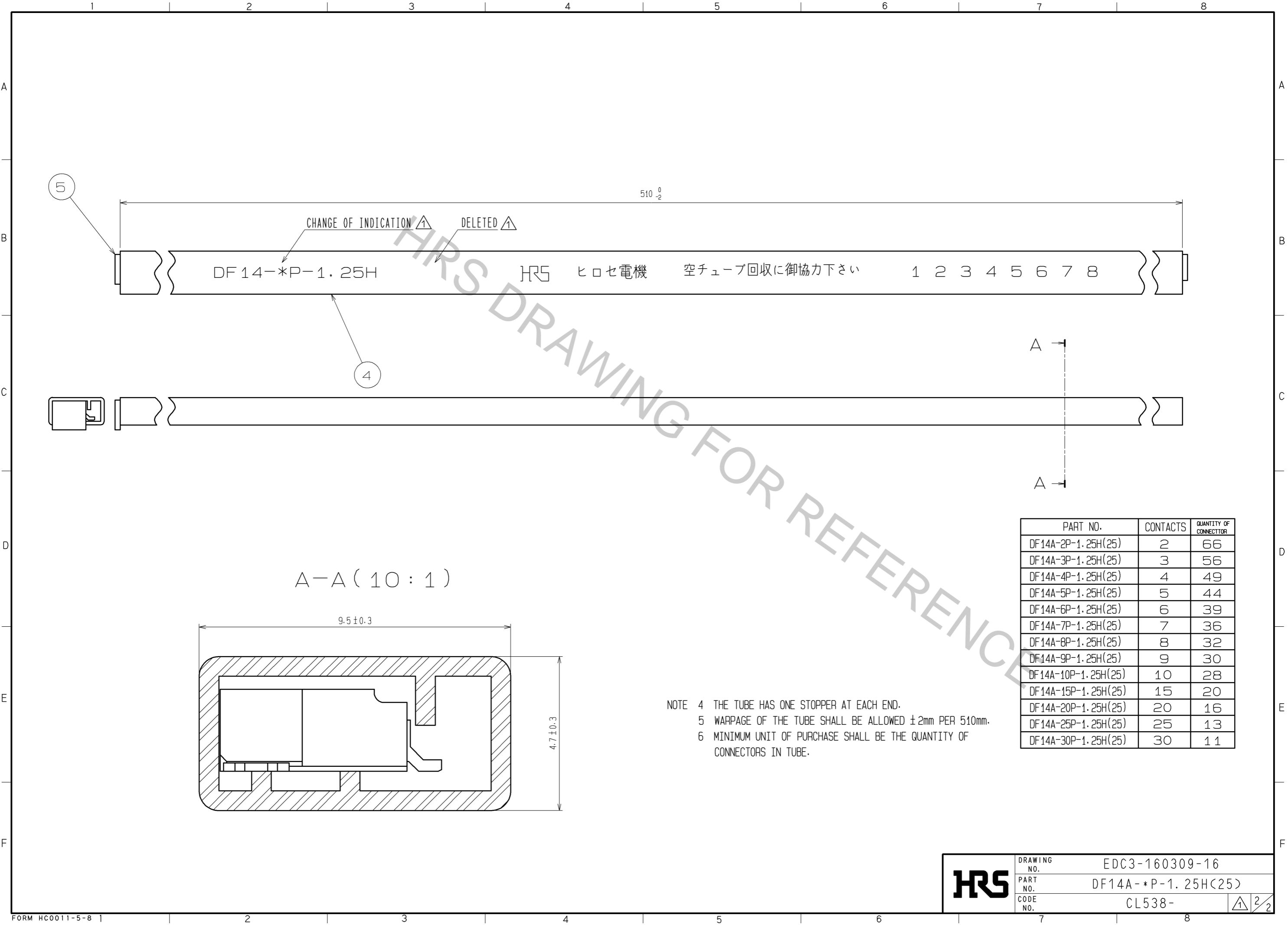


| NO. | MATERIAL | FINISH | REMARKS | NO. | MATERIAL | FINISH | REMARKS |
|-----|-----------------|--|---------|-----|---------------------|--------|--------------------------|
| 3 | PHOSPHOR BRONZE | TIN-COPPER PLATED 1#m min UNDER PLATING:NICKEL PLATED 0.5#m min | | 5 | S. PVC | | |
| 2 | BRASS | TIN-COPPER PLATED 1#m min UNDER PLATING:NICKEL PLATED 0.5#m min | | 4 | RIGID VINYLCHLORIDE | | ELECTROSTATIC PROTECTION |
| 1 | POLYAMIDE | BEIGE, UL94V-0 | | | | | |

| UNITS | SCALE | COUNT | DESCRIPTION OF REVISIONS | DESIGNED | CHECKED | DATE |
|-------|-------|-------|--------------------------|--------------|---------------|----------|
| mm | 5 : 1 | 2 | DIS-H-008680 | MI. SAKIMURA | TS. FUKUSHIMA | 14.04.11 |

| APPROVED | CHECKED | DESIGNED | DRAWN | DATE |
|----------------|-----------|----------------|----------------|----------|
| : KJ. KATAYOSE | : TY. OMA | : TS. KUMAZAWA | : TS. KUMAZAWA | 05.01.05 |

| DRAWING NO. | PART NO. | CODE NO. |
|----------------|--------------------|----------|
| EDC3-160309-16 | DF14A-*P-1.25H(25) | CL538- |



DF 14-*P-1.25H

HRS ヒロセ電機 空チューブ回収に御協力下さい

1 2 3 4 5 6 7 8

510 ⁰/₋₂

A-A (10:1)

9.5 ± 0.3

4.7 ± 0.3

NOTE 4 THE TUBE HAS ONE STOPPER AT EACH END.
 5 WARPAGE OF THE TUBE SHALL BE ALLOWED ±2mm PER 510mm.
 6 MINIMUM UNIT OF PURCHASE SHALL BE THE QUANTITY OF CONNECTORS IN TUBE.

| PART NO. | CONTACTS | QUANTITY OF CONNECTOR |
|---------------------|----------|-----------------------|
| DF14A-2P-1.25H(25) | 2 | 66 |
| DF14A-3P-1.25H(25) | 3 | 56 |
| DF14A-4P-1.25H(25) | 4 | 49 |
| DF14A-5P-1.25H(25) | 5 | 44 |
| DF14A-6P-1.25H(25) | 6 | 39 |
| DF14A-7P-1.25H(25) | 7 | 36 |
| DF14A-8P-1.25H(25) | 8 | 32 |
| DF14A-9P-1.25H(25) | 9 | 30 |
| DF14A-10P-1.25H(25) | 10 | 28 |
| DF14A-15P-1.25H(25) | 15 | 20 |
| DF14A-20P-1.25H(25) | 20 | 16 |
| DF14A-25P-1.25H(25) | 25 | 13 |
| DF14A-30P-1.25H(25) | 30 | 11 |

| | | |
|------------|-------------|--------------------|
| HRS | DRAWING NO. | EDC3-160309-16 |
| | PART NO. | DF14A-*P-1.25H(25) |
| | CODE NO. | CL538- |
| | | |