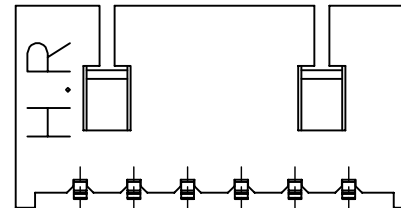
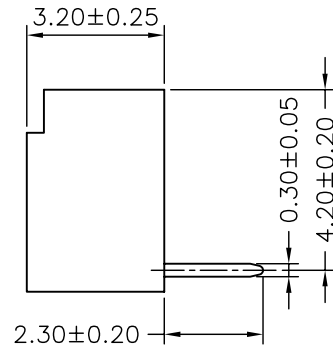
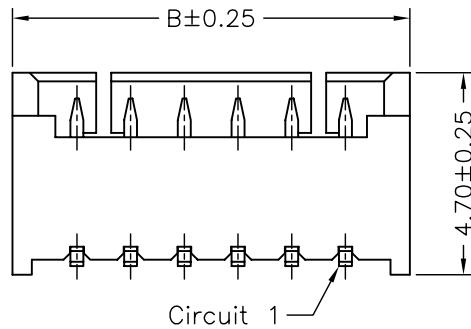
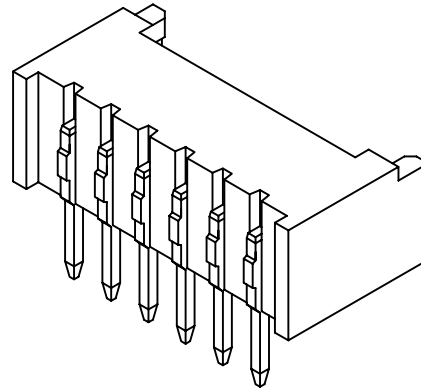


P.C.B LAYOUT



SPECIFICATIONS

Current Rating: 1A AC,DC  
 Voltage Rating: 125V AC,DC  
 Temperature Range: -25°C ~ +85°C  
 Contact Resistance: 20mΩ Max.  
 Insulation Resistance: 100MΩ Min.  
 Withstanding Voltage: 500V AC/minute  
 Pin Material: Phosphor Bronze/Tin-plated  
 Material: Nylon 6T,UL94V-0  
 Color: Natural(Beige)

Ordering Information & Dimensions

PART NO.	Dimensions	
	A	B
A1250WR-02P	1.25	4.25
A1250WR-03P	2.50	5.50
A1250WR-04P	3.75	6.75
A1250WR-05P	5.00	8.00
A1250WR-06P	6.25	9.25
A1250WR-07P	7.50	10.50
A1250WR-08P	8.75	11.75
A1250WR-09P	10.00	13.00
A1250WR-10P	11.25	14.25
A1250WR-11P	12.50	15.50
A1250WR-12P	13.75	16.75
A1250WR-13P	15.00	18.00
A1250WR-14P	16.25	19.25
A1250WR-15P	17.50	20.50
A1250WR-16P	18.75	21.75
A1250WR-17P	20.00	23.00
A1250WR-18P	21.25	24.25

			UNIT	SCALE	SHEET	TITLE:	
			mm		1 of 1		
			DRAWN BY	APPROVED BY		1.25mm PITCH 90° WAFER	
			董正一	董正一			
			2001.02.01	2001.02.01			
			GENERAL TOLERANCE				
			X. X±0.25	ANGLE±		DRAW NO. : A1250WR-XP	
			X. XX±0.15				
			X. XXX±0.05				
B0	NEW RELEASE	2006.06.23					REV. B0
REV.	DESCRIPTION	DATE					