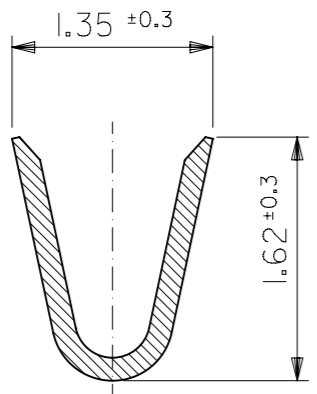
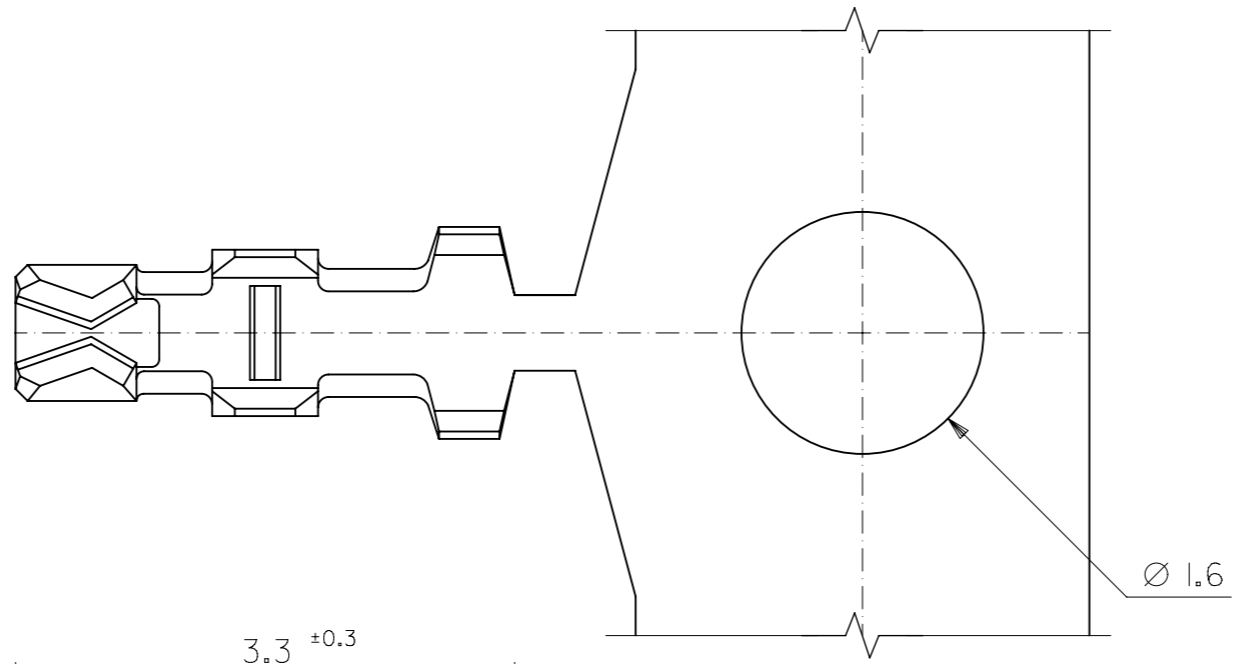


SECT. A-A

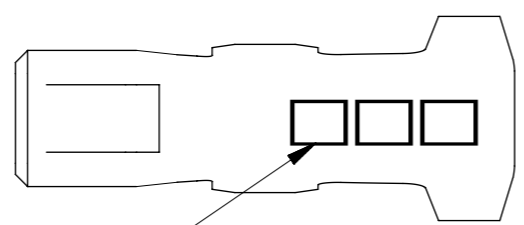
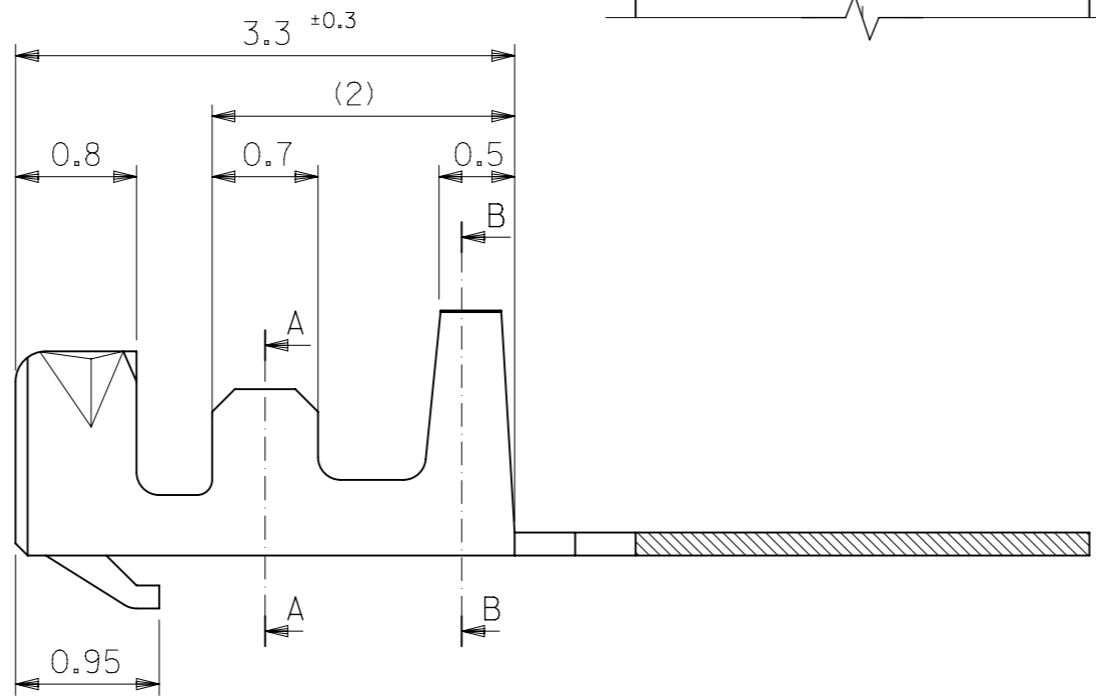
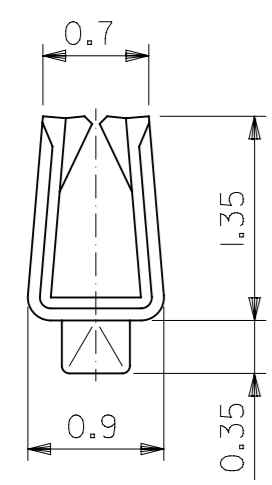


SECT. B-B



NOTE

- 適合ハウジング : 51021-****
APPLICABLE HOUSING: 51021-****
- めっき仕様 : 下記表参照
PLATING: SEE CHART
- 圧着条件については500580000-CSを参照。
PLEASE REFER TO CRIMP SPECIFICATION 500580000-CS.



トレードマーク
TRADE MARK

PRE-PLATED	LOOSE	50079-8100
REFLOW TREATED MATTE TIN: 0.9µm MIN.	CHAIN	50079-8000
PLATING	FORM	ORDER NO.

適用電線範囲 WIRE RANGE	被覆外径 INSULATION RANGE	THIS DRAWING CONTAINS INFORMATION THAT IS PROPRIETARY TO MOLEX ELECTRONIC TECHNOLOGIES, LLC AND SHOULD NOT BE USED WITHOUT WRITTEN PERMISSION		CURRENT REV DESC:		molex			
AWG:#26-#28	∅1.04MAX.	DIMENSION UNITS	SCALE						
材料 MATERIAL りん青銅 PHOSPHOR BRONZE (t=0.15)		mm	20:1	EC NO: 170638		PICOBLADE 1.25 RECEPTACLE CRIMP TERMINAL			
		GENERAL TOLERANCES (UNLESS SPECIFIED)		DRWN: SOBARA01 2018/01/09					
		ANGULAR TOL ± 3.0°		CHK'D: AIDA 2018/01/18					
		4 PLACES ± 0.2		APPR: TKANEKO 2018/01/18		PRODUCT CUSTOMER DRAWING			
		3 PLACES ± 0.2		INITIAL REVISION:		DOCUMENT NUMBER			
		2 PLACES ± 0.2		DRWN: ESUZUKI 2004/11/30		SD-50079-001			
1 PLACE ± 0.2		APPR: NUKITA 2004/12/06		DOC TYPE DOC PART REVISION					
0 PLACES ± 0.2		DRAFT WHERE APPLICABLE MUST REMAIN WITHIN DIMENSIONS		PSD 001 J					
		THIRD ANGLE PROJECTION		DRAWING		SERIES		MATERIAL NUMBER	
		A3-SIZE		50079		SEE CHART		CUSTOMER	
						GENERAL		SHEET NUMBER	
						1 OF 1			

10 9 8 7 6 5 4 3 2 1

F

F

E

E

D

D

C

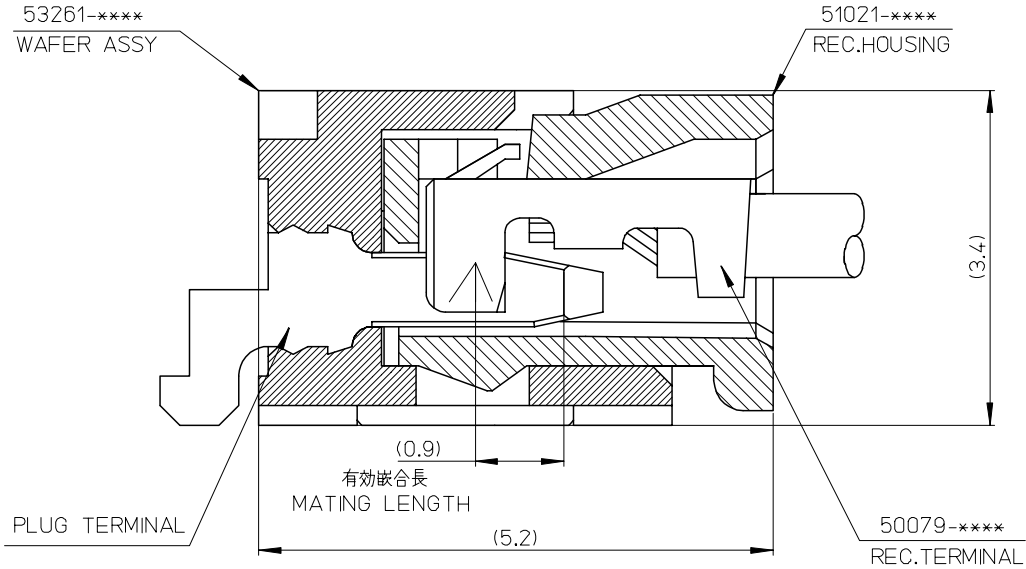
C

B

B

A

A



53261-****	WAFER ASSY	MODEL NO./MATERIAL NO.
50079-****	TERMINAL	
51021-****	HOUSING	

RELEASED EC NO: J2006-2426 DRWN: A0YAGI 2006/02/02 CHKD: YMAEDA 2006/02/03 APPR: NUKITA 2006/02/07	GENERAL TOLERANCES (UNLESS SPECIFIED)		DIMENSION STYLE MM ONLY		SCALE ---	DESIGN UNITS METRIC	THIRD ANGLE PROJECTION	
	10 UNDER	± ---	DRAWN BY Y. A0YAGI	DATE 2006/01/30	TITLE 1.25 W-TO-B CONN. 51021,53261 MATING CROSS SECTION			
	10 OVER 30 UNDER	± ---	CHECKED BY Y. MAEDA	DATE 2006/01/30	MOLEX INCORPORATED			
	30 OVER	± ---	APPROVED BY N. UKITA	DATE 2006/01/30	DOCUMENT NO. SD-51021-002			
	ANGULAR	± --- °	MATERIAL NO. SEE CHART		SHEET NO. 1 OF 1			
0	DRAFT WHERE APPLICABLE MUST REMAIN WITHIN DIMENSIONS		SIZE A3		THIS DRAWING CONTAINS INFORMATION THAT IS PROPRIETARY TO MOLEX INCORPORATED AND SHOULD NOT BE USED WITHOUT WRITTEN PERMISSION			

9

8

7

6

5

4

3

2