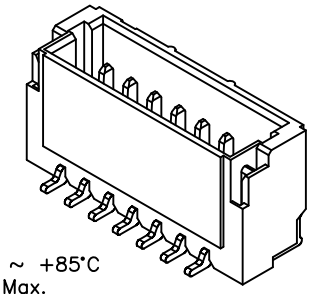
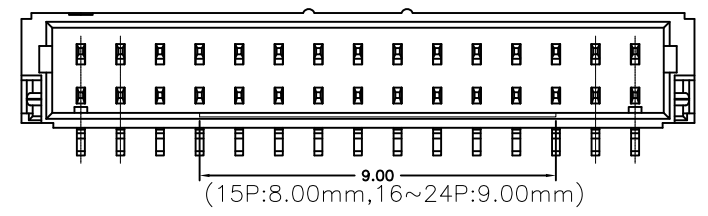


P/N LEGEND

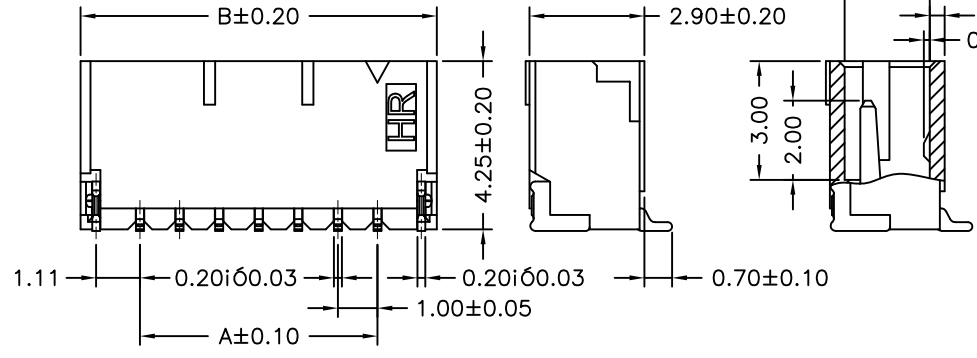
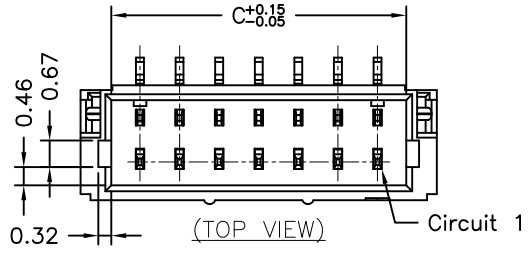
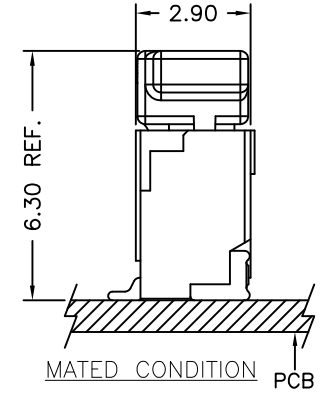
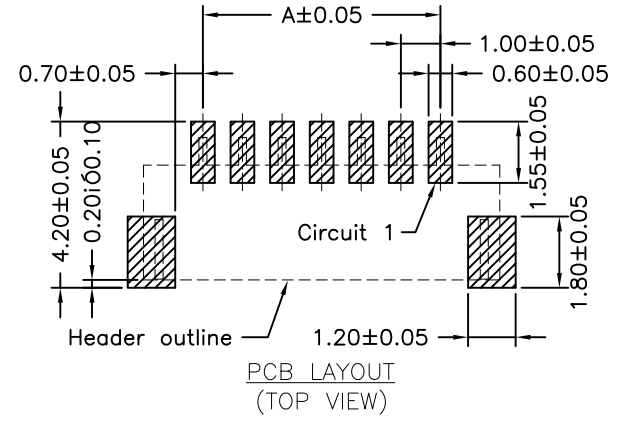
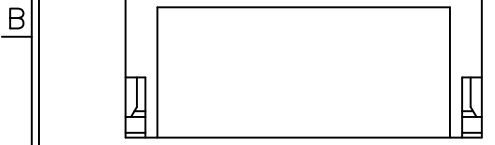
A1001 WV-S-XP XXX

① Series No.
 ② Connector type: WV=Vertical
 ③ Mounting type: S=SMT without boss
 ④ No. of circuits
 ⑤ Option code:

Blank=Contacts/Matte Tin-plated and Solder tabs/Matte Tin-plated and Color: Natural(Beige)
 D01=Contacts/Gold-flash and Solder tabs/Gold-flash Color: Natural(Beige)
 D11=Contacts/Gold-flash and Solder tabs/Gold-flash Color: Natural(Black)



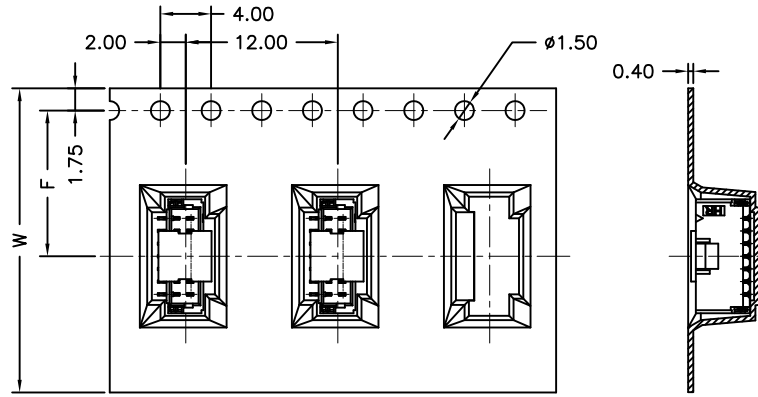
SPECIFICATIONS
 Current Rating: 1A AC,DC
 Voltage Rating: 50V AC,DC
 Temperature Range: -25°C ~ +85°C
 Contact Resistance: 20mΩ Max.
 Insulation Resistance: 100MΩ Min.
 Withstanding Voltage: 500V AC/minute
 Pin Material: Phosphor Bronze
 Solder Tabs: Brass
 Material: Nylon 6T,UL94V-0
 Cap: Nylon 6T,UL94V-0,Natural(Beige)



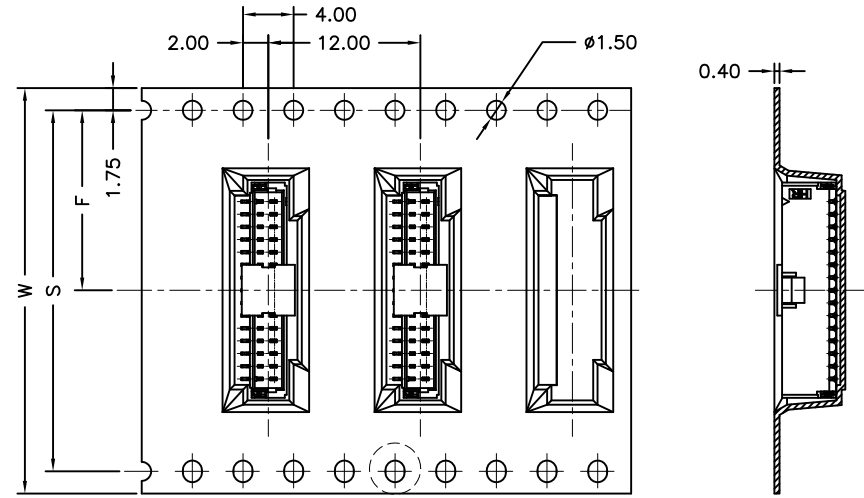
Circuit No.	Dimensions			Circuit No.	Dimensions		
	A	B	C		A	B	C
02P	1.00	4.00	2.45	12P	11.00	14.00	12.45
03P	2.00	5.00	3.45	13P	12.00	15.00	13.45
04P	3.00	6.00	4.45	14P	13.00	16.00	14.45
05P	4.00	7.00	5.45	15P	14.00	17.00	15.45
06P	5.00	8.00	6.45	16P	15.00	18.00	16.45
07P	6.00	9.00	7.45	17P	16.00	19.00	17.45
08P	7.00	10.00	8.45	18P	17.00	20.00	18.45
09P	8.00	11.00	9.45	19P	18.00	21.00	19.45
10P	9.00	12.00	10.45	20P	19.00	22.00	20.45
11P	10.00	13.00	11.45	24P	23.00	26.00	24.45

						燦達電子工業股份有限公司 JOINT TECH ELECTRONIC IND. CO., LTD.	
				UNIT	SCALE	SHEET	TITLE:
				mm	1 : 1	1 of 2	1.00mm PITCH 180° WAFER-SMT TYPE
				DRAWN BY	APPROVED BY		
				蕭惠風	董正一		
				2002.06.03	2002.06.03		
				GENERAL TOLERANCE			
C1	EN1110110449	2011.11.29	陳敏	X.X±0.25	ANGLE±		DRAW NO. : A1001WV-S-XP
C0	EN1106240218	2011.06.24	陳敏	X.XX±0.15			
B5	EN1012010279	2010.12.01	陳錦展	X.XXX±0.05			
REV.	DESCRIPTION	DATE	NAME				REV. C1

02~13 Contacts

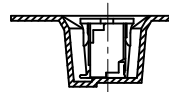


14~24 Contacts

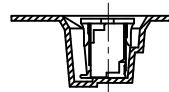


Unreeling direction →

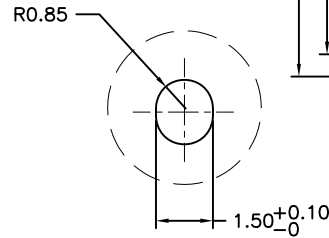
Unreeling direction →



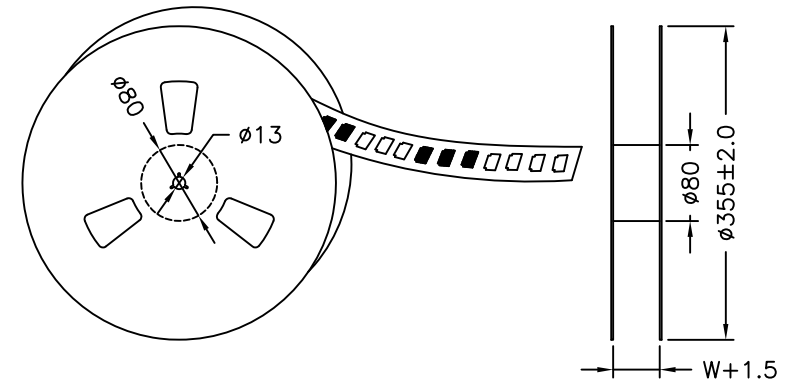
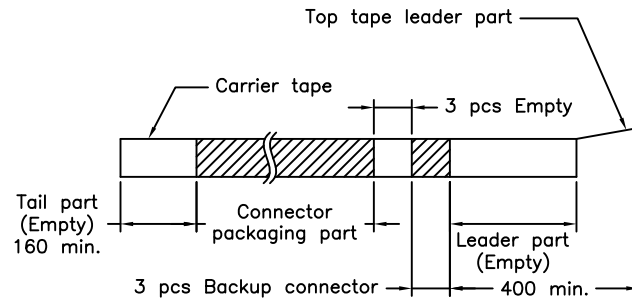
06~13 Contacts



02~05 Contacts



Number of Contacts	W±0.3	F±0.1	S±0.1	Q'ty/Reel
02P	16	7.50		1,000
03P	16	7.50		1,000
04P	16	7.50		1,000
05P	16	7.50		1,000
06P	24	11.50		1,000
07P	24	11.50		1,000
08P	24	11.50		1,000
09P	24	11.50		1,000
10P	24	11.50		1,000
11P	24	11.50		1,000
12P	24	11.50		1,000
13P	24	11.50		1,000
14P	32	14.20	28.40	1,000
15P	32	14.20	28.40	1,000
16P	32	14.20	28.40	1,000
17P	32	14.20	28.40	1,000
18P	32	14.20	28.40	1,000
19P	44	20.20	40.40	1,000
20P	44	20.20	40.40	1,000
24P	44	20.20	40.40	1,000



NOTE:
Material: Transparent
Anti-static Polystyrene.

						燦達電子工業股份有限公司 JOINT TECH ELECTRONIC IND. CO., LTD.	
		UNIT	SCALE	SHEET		TITLE:	
		mm	1 : 1	2 of 2		1.00mm PITCH 180° WAFER-SMT TYPE, TAPING SPEC.	
		DRAWN BY		APPROVED BY			
		董正一		董正一			
		2004.12.29		2004.12.29			
		GENERAL TOLERANCE					
C1	EN1110110449	2011.11.29	陳敏	X. X±0.25	DRAW NO. : A1001WV-S-XP		
C0	EN1106240218	2011.06.24	陳敏	X. XX±0.15			
B5	EN1012010279	2010.12.01	陳錦展	X. XXX±0.05			
REV.	DESCRIPTION	DATE	NAME	ANGLE±		REV.	CI