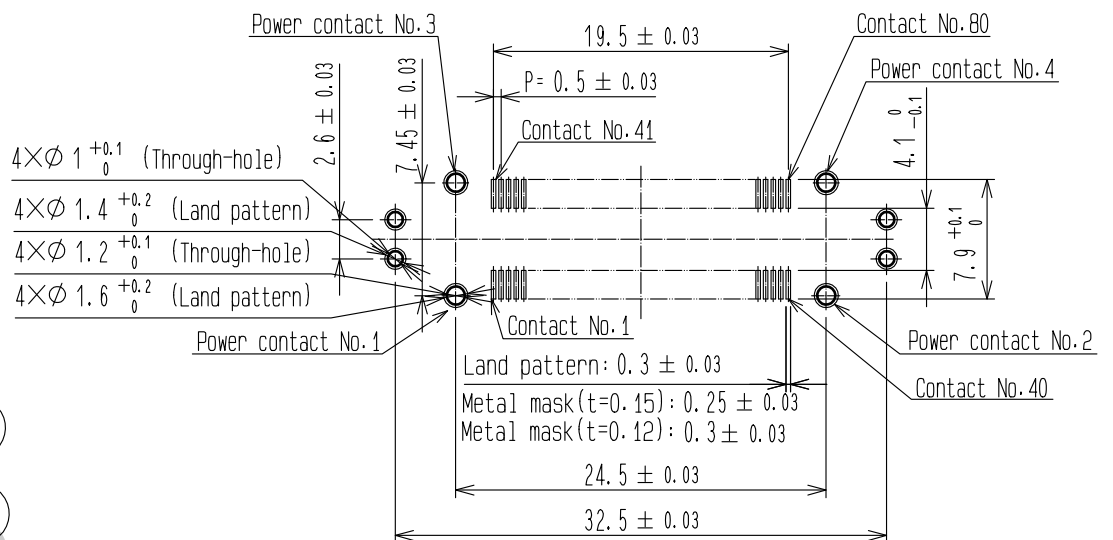
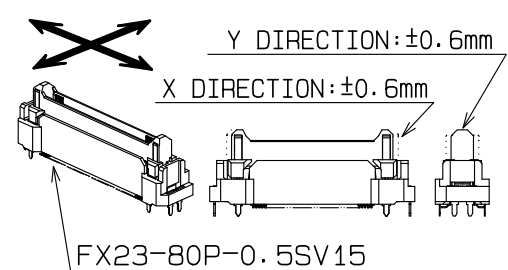


Mar.1.2018 Copyright 2018 HIROSE ELECTRIC CO., LTD. All Rights Reserved.

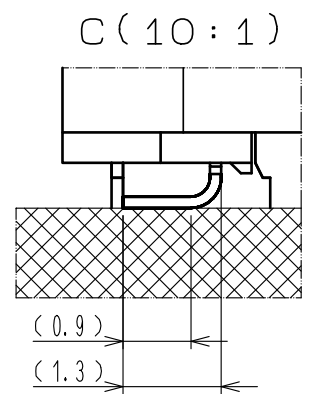
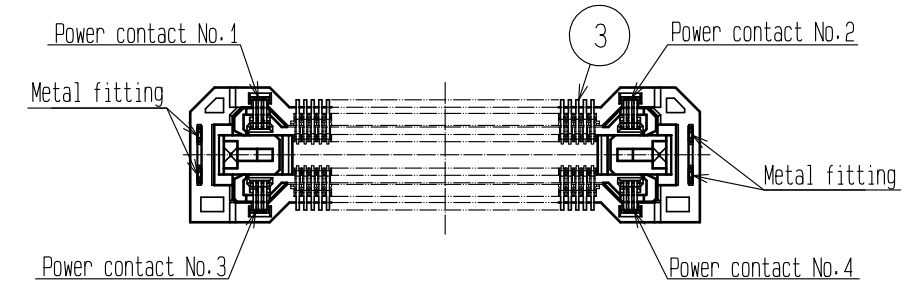
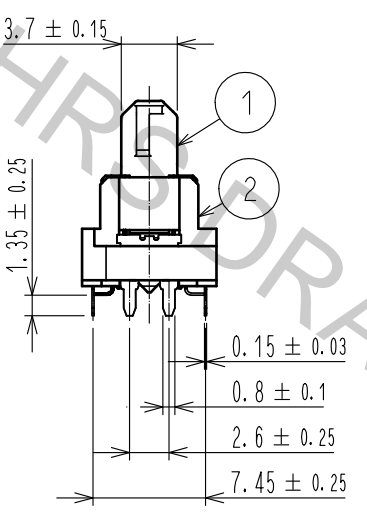
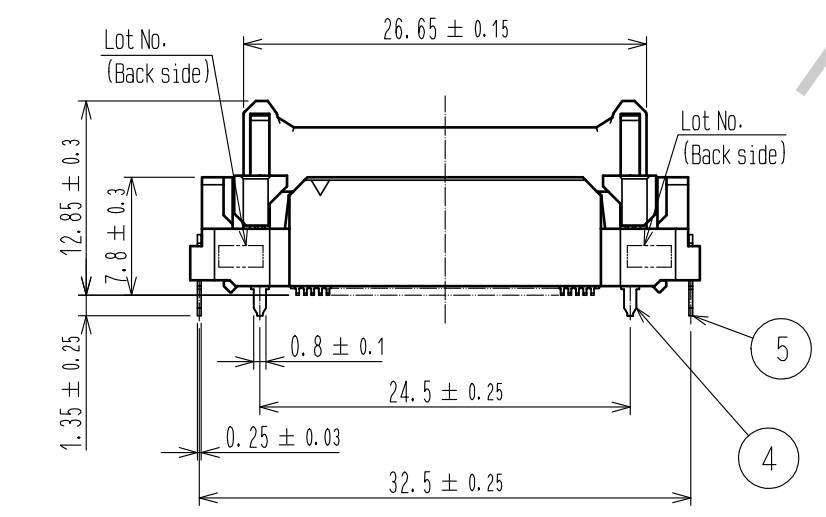
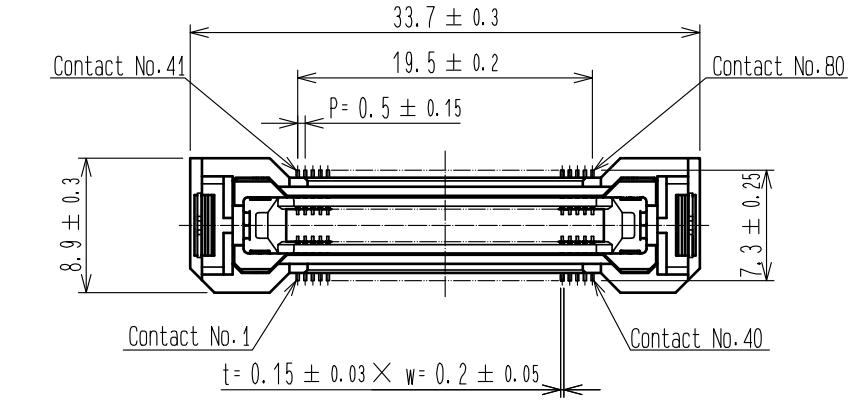
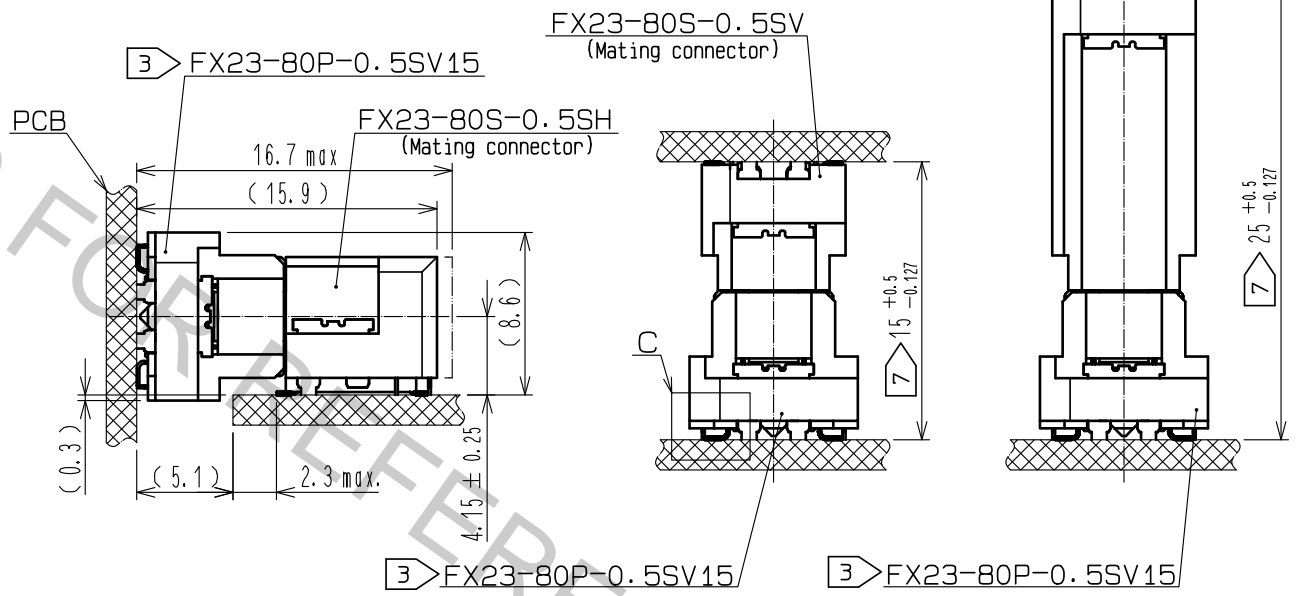
RECOMMENDED LAND PATTERN DIMENSION OF PCB
(PCB THICKNESS: t=1.6mm)



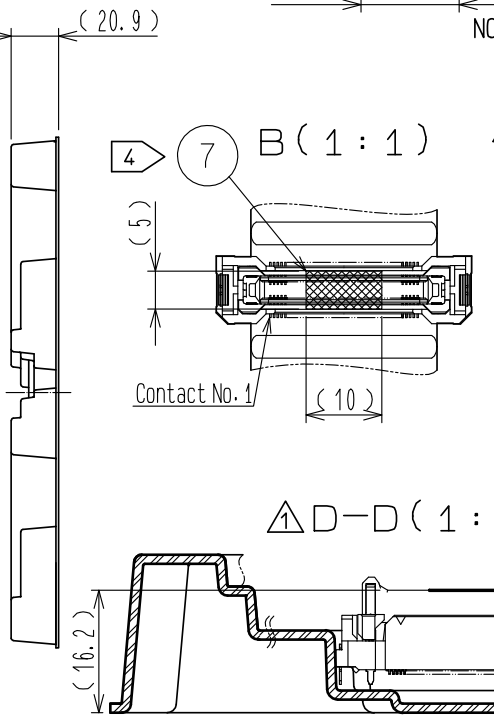
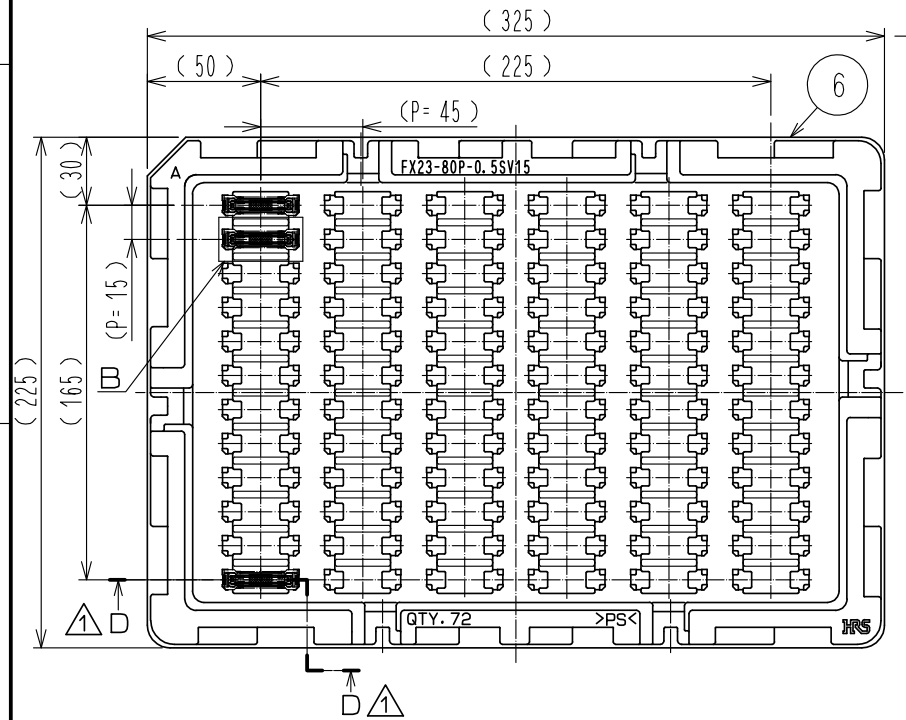
FLOATING RANGE



PCB DISTANCE
(No scale)



DRAWING FOR PACKING (No scale)



- NOTE 1 Lead CO-Planarity is 0.1mm MAX.
 2 This is packaged in tray. (72pcs/tray)
 3 Floating range of this connector is ±0.6mm MAX.
 The maximum cycle time of the floating operation is in accordance with the mating cycle of the connector.
 4 It shows the vacuum pickup area. Remove the mylar tape before mating connectors.
 5 Blemish and hit mark can be occurred through out the manufacturing process which doesn't affect quality level.
 6 The dimensions in parentheses are for references.
 7 Please use the connectors within the specified PCB distance.

NO.	MATERIAL	FINISH . REMARKS	NO.	MATERIAL	FINISH . REMARKS
3	COPPER ALLOY	CONTACT AREA:GOLD 0.1µm LEAD AREA:GOLD 0.03µm UNDER PLATING:NICKEL 1.3µm	5	BRASS	LEAD AREA:TIN-PLATING 3µm UNDER PLATING:NICKEL 1µm
2	POLYAMIDE	BLACK UL94V-0	4	COPPER ALLOY	CONTACT AREA:GOLD 0.1µm LEAD AREA:TIN-PLATING 1µm UNDER PLATING:NICKEL 1.3µm
1	POLYAMIDE	BLACK UL94V-0			

UNITS	SCALE	COUNT	DESCRIPTION OF REVISIONS	DESIGNED	CHECKED	DATE
mm	2 : 1	4	DIS-F-00001099	TS.00NO	KN. SHIBUYA	16.02.17

APPROVED	DESIGNED	DRAWING NO.
HS. OKAWA 14.10.09	TS.00NO 14.10.09	EDC-353540-00-00
CHECKED : KN. SHIBUYA 14.10.09		PART NO. FX23-80P-0.5SV15
DESIGNED : TS.00NO 14.10.09		CODE NO. CL573-3004-9-00
DRAWN : TS.00NO 14.10.09		