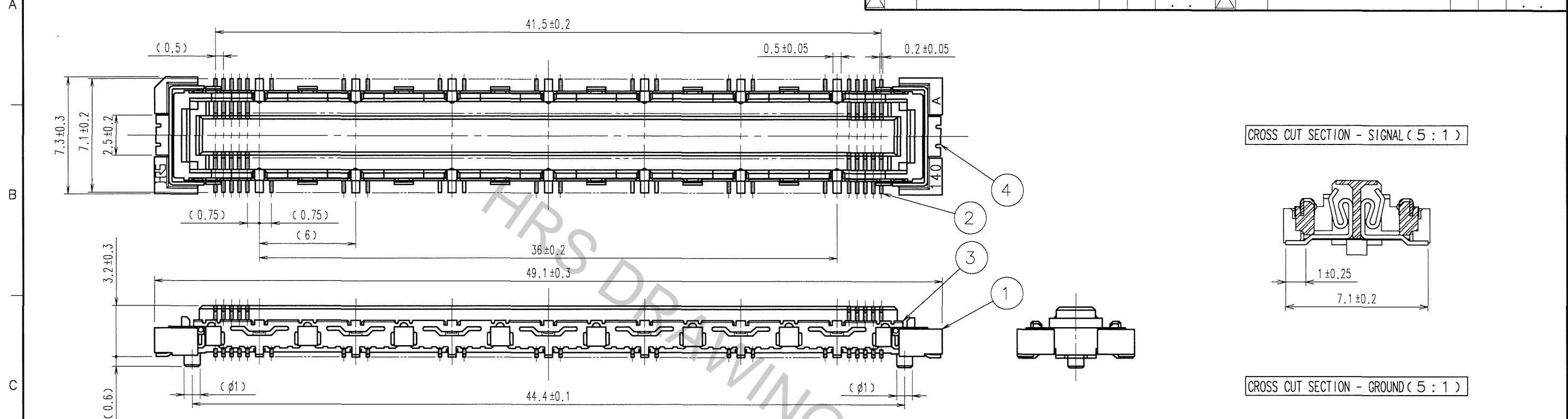
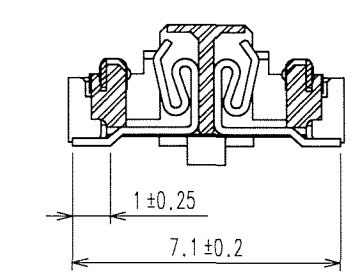


Jan.1.2017 Copyright 2017 HIROSE ELECTRIC CO., LTD. All Rights Reserved.

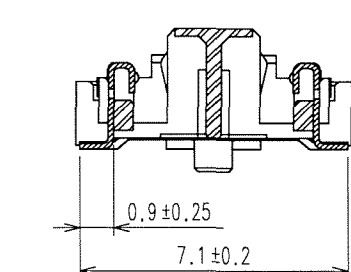
COUNT	DESCRIPTION OF REVISIONS	BY	CHKD	DATE	COUNT	DESCRIPTION OF REVISIONS	BY	CHKD	DATE
△				..	△				..
△				..	△				..
△				..	△				..



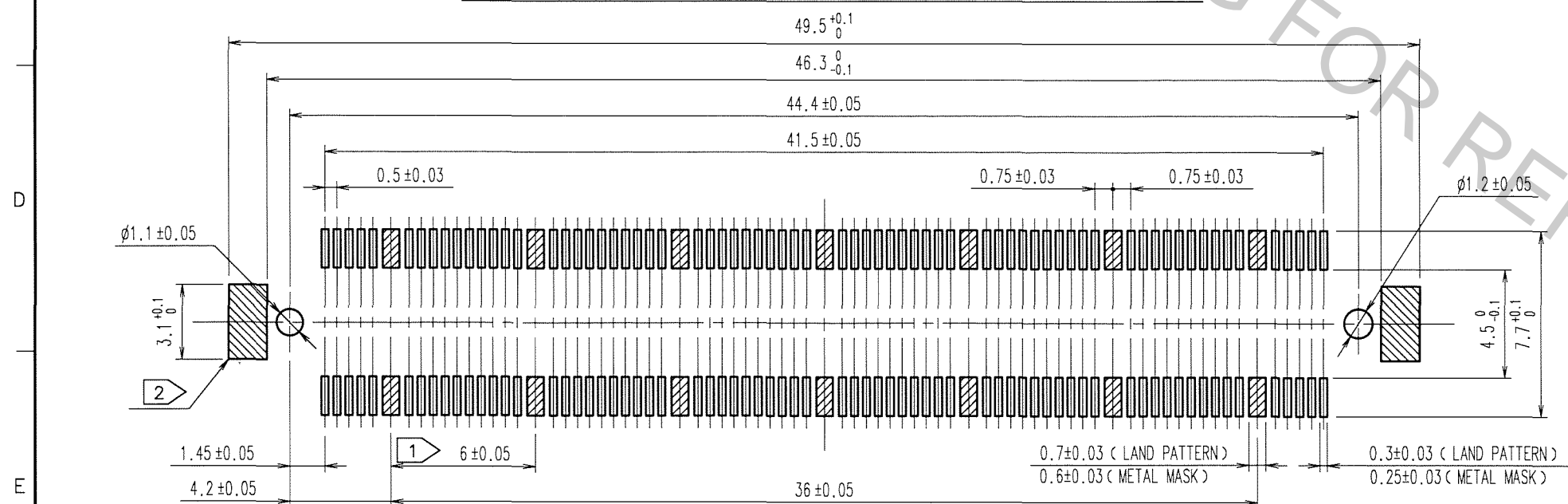
CROSS CUT SECTION - SIGNAL (5 : 1)



CROSS CUT SECTION - GROUND (5 : 1)



RECOMMENDED LAND PATTERN DIMENSION OF PCB



- NOTES
- ① 14 HATCHED PARTS:GROUND CIRCUIT.
 - ② 2 HATCHED PARTS:GROUND CIRCUIT.
 - 3 SMT LEAD-COPLANARITY:0.1 MAX.
 - 4 THIS PRODUCT HAS NO POLARITY TO PATTERN FOR MOUNTING.
 - 5 THE DIMENSIONS IN PARENTHESES ARE FOR REFERENCE.

TO
PCK

3, 4	PHOSPHOR BRONZE	TIN-PLATING
2	PHOSPHOR BRONZE	CONTACT AREA : GOLD 0.1μm min. LEAD AREA : GOLD FLASH UNDER PLATING : NICKEL 1μm min.

NO.	MATERIAL	FINISH, REMARKS	NO.	MATERIAL	FINISH, REMARKS
1	LCP	BEIGE UL94V-0			

CODE NO. (OLD) CL	DRAWN A.SUZUKAWA 06.12.04	DESIGNED <i>A. Nakamura</i> 06.12.04	CHECKED <i>(C. Ogawa)</i> 06.12.04	APPROVED <i>H. Okawa</i> 06.12.04	RELEASED ..
----------------------	---------------------------------	--	--	---	----------------

SCALE 4 : 1	DRAWING NO. EDC3-151979-25	PART NO. FX10A-140S/14-SV(71)
UNITS mm	HRS HIROSE ELECTRIC CO., LTD	CODE NO. CL570-0204-2-71