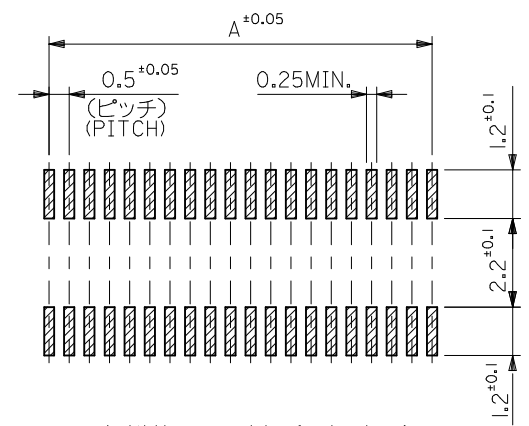
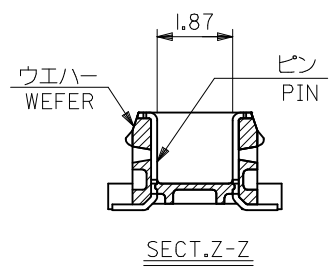
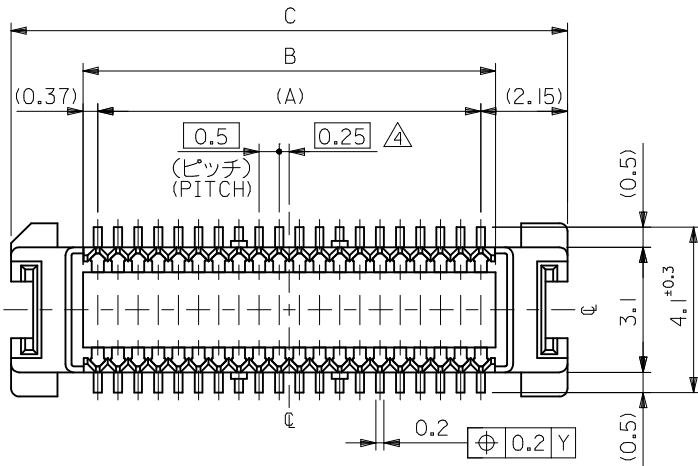
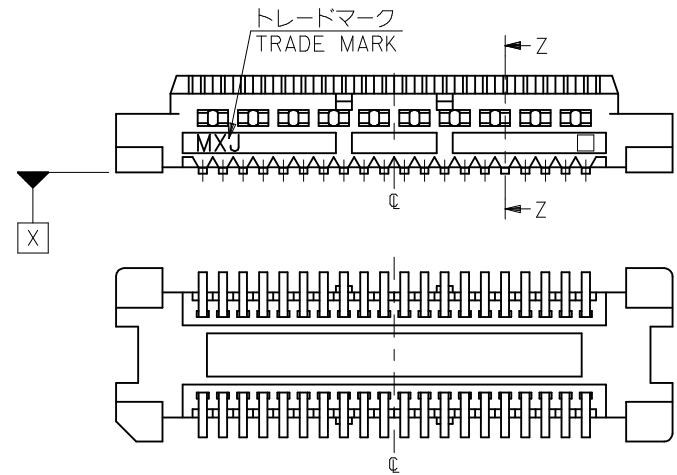
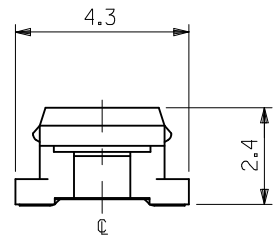


10 9 8 7 6 5 4 3 2 1



参考基板レイアウト (マウント面)
P.C. BOARD PATTERN
DIMENSION. (REF.)
(MOUNTING AREA)



- △ (全極数/2) = 偶数の場合に適用。
APPLY FOR (CIRCUIT/2)=EVEN.
5 嵌合相手 : 52991 シリーズ 54167 シリーズ
MATE WITH : 52991 SERIES, 54167 SERIES.
6 テール平坦度は、0.1MAX.
TAIL COPLANARITY TO BE 0.1MAX.

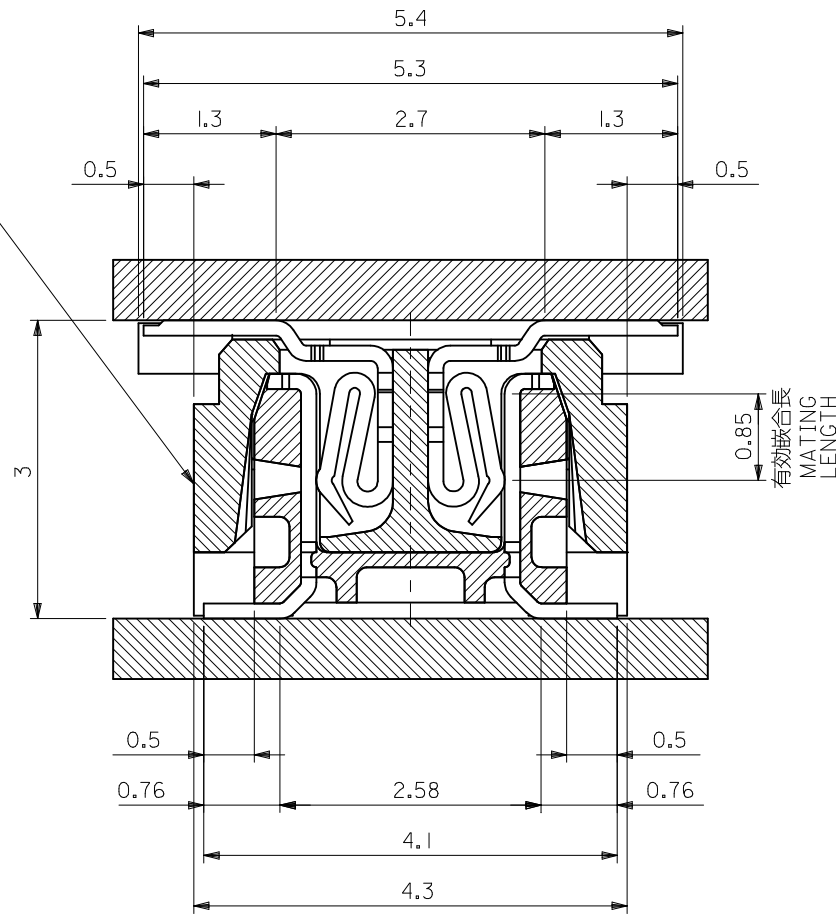
注記 NOTES:

1. 使用材料 MATERIAL
ハウジング: LCPガラス入り (白), UL94V-0
HOUSING: LCP(G.F.)(COLOR: WHITE), UL94V-0
ターミナル: 黄銅 (t=0.15)
TERMINAL: BRASS (t=0.15)
2. メッキ仕様 PLATING
全体仕上げ: 金メッキ 0.1 MICROMETER MIN.
ALL OVER : GOLD 0.1 MICROMETER MIN.
下地メッキ: ニッケルメッキ 1.5 MICROMETER MIN.
UNDER PLATING : NICKEL 1.5 MICROMETER MIN.
3. 基準面 [X] からの溶剤テールの半田付け面のズレ量は、上方向 0.15MAX. とする。
MISALIGNMENT OF SOLDER TAIL FROM [X]
: UPPER DIRECTION 0.15 MAX.

23.8	20.24	19.5	53748-0800	80
21.3	17.74	17.0	53748-0700	70
18.8	15.24	14.5	53748-0600	60
13.8	10.24	9.5	53748-0400	40
11.3	7.74	7.0	53748-0300	30
8.8	5.24	4.5	53748-0200	20
C	B	A	MATERIAL NO.	極数 CIRCUIT

REVISED EC NO: J2009-0487 DRWN: MAKURAA 2008/12/08 CHKD: T. HARIYAMA 2008/12/08 APPR: NUKITA 2009/01/09	GENERAL TOLERANCES (UNLESS SPECIFIED)		DIMENSION STYLE MM ONLY		SCALE 8:1	DESIGN UNITS METRIC	THIRD ANGLE PROJECTION
	10 UNDER	±0.2	DRAWN BY S. AIHARA	DATE '96/2/27	TITLE 0.5 B-TO-B CONN PLUG ASSY (W/O BOSS, W/O NAIL)		
	10 OVER 30 UNDER	±0.25	CHECKED BY M. SASAO	DATE '01/12/26	MOLEX INCORPORATED		
	30 OVER	±0.3	APPROVED BY M. SASAO	DATE '01/12/26	DOCUMENT NO. SD-53748-002	SHEET NO. 1 OF 2	
	ANGULAR ±3 °	DRAFT WHERE APPLICABLE MUST REMAIN WITHIN DIMENSIONS		SEE TABLE			
		THIS DRAWING CONTAINS INFORMATION THAT IS PROPRIETARY TO MOLEX INCORPORATED AND SHOULD NOT BE USED WITHOUT WRITTEN PERMISSION					

嵌合相手 MATE WITH
 52991-***0 (白 WHITE)
 54167-***1 (黒 BLACK)



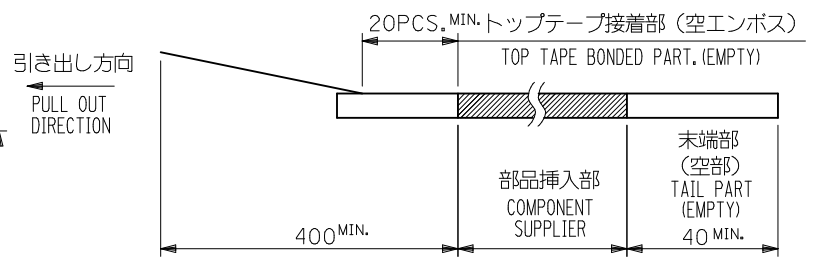
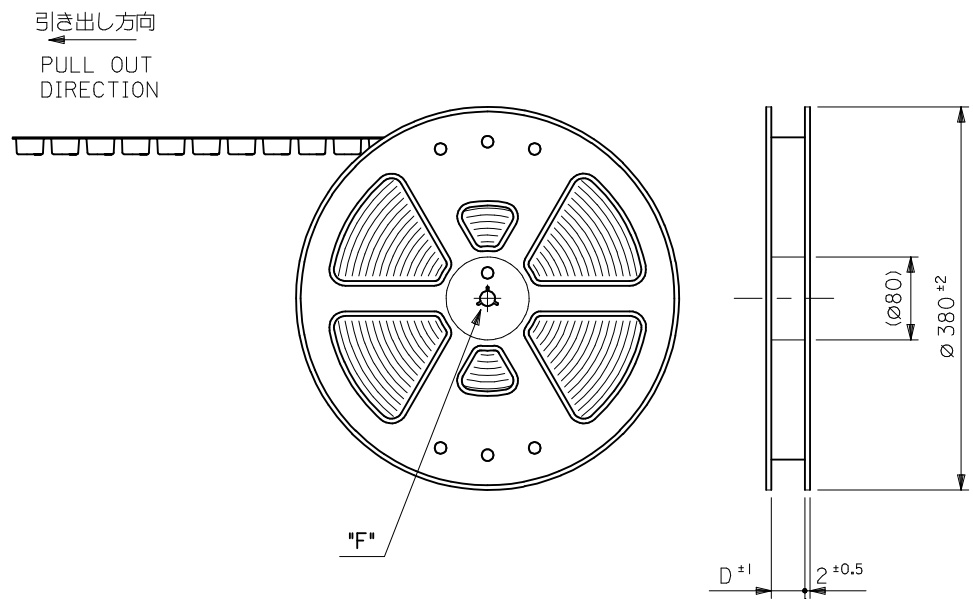
嵌合断面図 (参考)
 MATED DRAWING (REF.)

MODEL NO. 53748-***0

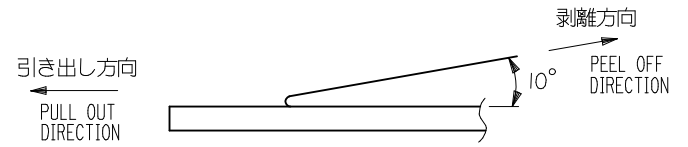
REVISED EC NO: J2009-0487 DRWN: MAKURAA 2008/12/08 CHKD: T. HARUYAMA 2008/12/08 APPR: NUKITA 2009/01/09	GENERAL TOLERANCES (UNLESS SPECIFIED)		DIMENSION STYLE MM ONLY	SCALE 8:1	DESIGN UNITS METRIC	THIRD ANGLE PROJECTION
	10 UNDER	± ---	DRAWN BY S. AIHARA	DATE '96/2/27	TITLE 0.5 B-TO-B CONN PLUG ASSY (W/O BOSS ,W/O NAIL)	
	10 OVER 30 UNDER	± ---	CHECKED BY M. SASAO	DATE '01/12/26	MOLEX INCORPORATED	
	30 OVER	± ---	APPROVED BY M. SASAO	DATE '01/12/26	MATERIAL NO. SEE TABLE	DOCUMENT NO. SD-53748-002
	ANGULAR ± --- °	DRAFT WHERE APPLICABLE MUST REMAIN WITHIN DIMENSIONS	SIZE A3	THIS DRAWING CONTAINS INFORMATION THAT IS PROPRIETARY TO MOLEX INCORPORATED AND SHOULD NOT BE USED WITHOUT WRITTEN PERMISSION		

NOTES

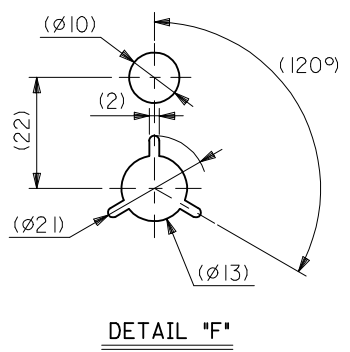
- 製品詳細寸法については図面 SD-53748-002 を参照下さい。
RE DETAILED DIMENSION, SEE SD-53748-002
- 梱包数量：3000個/リール
NUMBER OF CONNECTORS : 3000PCS/REEL
- リードテープ長さ LEAD TAPE LENGTH



- トップテープの剥離強度：0.1N ~ 0.7N (10.2gf ~ 71.4gf)
(剥離方向は下図参照)
尚、本規格値は出荷時に適用。(但し、輸送時に剥離が発生しないこと。)
PEELING OFF FORCE OF TOP TAPE : 0.1N ~ 0.7N (10.2gf ~ 71.4gf)
(PEELING DIRECTION AS SHOWN IN FOLLOWING FIG.)
THIS REQUIREMENT SHOULD BE APPLIED AT SHIPMENT.
PEEL OFF SHOULD NOT BE ALLOWED , DURING TRANSPORTATION.

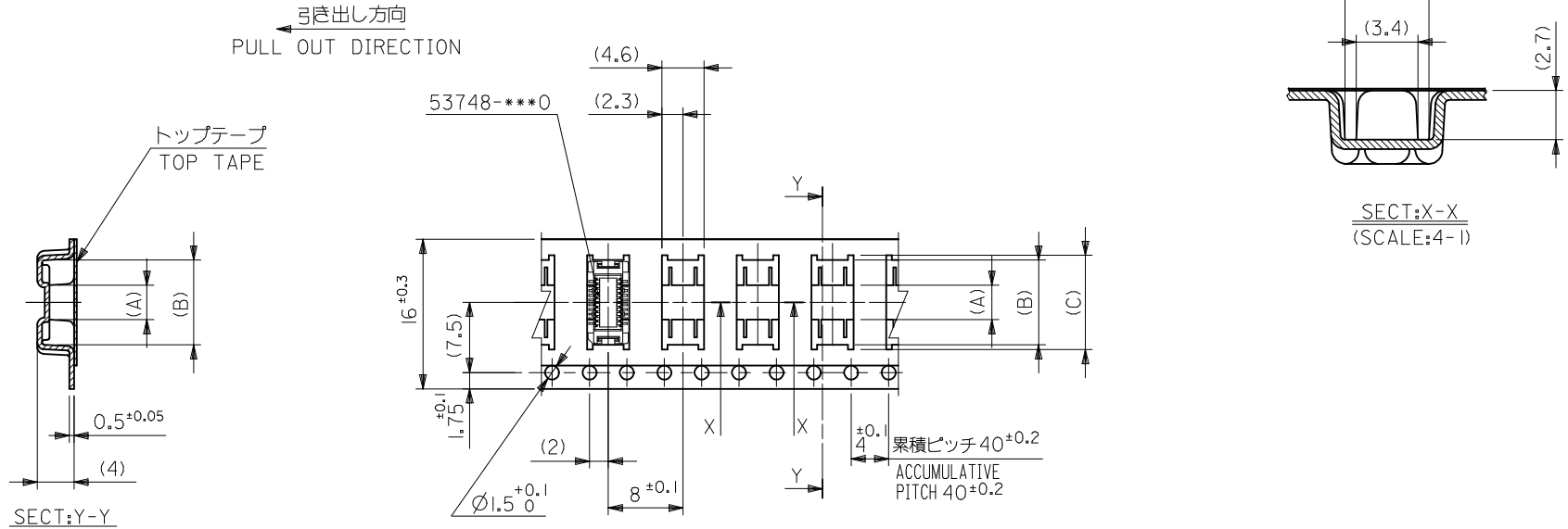


- 材料 (MATERIAL)
キャリアテープ (CARRIER TAPE) : ポリプロピレン (POLYPROPYLENE)
トップテープ (TOPTAPE) : PET , PE , PEF
リール (REEL) : ポリスチレン (PS) <リサイクル材を含む>
POLYSTYREN (PS) <RECYCLE MATERIAL CONTAINED>



MODEL NO. 53748-***8

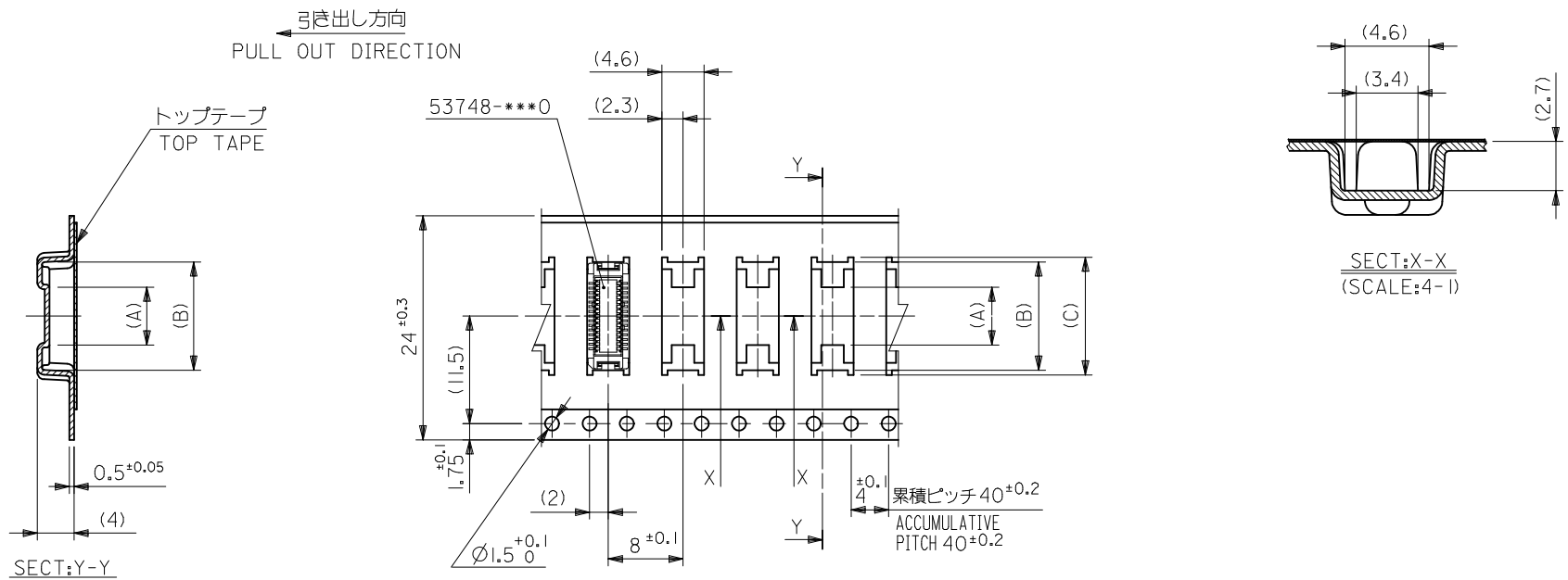
REVISED EC NO: J2009-0487 DRWN: NAKAMURA 2008/12/08 CHKD: T. HARUYAMA 2008/12/08 APPR: NUKITA 2009/01/09	GENERAL TOLERANCES (UNLESS SPECIFIED)		DIMENSION STYLE MM ONLY		SCALE ---	DESIGN UNITS METRIC	THIRD ANGLE PROJECTION	
	10 UNDER	±0.2	DRAWN BY T. NIITSU	DATE '95/10/17	TITLE 0.5 BTB CONN PLUG (BOSS, NAIL) EMBSTP PKG			
	10 OVER 30 UNDER	±0.25	CHECKED BY T. ITO	DATE '01/1/23				
	30 OVER	±0.3	APPROVED BY M. FUKUSHIMA	DATE '01/1/23	MOLEX INCORPORATED			
	ANGULAR	±3 °	MATERIAL NO. SEE TABLE					
DRAFT WHERE APPLICABLE MUST REMAIN WITHIN DIMENSIONS		SIZE A3	THIS DRAWING CONTAINS INFORMATION THAT IS PROPRIETARY TO MOLEX INCORPORATED AND SHOULD NOT BE USED WITHOUT WRITTEN PERMISSION					



16mm幅キャリアテープ
16mm WIDTH CARRIER TAPE

16	17.5	10.1	9.1	3.7	53748-0208	20
キャリアテープ幅 CARRIER TAPE WIDTH	D	(C)	(B)	(A)	MATERIAL NO.	種数 CKT.
					MODEL NO.	53748-***8

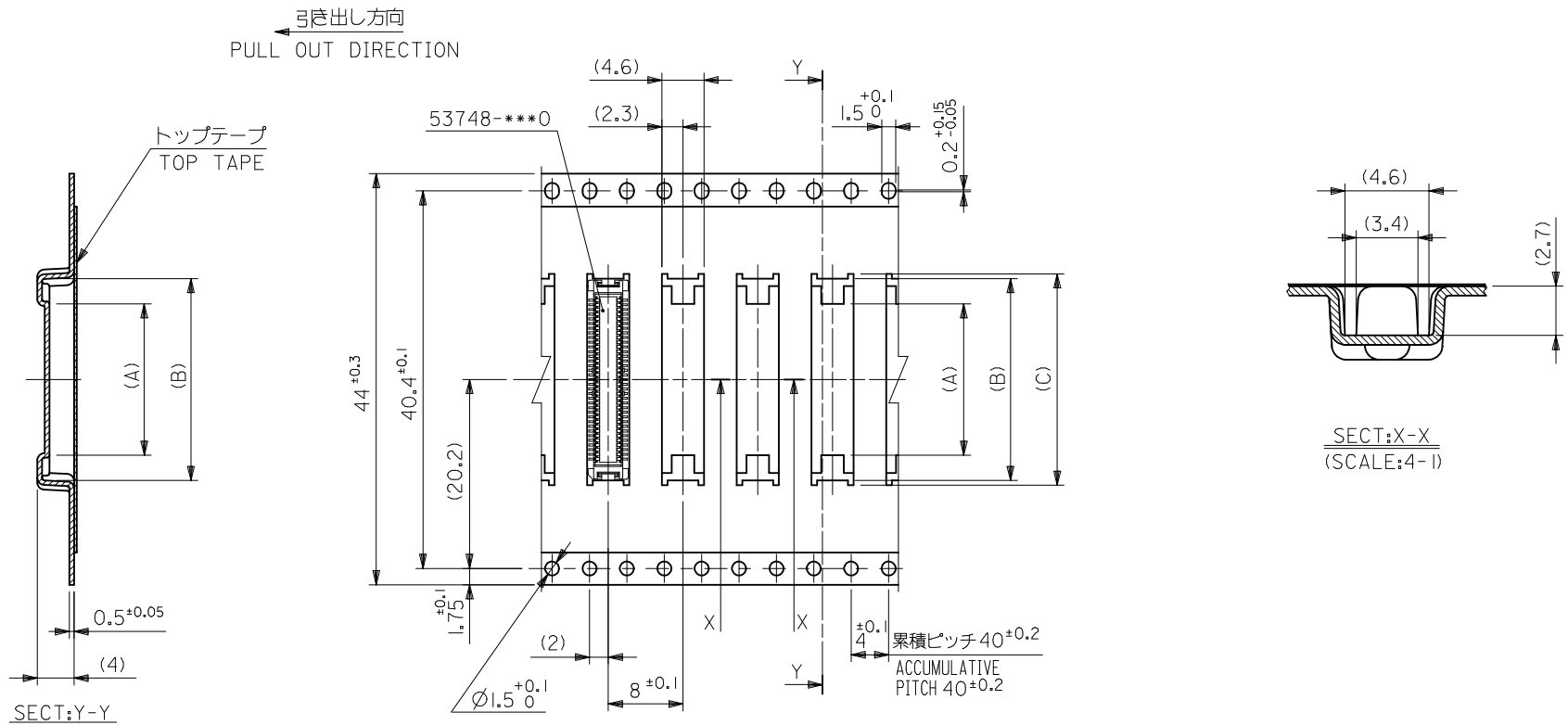
REVISED EC NO: J2009-0487 DRWN:NAKAMURA 2008/12/08 CHKD:T. HARUYAMA 2008/12/08 APPR:NUKITA 2009/01/09	DESCRIPTION REV	GENERAL TOLERANCES (UNLESS SPECIFIED)		DIMENSION STYLE MM ONLY		SCALE ---	DESIGN UNITS METRIC	THIRD ANGLE PROJECTION		
		10 UNDER	± ---	DRAWN BY T. NIITSU	DATE '95/10/17	TITLE 0.5 BTB CONN PLUG(W/O BOSS W/O NAIL)EMBSTP PKG				
		10 OVER 30 UNDER	± ---	CHECKED BY T. ITO	DATE '01/1/23	APPROVED BY M. FUKUSHIMA '01/1/23				
		30 OVER	± ---	MATERIAL NO. SEE TABLE		DOCUMENT NO. SD-53748-005		SHEET NO. 2 OF 5		
ANGULAR ± --- °		DRAFT WHERE APPLICABLE MUST REMAIN WITHIN DIMENSIONS		THIS DRAWING CONTAINS INFORMATION THAT IS PROPRIETARY TO MOLEX INCORPORATED AND SHOULD NOT BE USED WITHOUT WRITTEN PERMISSION						



24mm幅キャリアテープ
24mm WIDTH CARRIER TAPE

24	25.5	15.1	14.1	7.4	53748-0408	40
		12.6	11.6	4.9	53748-0308	30
キャリアテープ幅 CARRIER TAPE WIDTH	D	(C)	(B)	(A)	MATERIAL NO.	種数 CKT.
					MODEL NO.	53748-***8

REVISED EC NO: J2009-0487 DRWN:NAKAMURA 2008/12/08 CHKD:T. HARUYAMA 2008/12/08 APPR:NUKITA 2009/01/09	GENERAL TOLERANCES (UNLESS SPECIFIED)		DIMENSION STYLE MM ONLY		SCALE ---	DESIGN UNITS METRIC	THIRD ANGLE PROJECTION	
	10 UNDER	± ---	DRAWN BY S. AIHARA	DATE '96/4/1	TITLE 0.5 BTB CONN PLUG(W/O BOSS W/O NAIL)EMBSTP PKG			
	10 OVER 30 UNDER	± ---	CHECKED BY T. ITO	DATE '01/1/23	MOLEX INCORPORATED			
	30 OVER	± ---	APPROVED BY M. FUKUSHIMA	DATE '01/1/23	DOCUMENT NO. SD-53748-005		SHEET NO. 3 OF 5	
	ANGULAR ± --- °	DRAFT WHERE APPLICABLE MUST REMAIN WITHIN DIMENSIONS		SEE TABLE				
		THIS DRAWING CONTAINS INFORMATION THAT IS PROPRIETARY TO MOLEX INCORPORATED AND SHOULD NOT BE USED WITHOUT WRITTEN PERMISSION						



44mm幅キャリアテープ
44mm WIDTH CARRIER TAPE

44	45.5	25.1	24.1	18.7	53748-0808	80
		22.6	21.6	16.2	53748-0708	70
キャリアテープ幅 CARRIER TAPE WIDTH	D	(C)	(B)	(A)	MATERIAL NO.	種数 CKT.
					MODEL NO.	53748-***8

REVISED EC NO: J2009-0487 DRWN: NAKAMURA 2008/12/08 CHKD: T. HARIYAMA 2008/12/08 APPR: NUKITA 2009/01/09	GENERAL TOLERANCES (UNLESS SPECIFIED)		DIMENSION STYLE MM ONLY		SCALE ---	DESIGN UNITS METRIC	THIRD ANGLE PROJECTION
	10 UNDER	± ---	DRAWN BY T. YASUI	DATE '96/4/16	TITLE 0.5 BTB CONN PLUG(W/O BOSS W/O NAIL)EMBSTP PKG		
	10 OVER 30 UNDER	± ---	CHECKED BY T. ITO	DATE '01/1/23	MOLEX INCORPORATED		
	30 OVER	± ---	APPROVED BY M. FUKUSHIMA	DATE '01/1/23	DOCUMENT NO. SD-53748-005	SHEET NO. 5 OF 5	
	ANGULAR ± --- °	DRAFT WHERE APPLICABLE MUST REMAIN WITHIN DIMENSIONS		SEE TABLE			
		THIS DRAWING CONTAINS INFORMATION THAT IS PROPRIETARY TO MOLEX INCORPORATED AND SHOULD NOT BE USED WITHOUT WRITTEN PERMISSION					