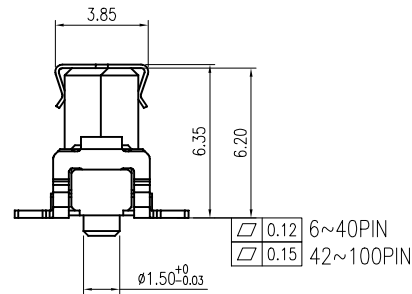
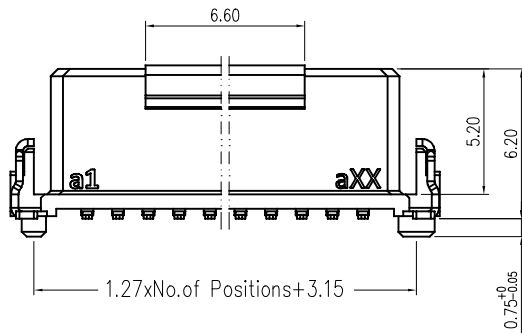
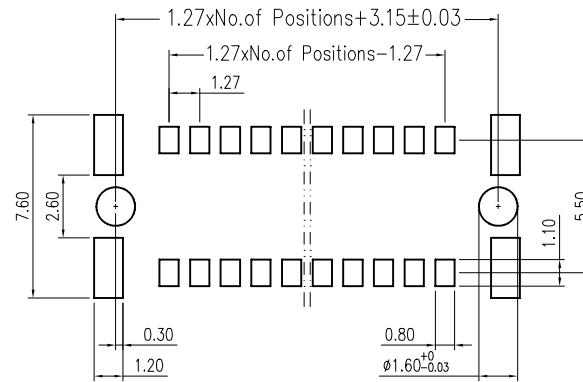
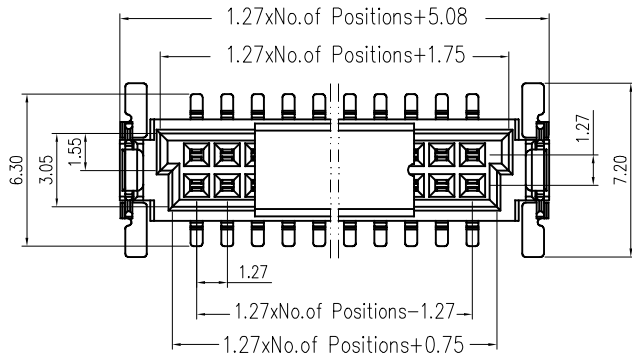


# LAT-CON 127, Female, Height 6.20 mm, Pitch 1.27 mm



NOTES:  
 Rated Current:0.5 AMP.  
 Contact Resistance:25mΩ Max.  
 Withstand Voltage:500V  
 Insulation Resistance:10000MΩ Min.  
 Operation Temperature:-55°C to +125°C

Contact Material:Phosphor Bronze  
 Contact Plating: Sn and Au over Ni  
 Tail Material: Phosphor Bronze  
 Tail Plating: Sn over Ni  
 Main Body Material: LCP

Pancon P/N	Pin
033L012-467U	12
033L016-467U	16
033L020-467U	20
033L026-467U	26
033L032-467U	32
033L040-467U	40
033L050-467U	50
033L068-467U	68
033L080-467U	80

Nr.	DATE	NOTE	NAME
19.01.2018		issued	VAV
REV			