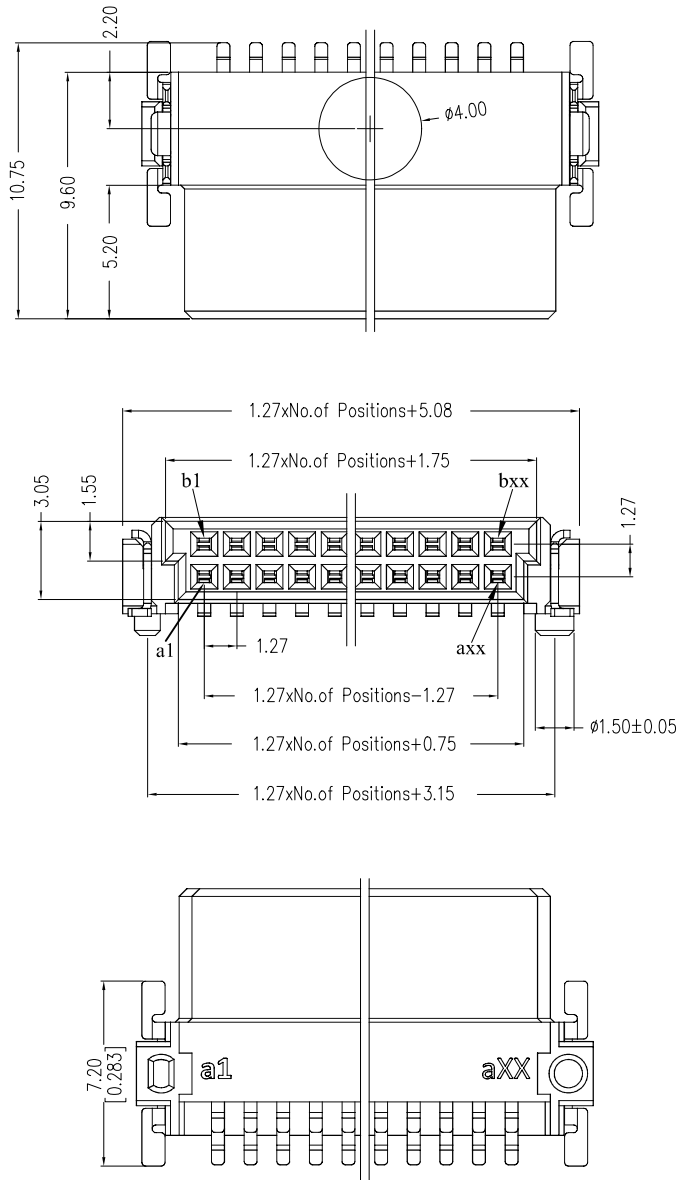
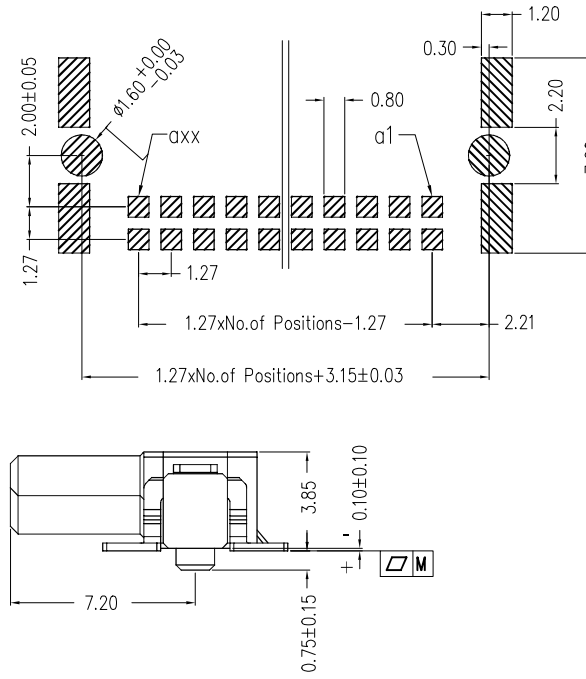


# LAT-CON 127, Female, Right angle, Pitch 1.27mm



Recommended P.C.B Layout(Top Side)  
(PCB BOARD TOLERANCE  $\pm 0.05$ )



NOTES:  
 Rated Current: 0.5~1.0 AMP.  $\Delta$   
 Contact Resistance: 25m $\Omega$  Max.  
 Withstand Voltage: 500V  
 Insulation Resistance: 10000M $\Omega$  Min.  
 Operation Temperature: -55 $^{\circ}$ C to +125 $^{\circ}$ C

Contact Material: Phosphor Bronze  
 Contact Plating: Sn and Au over Ni  
 Tail Material: Phosphor Bronze  
 Tail Plating: Sn over Ni  
 Main Body Material: LCP

Pancon P/N	Pin
033-012-467U	12
033-016-467U	16
033-020-467U	20
033-026-467U	26
033-032-467U	32
033-040-467U	40
033-050-467U	50
033-068-467U	68
033-080-467U	80

PIN	M
10~40PIN	0.12
42~100PIN	0.15

Nr.	DATE	issued	vav
REV	DATE	NOTE	NAME