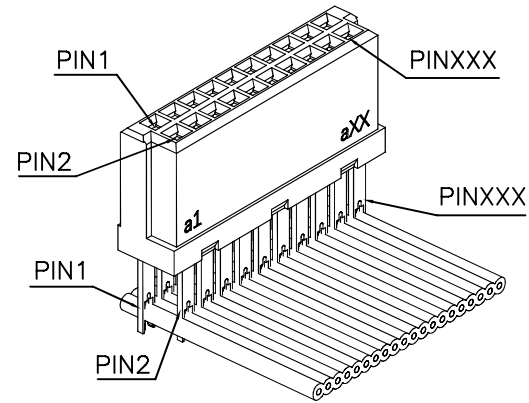
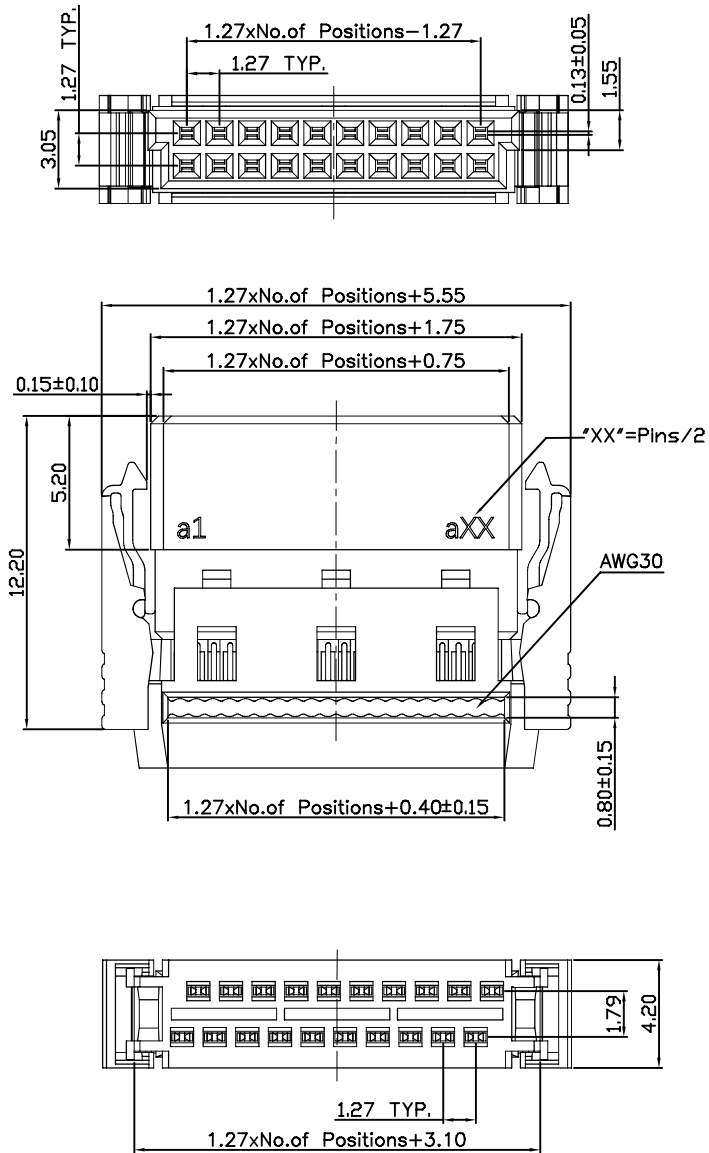
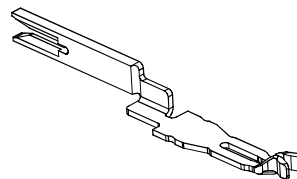
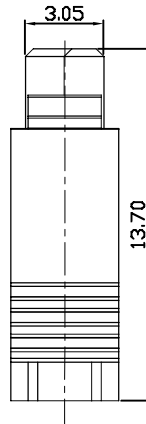


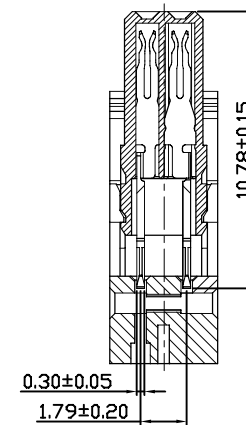
# LAT-CON 127, IDC CABLE



ASSEMBLE CABLE VIEW



Terminal VIEW



NOTES:  
 Rated Current: 0.8 AMP.  
 Contact Resistance: 25mΩ Max.  
 Withstand Voltage: 500V  
 Insulation Resistance: 10000MΩ Min.  
 Operation Temperature: -55°C to +105°C

Contact Material: Phosphor Bronze  
 Contact Plating: Sn and Au over Ni  
 Main Cover Material: LCP  
 Main Body Material: LCP

Pancon P/N	Pin
033-012-465	12
033-016-465	16
033-020-465	20
033-026-465	26
033-032-465	32
033-040-465	40
033-050-465	50
033-068-465	68
033-080-465	80

Nr.	DATE	NOTE	VAV
25.01.2018		issued	VAV
REV			NAME