

Pos	A	B	C	Pos	A	B	C
4	9.70	3.81	5.60	16	24.94	19.05	20.84
6	12.24	6.35	8.14	18	27.48	21.59	23.38
8	14.78	8.89	10.68	20	30.02	24.13	25.92
10	17.32	11.43	13.22	22	32.56	26.67	28.46
12	19.86	13.97	15.76	24	35.10	29.21	31.00
14	22.40	16.51	18.30	26	37.64	31.75	33.54

Specifications

Current Rating:1.0A AC/DC

Voltage Rating:30V AC/DC

Contact Resistance:20m Ohm. Max.

Insulation Resistance:1,000M Ohm. Min.

Withstanding Voltage:500V AC For One Minute

Operating Temperature Range:-40°C ~ +105°C

Material And Finish

Insulator:High Temp. Plastic(Nylon46 UL94V-0)

Insulator Color:Red

Contact:Phosphor Bronze

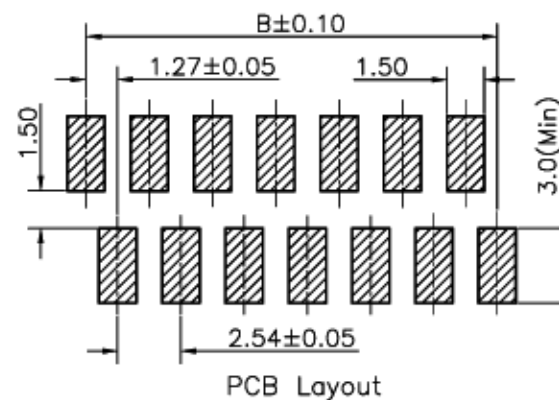
Plated:Tin Plated

Package:800Pcs/Reel

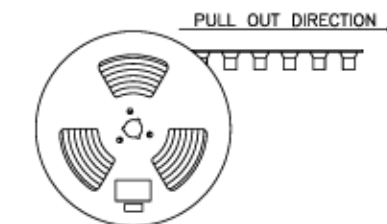
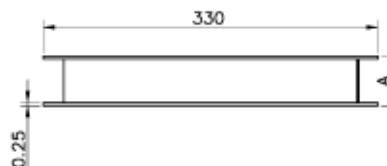
How to Order

TMM-X-X-XX-X

Type	Packaging
1-IDC Male	1 - Tape & Reel
2-IDC Plug	2 - Tube
3-DIP Male Straight	3 - Bag
4-DIP Female Straight	
5-DIP Female R/A	Number of Positions
6-SMT Female Straight	04, 06, 08, 10, 12, 14, 16, 18 or 20
	Locking System
	0-without lock L-with lock

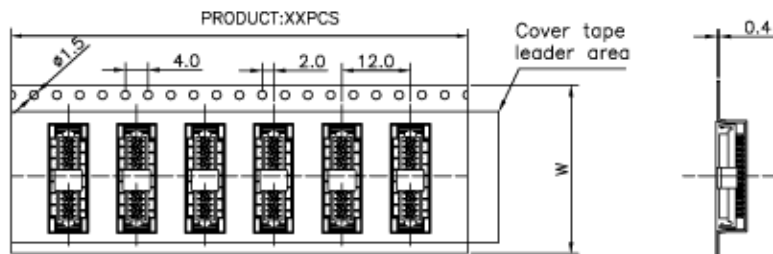


TOLERANCE (mm)	APPROVALS	DATE	TITLE	AMPHENOL Amphenol European Design Center	
X, ±0.3	DRAWN Stephane	2008/04/22	Micro Match Female SMT w/ Lock	Scale N.A.	Sheet 1 of 2
X.X, ±0.1	CHECKED Rob K.	2008/04/23			
X.XX, ±0.05	APPROVED Rob K.	2008/04/23			
UNLESS OTHERWISE SPECIFIED	UNIT MM	SIZE A4	DRAWING N° TMM-6-L-XX-1	REV. A	

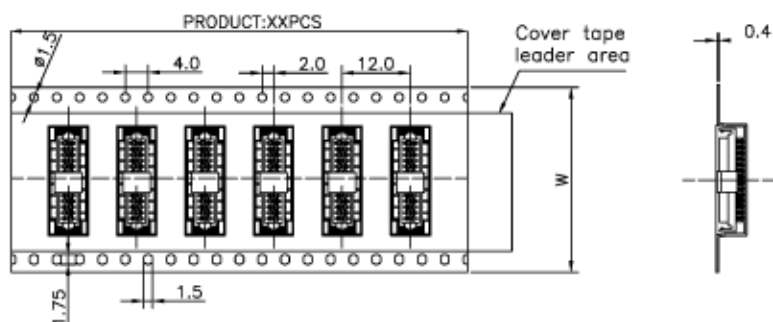


Note:

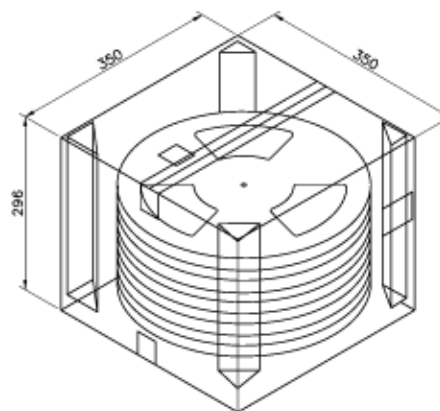
- 1.All dimensions meet EIA-481-3 requirements.
- 2.Material : Black Conductive Polystyrene Alloy
100% recyclable.
- 3.Thickness : 0.40 ± 0.05 mm
- 4.Component load per 13" reel :800 pcs.
- 5.CARTON SIZE:350*350*296(MM)



For Reel width (dimension W)16,24mm ,Single row hole



For Reel width (dimension W)32,44,56,72mm ,Double rows hole



Pin No	W	A	PCS/R	R/CTN	Q'TY
4	16	21	800	12	9600
6	24	29	800	9	7200
8	32	37	800	7	5600
10	32	37	800	7	5600
12	32	37	800	7	5600
14	44	49	800	5	4000
16	44	49	800	5	4000
18	44	49	800	5	4000
20	44	49	800	5	4000
22	44	49	800	5	4000
24	56	61	800	4	3200
26	56	61	800	4	3200

TOLERANCE (mm)	APPROVALS	DATE	TITLE	AMPHENOL Amphenol European Design Center	
X. ±0.3	DRAWN Stephane	2008/04/22	Micro Match Female SMT w/ Lock	Scale N.A.	Sheet 2 of 2
X.X ±0.1	CHECKED Rob K.	2008/04/23			
X.XX ±0.05	APPROVED Rob K.	2008/04/23			
UNLESS OTHERWISE SPECIFIED	UNIT	MM	SIZE A4	DRAWING N° TMM-6-L-XX-1	REV. A