

**Specifications:**

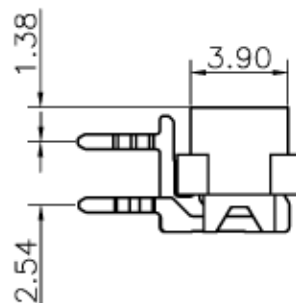
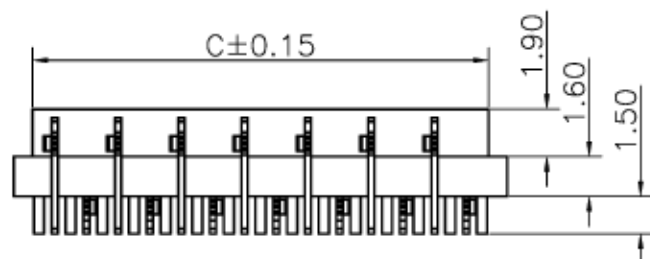
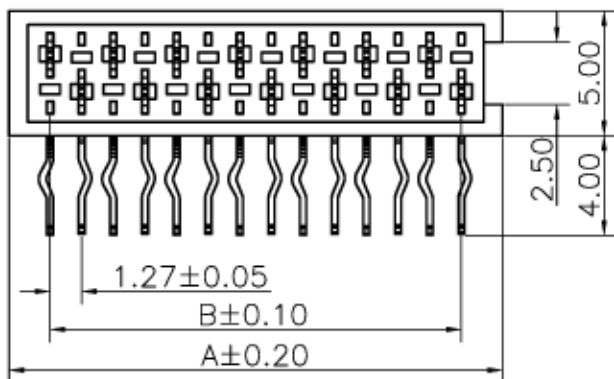
Current rating: 1.0A AC, DC  
 Voltage rating: 30V AC, DC  
 Contact resistance: 20m ohm. Max.  
 Insulation resistance: 1000M ohm. Min.  
 Withstanding voltage: AC 500V AC/minute  
 Operating temperature range: -40°C ~ +105°C  
**Materials:**

Insulator: High Temp. Plastic (UL94V-0)  
 Contact material: Phosphor Bronze  
 Finish: Tin Plated

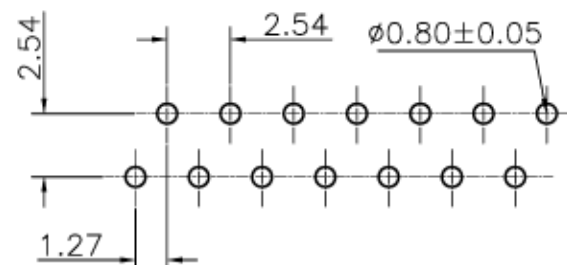
**How to Order**

**TMM-X-X-XX-X**

<b>Type</b>	<b>Packaging</b>
1-IDC Male	1 - Tape & Reel
2-IDC Plug	2 - Tube
3-DIP Male Straight	3 - Bag
4-DIP Female Straight	
5-DIP Female R/A	
6-SMT Female Straight	
<b>Locking System</b>	<b>Number of Positions</b>
0-without lock	04, 06, 08, 10, 12,
L-with lock	14, 16, 18 or 20



Pos	A	B	C	Pos	A	B	C
4	7.00	3.81	5.60	16	22.24	19.05	20.84
6	9.54	6.35	8.14	18	24.78	21.59	23.38
8	12.08	8.89	10.68	20	27.32	24.13	25.92
10	14.62	11.43	13.22	22	29.86	26.67	28.46
12	17.16	13.97	15.76	24	32.40	29.21	31.00
14	19.70	16.51	18.30	26	34.94	31.75	33.54



PCB Layout



TOLERANCE (mm)	APPROVALS	DATE	TITLE	AMPHENOL Amphenol European Design Center	
X: ±0.3	DRAWN <b>Stephane</b>	2006/04/22	<b>Micro Match R/A DIP type Female</b>	Scale N.A.	Sheet 1 of 1
X.X: ±0.1	CHECKED <b>Rob K.</b>	2006/04/23			
X.XX: ±0.05	APPROVED <b>Rob K.</b>	2006/04/23			
UNLESS OTHERWISE SPECIFIED	UNIT:	MM	SIZE: A4	DRAWING N°: TMM-5-0-XX-X	REV: A