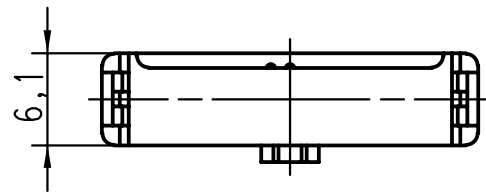
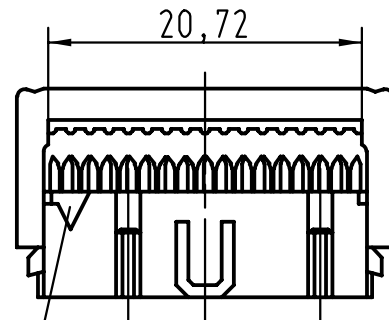
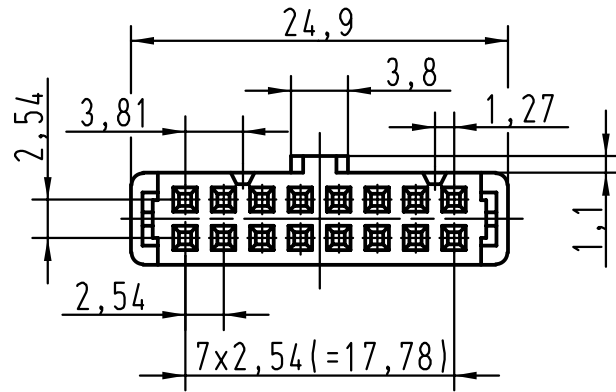
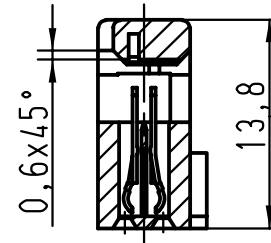


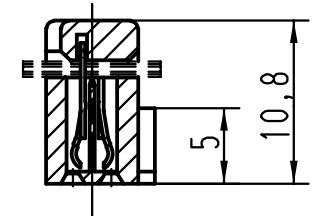
5 4 3 2 1



vorverrastet
pre assembled



verrastet
fitted
assemble



- 1) Markierung erster Kontakt, Ader 1 des Flachkabels
- 1) Contact no.1, 1st contact wire of flat cable
- 1) Contact no.1, repère 1 du câble

		All Dimensions in mm Original Size DIN A 4			Techn. Character.			Nicht tolerierte Masse/ Free size tolerances					
					Detail.		Dat.	Name	Massstab/ Scale 2:1		SEK 18 Female Connector 16 poles with central polarisation cover without cable stop		
09185165803		0,76 μm Au			Insp.		01-FEB-00	JMV					
09185166803		2			Stand.								
09185167803		3											
Bestell-Nr. Part-No. Reference		Anforderungsstufe performance level Niveau de qualite			26570		01-FEB-00	JB	HARTING EURL F-95972 Paris			TB 0918516X803	Blatt/ page 1 / 1
					Mod.		Dat.	Name	Sub.				