

- 注記NOTES
- 1.使用材料  
MATERIAL  
ハウジング : 46ナイロン、ガラス充填、UL94V-0、白  
HOUSING: PA46, GLASS FILLED, UL94V-0, WHITE  
アクチュエータ : ポリフェニレンサルフィド (PPS)、ガラス充填、UL94V-0、茶色  
ACTUATOR: POLYPHENYLENE SULFIDE, GLASS FILLED, UL94V-0, BROWN  
ターミナル : リン青銅、ニッケル下地金めっき (t=0.2)  
TERMINAL: PHOSPHOR BRONZE, GOLD OVER NICKEL PLATING  
金具 : リン青銅、ニッケル下地錫めっき (t=0.2)  
FITTING NAIL: PHOSPHOR BRONZE, TIN OVER NICKEL PLATING
  - 2.エンボステープ梱包時は、アクチュエータがロックした状態になります。  
IN THE PACKAGE, ACTUATOR OF PART NO.52437-\*\*29 SHOULD BE LOCKED.
  - 3.ソルダーテール半田付け面のズレ量、及び金具半田付け面のズレ量は、基準面Hに対して上方向に0.1MAXIMUM、下方向0.15MAXIMUMとする。  
MISALIGNMENT OF SOLDER TAILS AND FITTING NAILS FROM DATUM-H.  
UPPER DIRECTON: 0.1MAXIMUM  
LOWER DIRECTION: 0.15 MAXIMUM
  - 4.偶数極に適用  
APPLY FOR EVEN CIRCUIT.
  - 5.パターン剥離止め金具  
FITTING NAIL FOR PREVENTION OF PEELING OF P.W.B. PATTERN.
  - 6.R0.3は、FPCの導体部にかからないこと  
R0.3 MUST NOT BE OVERLAPED TO PATTERN OF FPC.
  - 7.ソルダーテールの平坦度は、0.1MAXIMUMとする。  
SOLDER TAIL COPLANARITY IS 0.1 MAXIMUM.
  - 8.ELV 及び RoHS 適合品  
ELV AND RoHS COMPLIANT

21.6	19.6	15.65	14.5	52437-3071	30
21.1	19.1	15.15	14.0	52437-2971	29
20.6	18.6	14.65	13.5	52437-2871	28
20.1	18.1	14.15	13.0	52437-2771	27
19.6	17.6	13.65	12.5	52437-2671	26
19.1	17.1	13.15	12.0	52437-2571	25
18.6	16.6	12.65	11.5	52437-2471	24
18.1	16.1	12.15	11.0	52437-2371	23
17.6	15.6	11.65	10.5	52437-2271	22
17.1	15.1	11.15	10.0	52437-2171	21
D	C	B	(A)	EMBOSSED PACKAGE	極数
ORDER No. オーダー番号					CKT.

CONNECTOR SERIES NO. : 52437-\*\*29

GENERAL TOLERANCES (UNLESS SPECIFIED)	
10 UNDER	± 0.2
10 OVER 30 UNDER	± 0.25
30 OVER	± 0.3
ANGULAR ± 3°	
DRAFT WHERE APPLICABLE MUST REMAIN WITHIN DIMENSIONS	

THIS DRAWING CONTAINS INFORMATION THAT IS PROPRIETARY TO MOLEX ELECTRONIC TECHNOLOGIES, LLC AND SHOULD NOT BE USED WITHOUT WRITTEN PERMISSION

DIMENSION UNITS SCALE mm 10:1

CURRENT REV DESC:

GENERAL TOLERANCES (UNLESS SPECIFIED)

ANGULAR TOL ± 30°

4 PLACES ± 0.2

3 PLACES ± 0.25

2 PLACES ± 0.3

1 PLACE ±

0 PLACES ±

DRAFT WHERE APPLICABLE MUST REMAIN WITHIN DIMENSIONS

THIRD ANGLE PROJECTION

DRAWING A3-SIZE

SERIES 52437

EC NO: 600082

DRWN: YCHEN128 2018/03/02

CHK'D: KTAKAHASHI 2018/03/14

APPR: NUKITA 2018/03/14

INITIAL REVISION:

DRWN: MUMEDA 2004/12/20

APPR: NUKITA 2004/12/24

**molex**

0.5 FPC CONN.ZIF FOR SMT R/A (BOTTOM CONTACT) GOLD PLATING

PRODUCT CUSTOMER DRAWING

DOCUMENT NUMBER SD-52437-019

DOC TYPE PSD

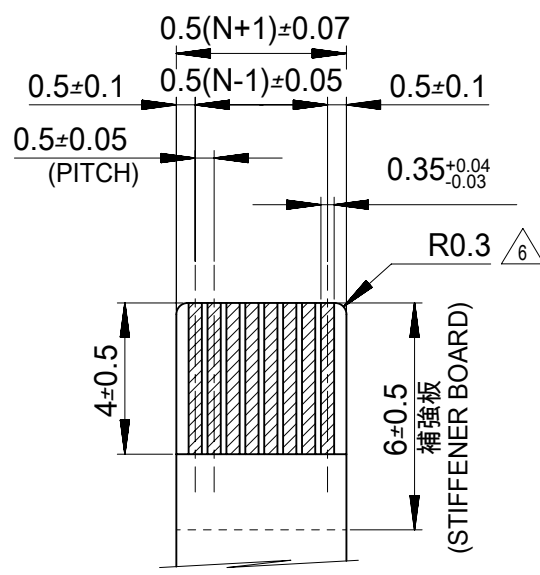
DOC PART 001

REVISION F

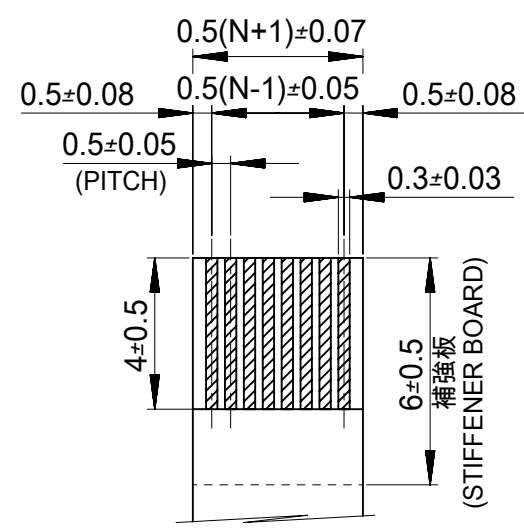
MATERIAL NUMBER SEE TABLE

CUSTOMER GENERAL MARKET

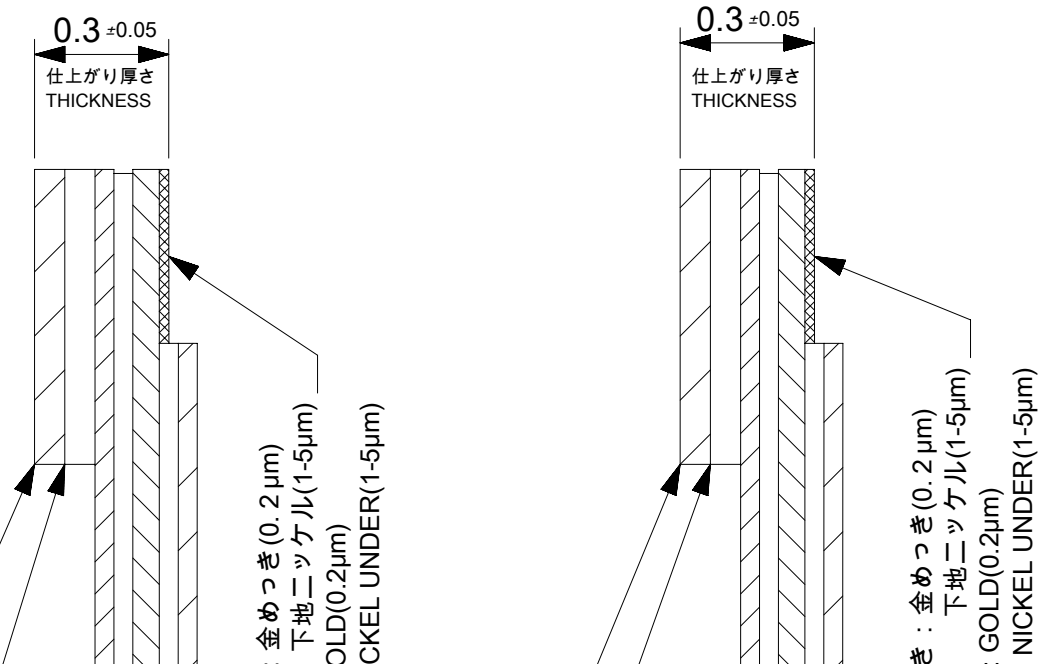
SHEET NUMBER 1 OF 2



適合金めっきFPC推奨寸法  
 APPLICABLE FPC OF GOLD  
 PLATING RECOMMENDED DIMENSION  
 仕上がり厚さ : 0.3±0.05  
 THICKNESS: 0.3±0.05/-0.05



適合金めっきFFC推奨寸法  
 APPLICABLE FFC OF GOLD  
 PLATING RECOMMENDED DIMENSION  
 仕上がり厚さ : 0.3±0.05  
 THICKNESS: 0.3±0.05/-0.05

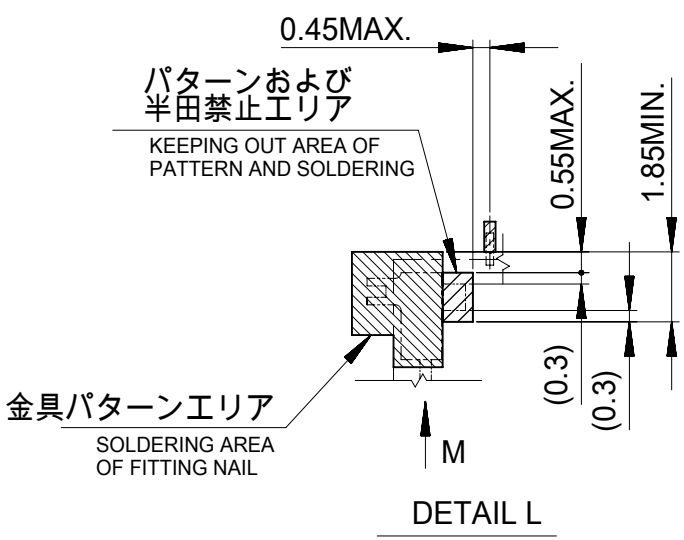


- FPC構成推奨仕様**  
 STRUCTURE OF FPC
- 補強板 : ポリイミド REINFORCE BOARD: POLYIMIDE
  - 熱硬化接着剤 THERMOSETTING ADHESIVE
  - ベースフィルム : ポリイミド(25μm) BASE FILM: POLYIMIDE(25μm)
  - 熱硬化接着剤 THERMOSETTING ADHESIVE
  - 導体部 : 銅箔(35μm) CONDUCTOR: COPPER FOIL (35μm)
  - 熱硬化接着剤 THERMOSETTING ADHESIVE
  - カバーレイ : ポリイミド(25μm) COVER FILM: POLYIMIDE(25μm)

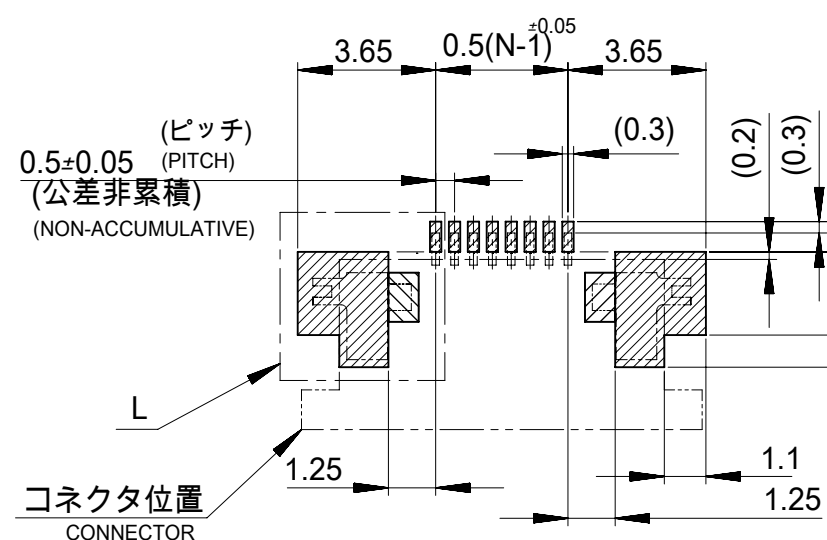
- FFC構成推奨仕様**  
 STRUCTURE OF FFC
- 補強板 : ポリエステル系 REINFORCE BOARD: PET
  - 接着剤(難燃ポリエステル系) ADHESIVE (FLAME-RETARDANT POLYESTER ADHESIVE)
  - 絶縁テープ : ポリエステル系(25μm) INSULATING FILM: PET(25μm)
  - 接着剤(難燃ポリエステル系) ADHESIVE (FLAME-RETARDANT POLYESTER ADHESIVE)
  - 導体部 : 銅箔(35μm or 50μm) CONDUCTOR: COPPER FOIL (35μm or 50μm)
  - 接着剤(難燃ポリエステル系) ADHESIVE (FLAME-RETARDANT POLYESTER ADHESIVE)
  - 絶縁テープ : ポリエステル系(25μm) INSULATING FILM: PET(25μm)

**FPCについて**  
 打ち抜き方向は導体側から補強板を推奨いたします。  
 補強フィルム材質はポリイミドを推奨いたします。  
 接着剤は熱効果接着剤を推奨致します。

ABOUT FPC :  
 RECOMMENDED PUNCHER DIRECTION : FROM CONDUCTOR SIDE TO STIFFNER BOARD SIDE.  
 RECOMMENDED MATERIAL :  
 STIFFNER FILM : POLYIMIDE  
 BONDING AGENT : THERMOSETTING BONDING AGENT

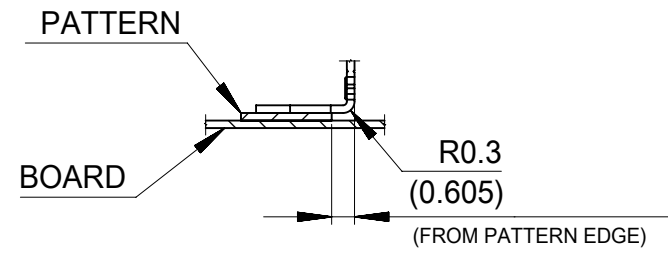


**DETAIL L**



**コネクタ位置**  
 CONNECTOR POSITION

参考基板レイアウト  
 (マウント面)  
 RECOMMENDED P.C.BOARD  
 PATTERN DIMENSION (REF.)  
 (MOUNTING SIDE)



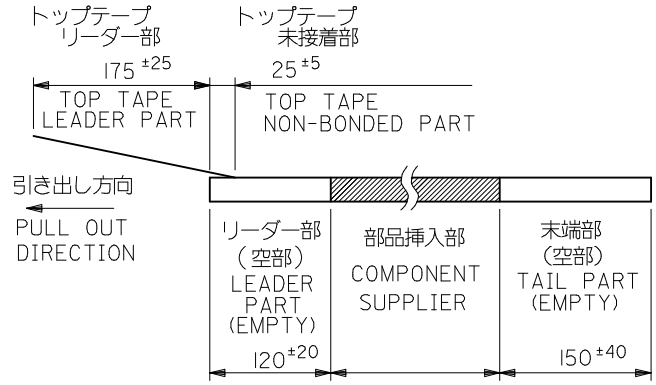
**VIEW M**  
 (DETAIL OF FITTING NAIL ON PATTERN)

GENERAL TOLERANCES (UNLESS SPECIFIED)	
10 UNDER	± 0.2
10 OVER 30 UNDER	± 0.25
30 OVER	± 0.3
ANGULAR ± 3 °	
DRAFT WHERE APPLICABLE MUST REMAIN WITHIN DIMENSIONS	

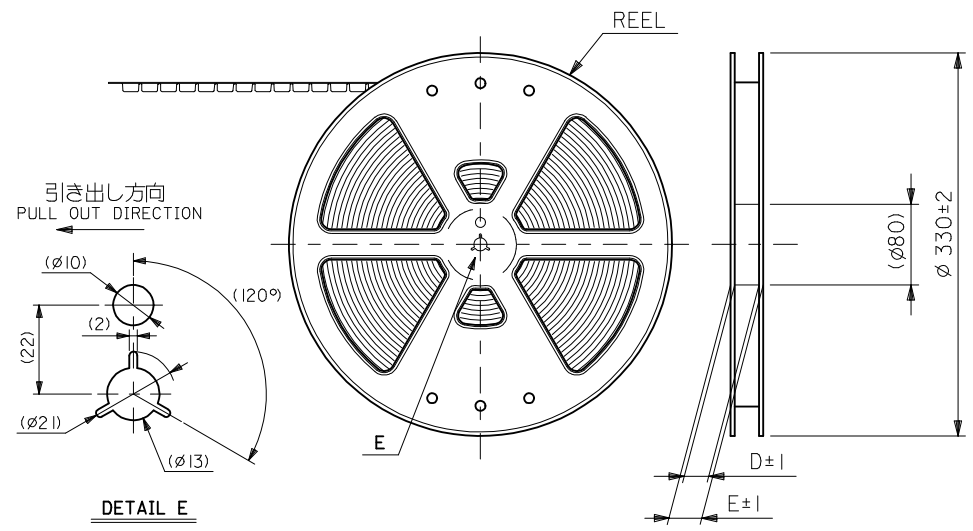
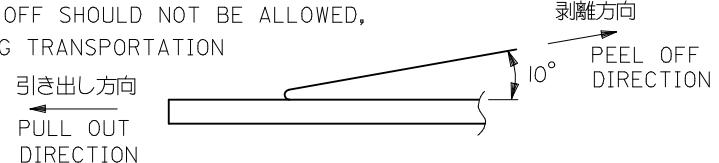
THIS DRAWING CONTAINS INFORMATION THAT IS PROPRIETARY TO MOLEX ELECTRONIC TECHNOLOGIES, LLC AND SHOULD NOT BE USED WITHOUT WRITTEN PERMISSION		CURRENT REV DESC:		<b>molex</b>	
DIMENSION UNITS	SCALE				
mm	5:1			0.5 FPC CONN.ZIF FOR SMT R/A (BOTTOM CONTACT) GOLD PLATING	
GENERAL TOLERANCES (UNLESS SPECIFIED)		EC NO: 600082		DOCUMENT NUMBER	
ANGULAR TOL ± 3.0 °		DRWN: YCHEN128	2018/03/02	SD-52437-019	
4 PLACES ± 0.2		CHK'D: KTAKAHASHI	2018/03/14	DOC TYPE	DOC PART
3 PLACES ± 0.25		APPR: NUKITA	2018/03/14	PSD	001
2 PLACES ± 0.3		INITIAL REVISION:		REVISION	F
1 PLACE ±		DRWN: MUMEDA	2004/12/20	MATERIAL NUMBER	
0 PLACES ±		APPR: NUKITA	2004/12/24	CUSTOMER	SHEET NUMBER
DRAFT WHERE APPLICABLE MUST REMAIN WITHIN DIMENSIONS		THIRD ANGLE PROJECTION	DRAWING	SERIES	MATERIAL NUMBER
		⊕	A3-SIZE	52437	SEE SHEET 1
				CUSTOMER	GENERAL MARKET

注記 NOTES

- 製品番号52437-\*\*29の梱包状態はアクチュエータがロックした状態とする。  
製品の詳細寸法については図面SD-52437-019を参照下さい。  
IN THE PACKAGE, ACTUATOR OF PART NO. 52437-\*\*29 SHOULD BE LOCKED RE DETAILED DIMENSIONS, SEE SD-52437-019.
- 梱包数量：1000個/リール  
NUMBER OF CONNECTORS:1000PCS/REEL
- リードテープ長さ LEAD TAPE LENGTH

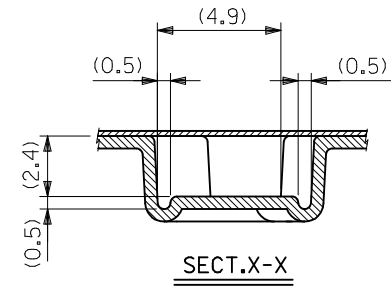
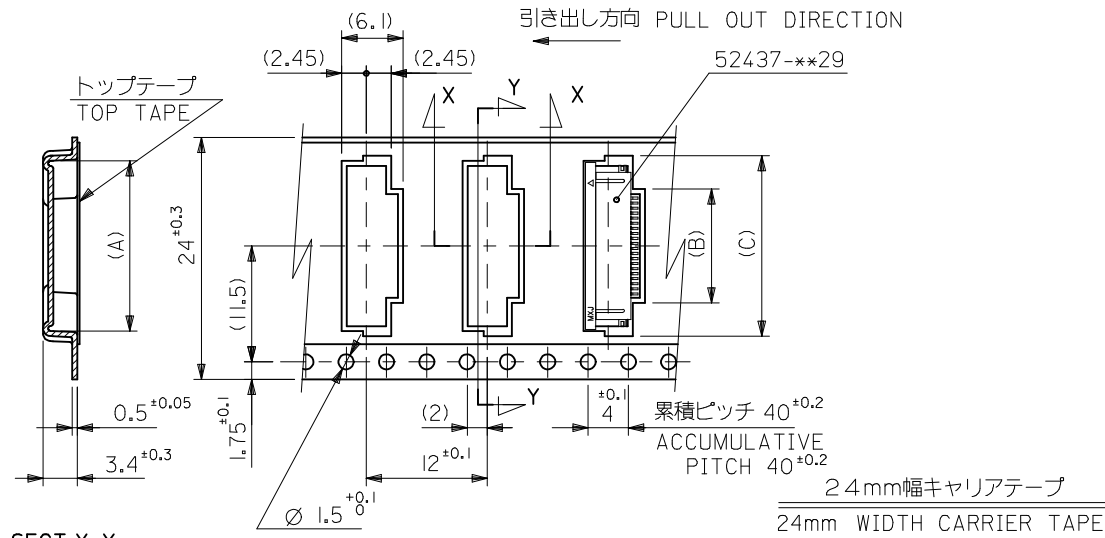


- トップテープの剥離強度：(剥離方向は下図参照)  
0.1N~1.3N {10gf~130gf}尚、本規格値は、出荷時に適用。  
(但し、輸送時に剥離が発生しない事。)  
PEELING OFF FORCE OF TOP TAPE  
0.1N ~1.3N {10gf ~130gf} (PEELING DIRECTION AS SHOWN IN FOLLOWING FIG.)  
THIS REQUIREMENT SHOULD BE APPLIED AT SHIPMENT  
PEEL OFF SHOULD NOT BE ALLOWED,  
DURING TRANSPORTATION

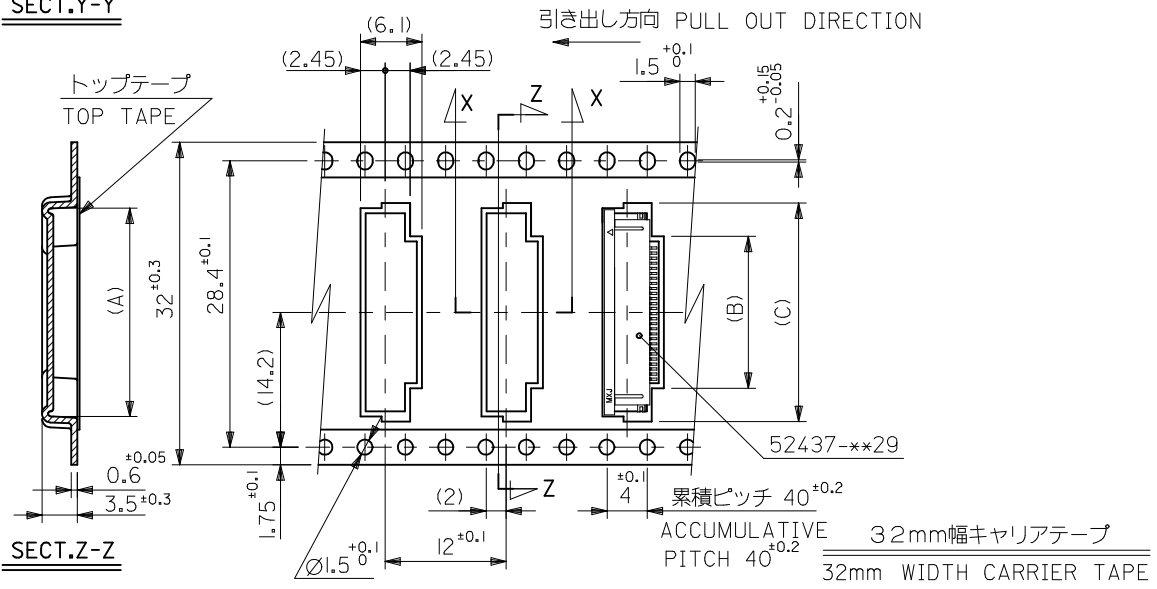


- 材料 (MATERIAL)  
キャリアテープ (CARRIER TAPE) : ポリプロピレン (POLYPROPYLENE)  
トップテープ (TOP TAPE) : PET, PE, PEF  
リール (REEL) : ポリスチレン (PS) <リサイクル材を含む>  
POLYSTYREN (PS) <RECYCLE MATERIAL CONTAINED>
- 本製品は 52437-\*\*91 の鉛フリー品である。  
THIS PRODUCT IS LEAD FREE OF 52437-\*\*91.

REVISED EC NO: J2014-0114 2013/07/22 DRWN: INOUE01 CHKD: HIJIMA APPR: YNOGAWA 2013/07/29	DESCRIPTION REV	GENERAL TOLERANCES (UNLESS SPECIFIED)		DIMENSION STYLE MM ONLY		SCALE ---	DESIGN UNITS METRIC	MODEL NO.	52437-**71
		10 UNDER	±0.2	DRAWN BY M.UMEDA	DATE 2004-12/08	TITLE 0.5 FPC CONN. ZIF SMT RA WITH TAPE EMBSTP PKG -LEAD FREE-			
		10 OVER 30 UNDER	±0.25	CHECKED BY K.TOYODA	DATE 2004-12/08				
		30 OVER	±0.3	APPROVED BY N.UKITA	DATE 2004-12/08				
ANGULAR ±3 °		DRAFT WHERE APPLICABLE MUST REMAIN WITHIN DIMENSIONS		MATERIAL NO. SEE CHART		DOCUMENT NO. SD-52437-020		SHEET NO. 1 OF 3	
THIS DRAWING CONTAINS INFORMATION THAT IS PROPRIETARY TO MOLEX INCORPORATED AND SHOULD NOT BE USED WITHOUT WRITTEN PERMISSION									



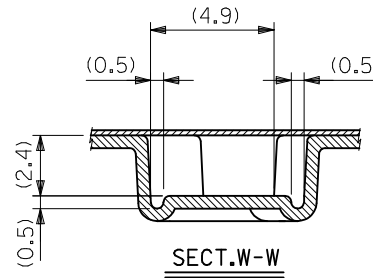
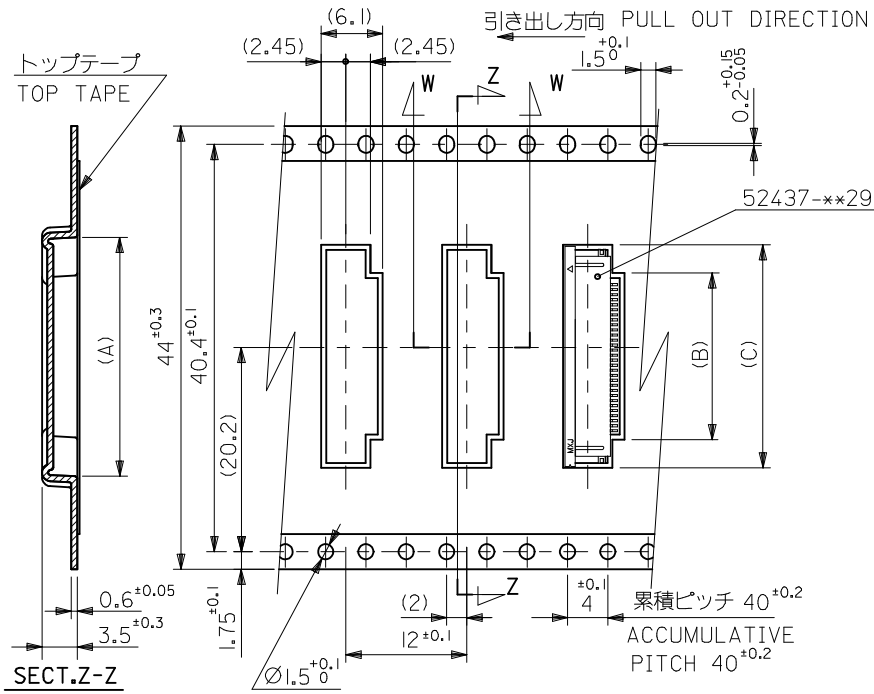
SECT.Y-Y



SECT.Z-Z

32	37.4	33.4	22.4	15.8	21.4	52437-2971	29
			21.9	15.3	20.9	52437-2871	28
			21.4	14.8	20.4	52437-2771	27
			20.9	14.3	19.9	52437-2671	26
			20.4	13.8	19.4	52437-2571	25
			19.9	13.3	18.9	52437-2471	24
			19.4	12.8	18.4	52437-2371	23
18.9	12.3	17.9	52437-2271	22			
24	29.4	25.4	18.4	11.8	17.4	52437-2171	21
キャリアテープ幅 CARRIER TAPE WIDTH	E	D	(C)	(B)	(A)	MATERIAL NO.	極数 CIRCUIT
						MODEL NO.	52437-**71

REVISED EC NO: J2014-0114 2013/07/22 DRWN: INOUE01 2013/07/29 CHKD: HIJIMA 2013/07/29 APPR: YNOGAWA	GENERAL TOLERANCES (UNLESS SPECIFIED)		DIMENSION STYLE	SCALE	DESIGN UNITS	TITLE 0.5 FPC CONN. ZIF SMT RA WITH TAPE EMBSTP PKG -LEAD FREE- <b>molex</b> DOCUMENT NO. SD-52437-020 SHEET NO. 2 OF 3
	10 UNDER ±0.2		MM ONLY	---	METRIC	
	10 OVER 30 UNDER ±0.25		DRAWN BY	DATE	TITLE	
	30 OVER ±0.3		M.UMEDA	2004/12/08	0.5 FPC CONN. ZIF SMT RA WITH TAPE EMBSTP PKG -LEAD FREE-	
ANGULAR ±3 °		CHECKED BY	DATE			
DRAFT WHERE APPLICABLE MUST REMAIN WITHIN DIMENSIONS		K.TOYODA	2004/12/08			
		APPROVED BY	DATE			
		N.UKITA	2004/12/08			
		MATERIAL NO.	SEE CHART			
		THIS DRAWING CONTAINS INFORMATION THAT IS PROPRIETARY TO MOLEX INCORPORATED AND SHOULD NOT BE USED WITHOUT WRITTEN PERMISSION				



44mm幅キャリアテープ  
44mm WIDTH CARRIER TAPE

44	49.4	45.4	22.9	16.3	21.9	52437-3071	30
キャリアテープ幅 CARRIER TAPE WIDTH	E	D	(C)	(B)	(A)	MATERIAL NO.	極数 CIRCUIT
						MODEL NO.	25437-**71

REVISED EC NO: J2014-0114 DRWN: INOUE01 2013/07/29 CHKD: HIJIMA 2013/07/29 APPR: YNOGAWA 2013/07/29	GENERAL TOLERANCES (UNLESS SPECIFIED)		DIMENSION STYLE MM ONLY		SCALE ---	DESIGN UNITS METRIC	THIRD ANGLE PROJECTION
	10 UNDER	±0.2	DRAWN BY M.UMEDA	DATE 2004/12/08	TITLE 0.5 FPC CONN. ZIF SMT RA WITH TAPE EMBSTP PKG -LEAD FREE-		
	10 OVER 30 UNDER	±0.25	CHECKED BY K.TOYODA	DATE 2004/12/08	<b>molex</b> DOCUMENT NO. SD-52437-020 SHEET NO. 3 OF 3		
	30 OVER	±0.3	APPROVED BY N.UKITA	DATE 2004/12/08			
	ANGULAR ±3 °	MATERIAL NO. SEE CHART		THIS DRAWING CONTAINS INFORMATION THAT IS PROPRIETARY TO MOLEX INCORPORATED AND SHOULD NOT BE USED WITHOUT WRITTEN PERMISSION			
	DRAFT WHERE APPLICABLE MUST REMAIN WITHIN DIMENSIONS		SIZE A3				