

PRODUCT NUMBER
76382-YXX

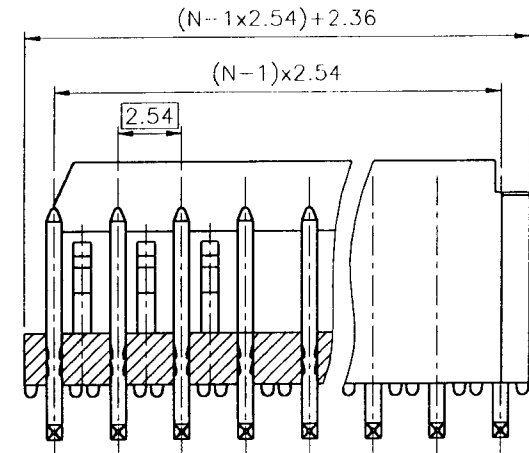
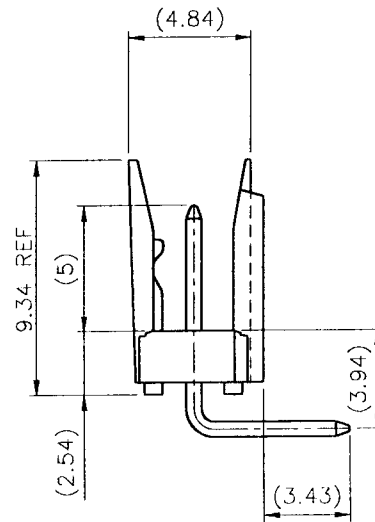
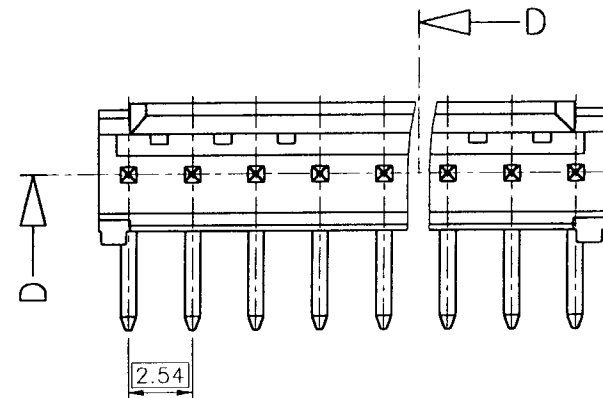
NUMBER OF POSITIONS: 02 TO 36.

PLATING CODE

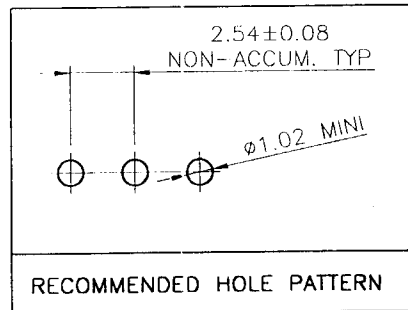
- 3= 0.76µm GOLD ON CONTACT AREA.
3.81µm TIN-LEAD ON TAIL.
- 4= 5µm TIN-LEAD ON CONTACT AREA.
3.81µm TIN-LEAD ON TAIL.

NOTES:

- 1 - HOUSING MAT'L: THERMOPLASTIC GLASS FILLED
FLAME RETARDANT PER UL 94 V-0 COLOR: BLUE.
- 2 - TERMINAL MATERIAL: PHOSPHOR BRONZE.
- 3 - 1 UP TO 6 POSITIONS PRODUCT PACKED IN PLASTIC BAG.
7 UP TO 36 POSITIONS PRODUCT PACKED IN TUBE.
- 4 - TO DETERMINE DIMENSIONS:
N = NUMBER OF POSITIONS
EXAMPLE: 8 POS: (N x 2.54) - 1 = 19.32 mm
- 5 - MINI PUSH-OUT FORCE TERMINAL IN BOTH
DIRECTIONS 22N.



SECTION D-D



mat'l code SEE NOTE				tolerances unless otherwise specified			CUSTOMER COPY		ELECTRONICS www.fciconnect.com	
tr	ecn no	dr	date	linear	angles		projection ⊕	title		
J	F90331	DLE	99.05.07					SHR. HEADER		
K	F10120	DLF	01.01.24				mm ← →	product family		code
								DUBOX		213
							scale 5:1	size dwg no		sheet
								A3 76382		1 of 1
sheet index	revision	K	1							