



Product information STASEI 200 grau/grey

Industrial Connecting Solutions:Rectangular Connectors:Power Connectors (ST series):Panel-mounted connector:STASEI 200 grau/grey

<http://www.e-catalog.beldensolutions.com/link/57078-24228-256261-24351-24356-36010/en/conf/ui/istate>

Name STASEI 200 grau/grey



Panel-mounted connector with coding fin and added gasket

Delivery informations

Availability available

Product description

Description Panel-mounted connector with coding fin and added gasket

Type STASEI 200 grau/grey

Order No. 932 048-106

Type of contact male

Number of contacts 2 + PE

Conductor size max. 1.5 mm²

Housing Color grey

Contact bearer color black

Technical data

Pin dimensions 2 mm

Rated voltage AC/DC 250 V

Rated current DC 10 A / AC 16 A

Contact resistance <= 5 mOhm

Type of termination screws

Mounting Schrauben

Material

Contact material Cu Zn

Contact surface material Sn

Contact bearer material PA

Housing material PA

Environmental conditions

Protection class (IEC 60529) IP 54

Pollution severity 3

Temperature range -30 °C to +90 °C

Inflammability class

Housing UL 94 HB

Contact bearer UL 94 V-0

Approvals

UL UL

VDE VDE

SEV SEV

Packing unit

Packaging unit 100 pieces

Scope of delivery and accessories

Accessories to order separately safety brackets STASI 2,
order no. 732 044-000



HIRSCHMANN

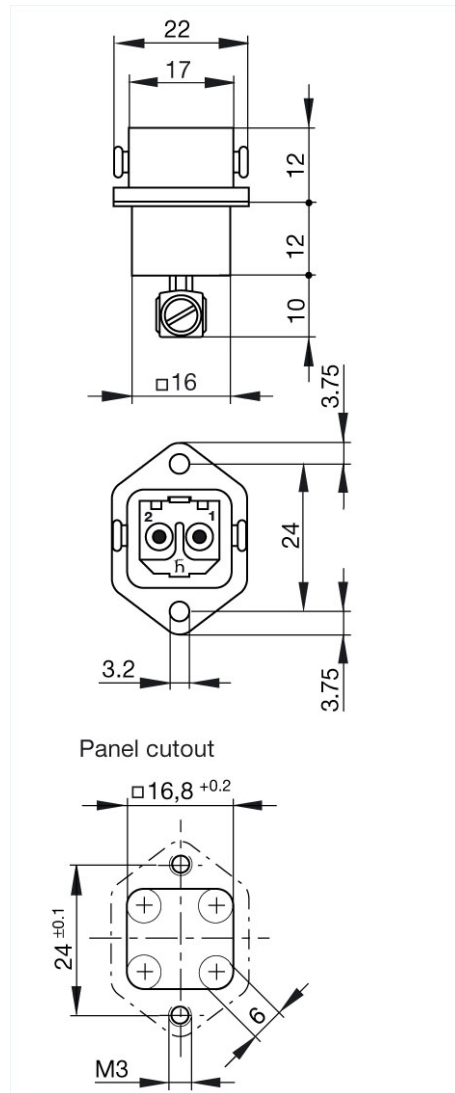
A BELDEN BRAND

Industrial Connecting Solutions:Rectangular Connectors:Power Connectors (ST series):Panel-mounted connector:STASEI 200 grau/grey

<http://www.e-catalog.beldensolutions.com/link/57078-24228-256261-24351-24356-36010/en/conf/ui/state>

Picture

Drawing



Belden Deutschland GmbH

Im Gewerbepark 2

58579 Schalksmühle

Germany

Phone: +49 7127/14-1806

E-Mail: icos-sales@belden.com

The information published in the websites has been compiled as carefully as possible. It is subject to alteration without notice in technical as well as in price-related/commercial respect. The complete information and data were available on user documentation. Mandatory information can only be obtained by a concrete query.