




Product information STAKEI 2 grau/grey

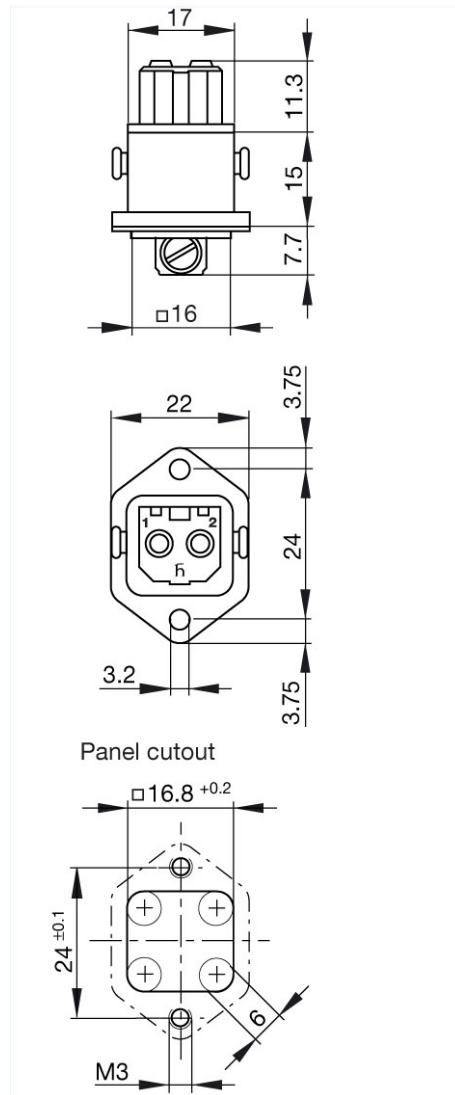
Industrial Connecting Solutions:Rectangular Connectors:Power Connectors (ST series):Panel-mounted socket:STAKEI 2 grau/grey

<http://www.e-catalog.beldensolutions.com/link/57078-24228-256261-24351-24353-35739/en/conf/ui/state>

| | |
|--|---|
| Name | STAKEI 2 grau/grey |
| |  |
| | Panel-mounted socket, added gasket |
| Delivery informations | |
| Availability | available |
| Product description | |
| Description | Panel-mounted socket, added gasket |
| Type | STAKEI 2 grau/grey |
| Order No. | 930 647-106 |
| Type of contact | female |
| Number of contacts | 2 + PE |
| Conductor size | max. 1.5 mm ² |
| Housing Color | grey |
| Contact bearer color | black |
| Technical data | |
| Pin dimensions | 2 mm |
| Rated voltage | AC/DC 250 V |
| Rated current | DC 10 A / AC 16 A |
| Contact resistance | <= 5 mOhm |
| Type of termination | screws |
| Mounting | Schrauben |
| Material | |
| Contact material | Cu Zn |
| Contact surface material | Sn |
| Contact bearer material | PA |
| Housing material | PA |
| Environmental conditions | |
| Protection class (IEC 60529) | IP 54 |
| Pollution severity | 3 |
| Temperature range | -30 °C to +90 °C |
| Inflammability class | |
| Housing | UL 94 HB |
| Contact bearer | UL 94 V-0 |
| Approvals | |
| UL | UL |
| VDE | VDE |
| SEV | SEV |
| Packing unit | |
| Packaging unit | 100 pieces |
| Scope of delivery and accessories | |
| Accessories to order separately | safety brackets STASI 2, order no. 732 044-000 |

Picture

Drawing



Belden Deutschland GmbH

Im Gewerbepark 2

58579 Schalksmühle

Germany

Phone: +49 7127/14-1806

E-Mail: icos-sales@belden.com

The information published in the websites has been compiled as carefully as possible. It is subject to alteration without notice in technical as well as in price-related/commercial respect. The complete information and data were available on user documentation. Mandatory information can only be obtained by a concrete query.