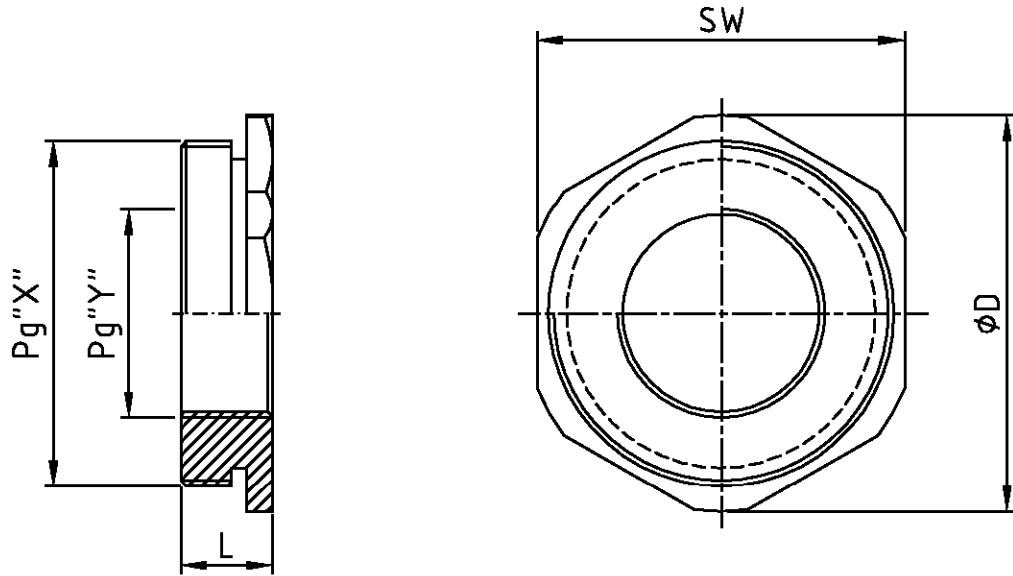


MATED WITH: PASSEND ZU:	LOC A1	DIST -	REVISIONS AENDERUNGEN				DATE	DWN	APVD
			P	LTR	DESCRIPTION BESCHREIBUNG				
PROJEKT NR.:			A2		PN 7-6 Ist OBSOLETE Eg00-1612-03 PN 7-6 will be OBSOLETE	05.05.03	SR	SM	



⚠ OBSOLETE / UNGÜLTIG

AMP PART NO	DESCRIPTION	MATERIAL	SURFACE	PG "X"	PG "Y"	SW	ØD	L
1-7	REDU 36/21.MS.8	Messing/brass	vernickelt nickel plated	36	21	50	54	12.5
0-7	REDU 29/16.MS.8	Messing/brass	vernickelt nickel plated	29	16	41	43	11.5
9-6	REDU 16/11.MS.8	Messing/brass	vernickelt nickel plated	16	11	24	26	9.5
8-6	REDU 13/9.MS.8	Messing/brass	vernickelt nickel plated	13	09	24	26	9.5
7-6 [⚠]	REDU 42/29.MS.8	Messing/brass	vernickelt nickel plated	42	29	60	66	14
6-6	REDU 36/29.MS.8	Messing/brass	vernickelt nickel plated	36	29	50	54	12.5
5-6	REDU 29/21.MS.8	Messing/brass	vernickelt nickel plated	29	21	41	43	11.5
4-6	REDU 21/16.MS.8	Messing/brass	vernickelt nickel plated	21	16	32	35.5	10
3-6	REDU 16/13.MS.8	Messing/brass	vernickelt nickel plated	16	13	24	26	9.5
2-6	REDU 13/11.MS.8	Messing/brass	vernickelt nickel plated	13	11	24	26	9.5
0-6	REDU 21/13.MS.8	Messing/brass	vernickelt nickel plated	21	13	32	35.5	10

THIS DRAWING IS UNPUBLISHED. VERTRAULICHE UNVEROFFENTLICHTE ZEICHNUNG.
 ALL RIGHTS RESERVED. ALLE RECHTE VORBEHALTEN.
 BY AMP INCORPORATED. COPYRIGHT 1997

DIMENSIONS: DIMENSIONEN: mm TOLERANCES UNLESS OTHERWISE SPECIFIED: ALLGEMEINTOLERANZEN ISO 8015 ISO 2768 - mH - E DIN 16901 - 140 ANGLES / WINKEL:	DWN Schneider 20.08.01	MATERIAL -	FINISH OBERFLAECHE/FARBE -
	CHK Schnurpfeil 20.08.01	HTS Elektrotechnik 53819 Neunkirchen, Germany	
APVD -	PRODUCT SPEC PRODUKTSPEZ. -	NAME REDU reducing 6 angular REDU-Reduzierung 6-Kt	
APPLICATION SPEC VERARBEITUNGSSPEZ. -	WEIGHT GEWICHT -	SIZE A4	RESTRICTED TO NUR FUER -
CUSTOMER DRAWING		DRAWING NO ZEICHNUNGS-NR. C=1106062	MASSTAB 2:1 BLATT 1 OF VON 1 A2