

U.I. Lapp GmbH	<h1>DATASHEET</h1>	
	EPIC® KIT H-BE 6 BS TBF-LB M20	75009639 29.11.2013

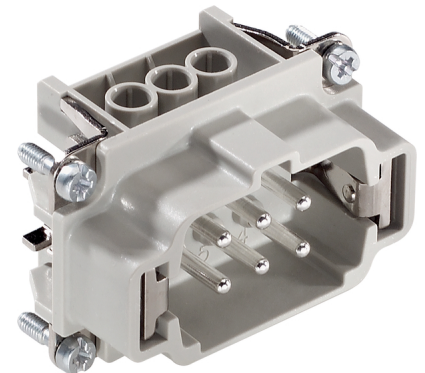
Standard inserts with screw termination, crimp termination and cage clamp termination
Standard inserts with screw, crimp and cage clamp termination
The EPIC® H-BE series is suitable for applications that require a reliable connection when working with high voltages and currents



Robust



Temperature-resistant



Info

Multifunctional insert for versatile applications
Screw, crimp and cage clamp version - freely combinable

Application range

Mechanical engineering
Light & sound technology
Plastics industry

Remark

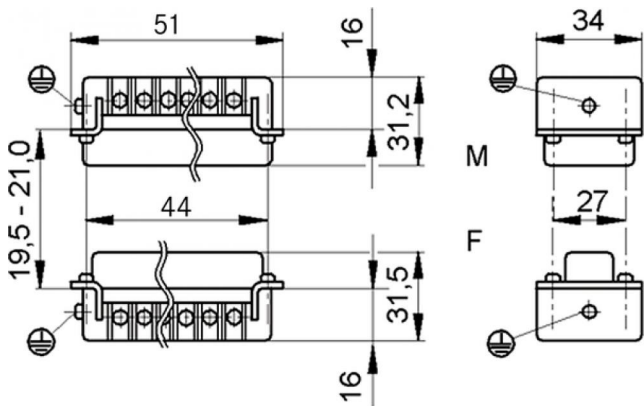
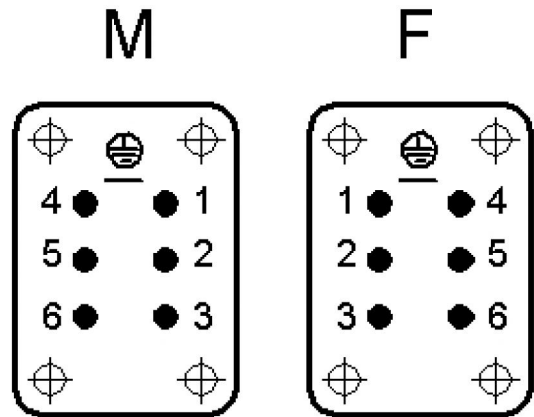
Photographs are not to scale and do not represent detailed images of the respective products.

Technical Data

Article number:	75009639
Rated voltage (V):	IEC: 500 V UL: 600 V CSA: 600 V
Rated impulse voltage:	6 kV
Rated current (A):	IEC: 16 A UL: 16 A CSA: 16 A
Contact resistance:	< 2 mOhm
Contacts:	Copper alloy, hard silver-plated
Number of contacts:	6 + PE
Termination methods:	Screw termination: 0.5 - 2.5 mm ²
Cycle of mechanical operation:	100
Temperature range:	-40 °C to +100 °C, short-term up to +125 °C
VDE-tested:	Certified production control: VDE-REG. no.: B437 UL-tested: UL File Number: E75770
Degree of soiling:	3

Product Management	Document: EPIC® KIT H-BE 6 BS TBF-LB M20	1 / 4
--------------------	--	-------

U.I. Lapp GmbH	<h1>DATASHEET</h1>	
	EPIC® KIT H-BE 6 BS TBF-LB M20	75009639 29.11.2013



Product Management	Document: EPIC® KIT H-BE 6 BS TBF-LB M20	2 / 4
--------------------	--	-------

U.I. Lapp GmbH	<h1>DATASHEET</h1>	
	EPIC® KIT H-BE 6 BS TBF-LB M20	75009639 29.11.2013

Housing design H-B. The industry standard.
The smallest housing out of the H-B series. For inserts with high electrical properties



Automation



Industrial machinery and plant engineering



Mechanical resistance



Robust



Waterproof



Info

Universal, robust metal housings size H-B 6

Application range

Plant engineering
Control engineering
Plastics industry

Product features

Cable coupler hood, low version
Single lever
Straight cable entry
Versions with / without neck


Remark

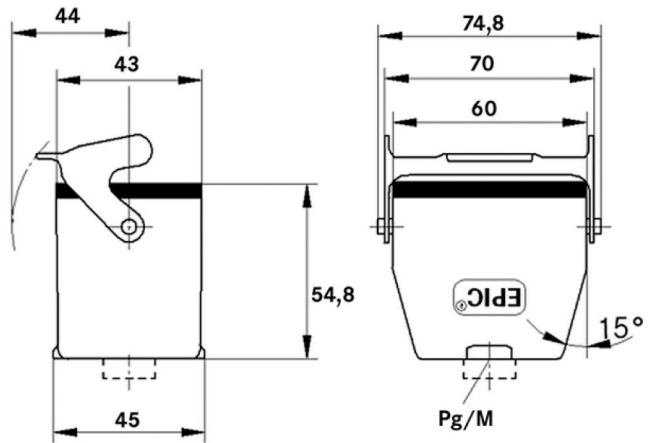
Photographs are not to scale and do not represent detailed images of the respective products.

Technical Data

Article number:	75009639
Material:	Housing: powder-coated aluminium alloy, grey Lever: zinc-plated steel Sealing: NBR
Protection rating:	IP 65 (latched)
Temperature range:	-40 °C to +100 °C, short-term up to +125 °C

Product Management	Document: EPIC® KIT H-BE 6 BS TBF-LB M20	3 / 4
--------------------	--	-------

U.I. Lapp GmbH	<h1>DATASHEET</h1>	 LAPP GROUP
	EPIC® KIT H-BE 6 BS TBF-LB M20	75009639 29.11.2013



Product Management	Document: EPIC® KIT H-BE 6 BS TBF-LB M20	4 / 4
--------------------	--	-------