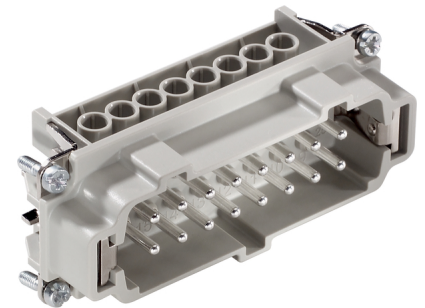


U.I. Lapp GmbH	<h1>DATASHEET</h1>	
	EPIC® KIT H-BE 16 BS SGR M25	75009648 29.11.2013

Standard inserts with screw termination, crimp termination and cage clamp termination
Standard inserts with screw, crimp and cage clamp termination
The EPIC® H-BE series is suitable for applications that require a reliable connection when working with high voltages and currents



Industrial machinery and plant engineering



Robust



Temperature-resistant

Info

Multifunctional insert for versatile applications
Screw, crimp and cage clamp version - freely combinable
Also as EPIC® H-BE 32 available

Application range

Mechanical engineering
Light & sound technology
Plastics industry

Remark

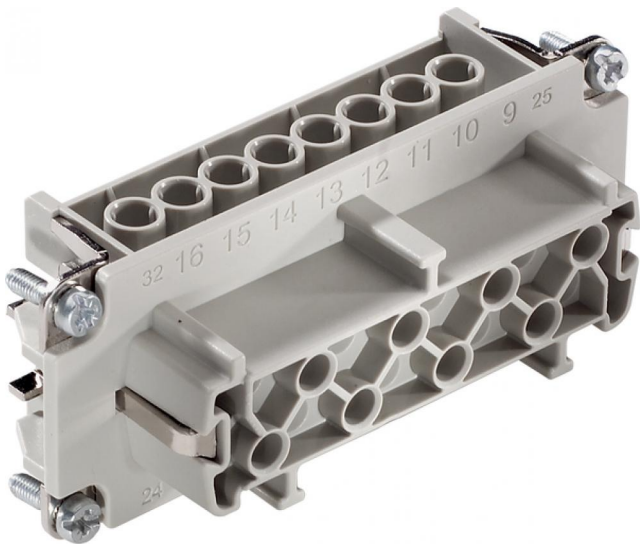
Photographs are not to scale and do not represent detailed images of the respective products.

Technical Data

Article number:	75009648
Rated voltage (V):	IEC: 500 V UL: 600 V CSA: 600 V
Rated impulse voltage:	6 kV
Rated current (A):	IEC: 16 A UL: 16 A CSA: 16 A
Contact resistance:	< 2 mOhm
Contacts:	Copper alloy, hard silver-plated
Number of contacts:	16 + PE
Termination methods:	Screw termination: 0.5 - 2.5 mm ²
Cycle of mechanical operation:	100
Temperature range:	-40 °C to +100 °C, short-term up to +125 °C
VDE-tested:	Certified production control: VDE-REG. no.: B437 UL-tested: UL File Number: E75770
Degree of soiling:	3

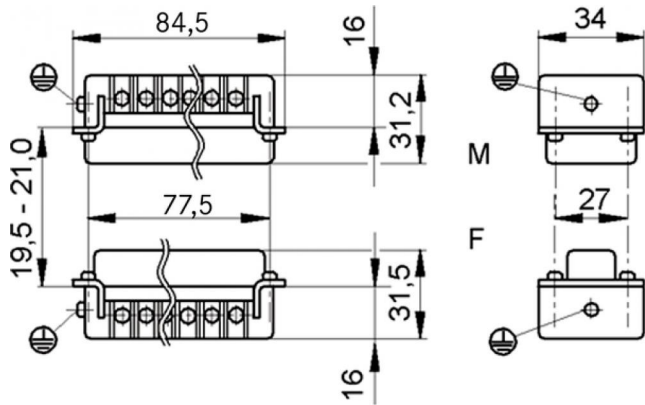
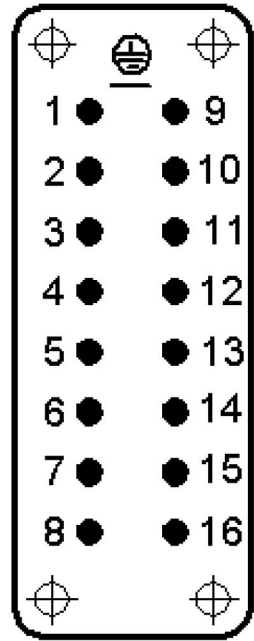
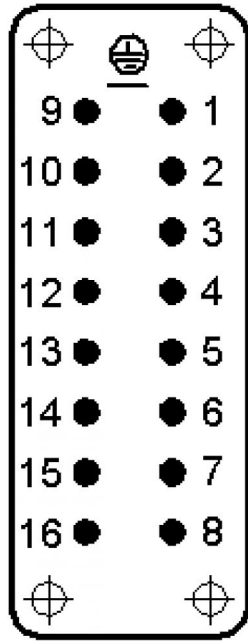
Product Management	Document: EPIC® KIT H-BE 16 BS SGR M25	1 / 4
--------------------	--	-------

U.I. Lapp GmbH	<h1>DATASHEET</h1>	
	EPIC® KIT H-BE 16 BS SGR M25	75009648 29.11.2013



M

F



Product Management	Document: EPIC® KIT H-BE 16 BS SGR M25	2 / 4
--------------------	--	-------

U.I. Lapp GmbH	<h1>DATASHEET</h1>	
	EPIC® KIT H-BE 16 BS SGR M25	75009648 29.11.2013

Housing design H-B. The industry standard.
The housing standard. Wide choice for all applications



Automation



Industrial machinery and plant engineering



Mechanical resistance



Robust



Waterproof



Info

Universal, robust metal housings size H-B 16

Application range

Plant engineering
Light & sound technology
Plastics industry

Product features

Surface-mount base, low version
Dual levers
1 cable entry

Remark

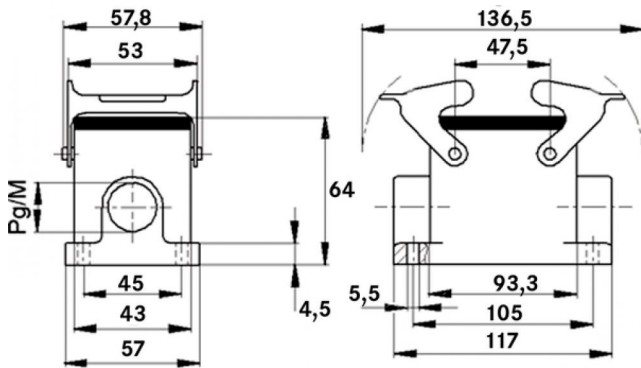
Photographs are not to scale and do not represent detailed images of the respective products.

Technical Data

Article number:	75009648
Material:	Housing: powder-coated aluminium alloy, grey Lever: zinc-plated steel Sealing: NBR
Protection rating:	IP 65 (latched)
Temperature range:	-40 °C to +100 °C, short-term up to +125 °C

Product Management	Document: EPIC® KIT H-BE 16 BS SGR M25	3 / 4
--------------------	--	-------

U.I. Lapp GmbH	<h1>DATASHEET</h1>	 LAPP GROUP
	EPIC® KIT H-BE 16 BS SGR M25	75009648 29.11.2013



Product Management	Document: EPIC® KIT H-BE 16 BS SGR M25	4 / 4
--------------------	--	-------