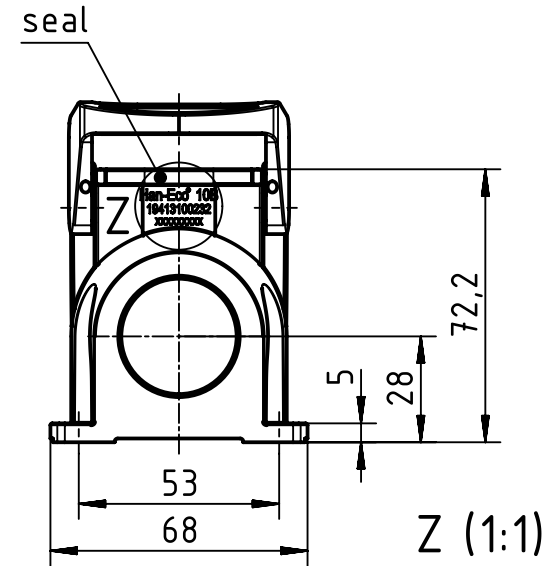
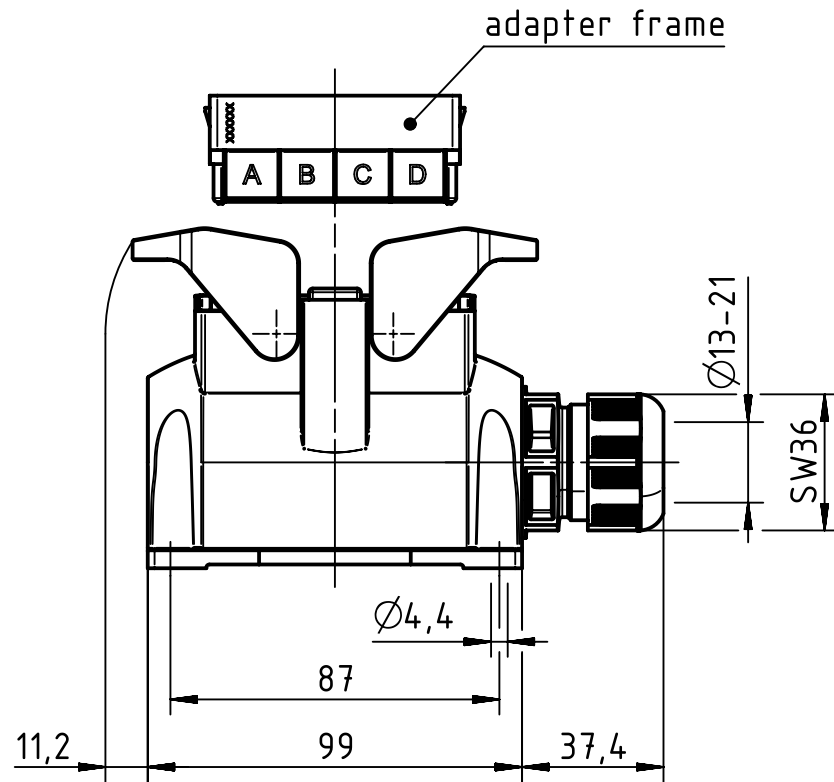
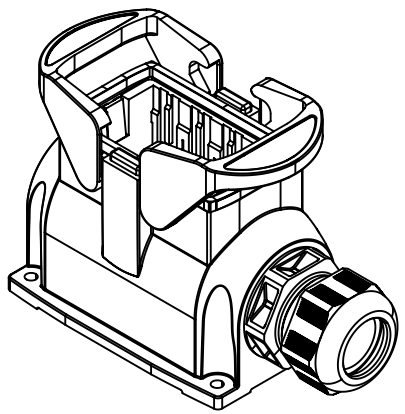


1 2 3 4 5 6

A
B
C
D



Z (1:1)
Han-Eco 10B
19413100232
xxxxxxxx



adapter frame and cable gland are enclosed

	All Dimensions in mm Original Size DIN A4		Scale 1:2	Free size tol.		Ref.
						Sub.
	All rights reserved Department EL PD - DE		Created by DICK	Inspected by HERBRECHTSME	Standardisation TIEMANNA	Date 2016-02-29
	HARTING Electric GmbH & Co. KG D-32339 Espelkamp		Title Han-Eco 10B asg1 M32 outdoor w. gland			State Final Release
			Type TB	Number 19 41 310 0232		Doc-Key / ECM-Nr. 100222555/UGD/008/E 500000096768
					Rev. E	Page 1/1