

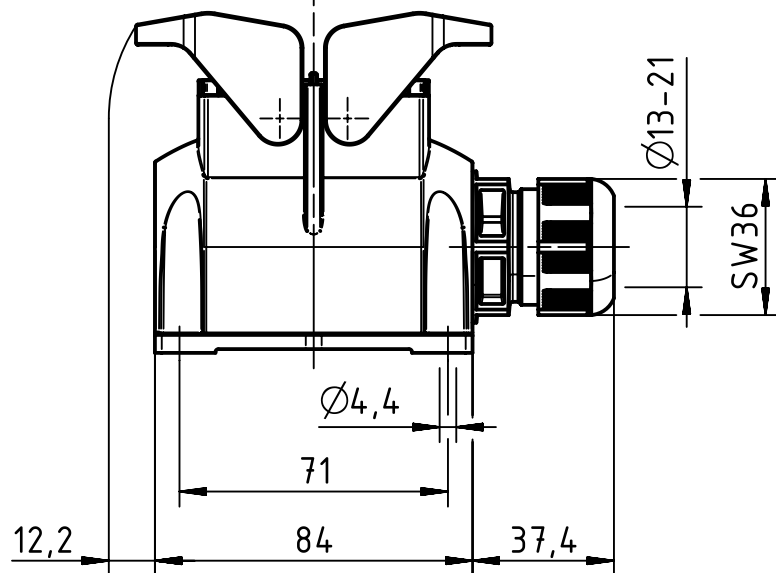
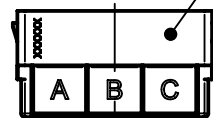
A

B

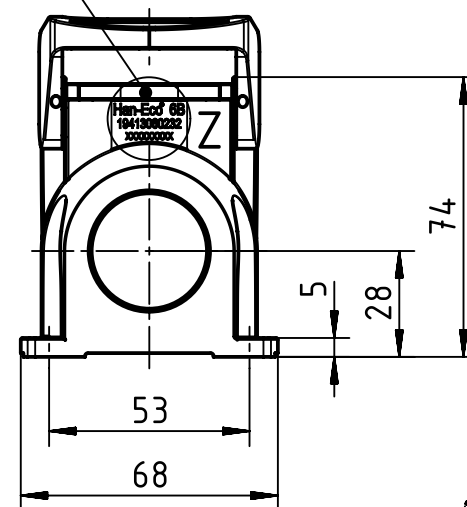
C

D

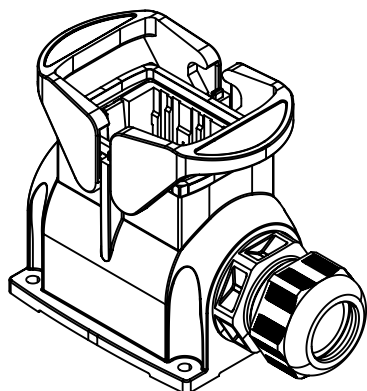
adapter frame



seal



Z (1:1)



adapter frame and cable gland are enclosed

	All Dimensions in mm Original Size DIN A4		Scale 1:2	Free size tol.		Ref.
						Sub.
	All rights reserved Department EL PD - DE		Created by DICK	Inspected by HERBRECHTSME	Standardisation TIEMANNA	Date 2016-02-29
	HARTING Electric GmbH & Co. KG D-32339 Espelkamp		Title Han-Eco 06B asg1 M32 outdoor w. gland			State Final Release
			Type TB	Number 19 41 306 0232		Doc-Key / ECM-Nr. 100222553/UGD/008/E 500000096768
					Rev. E	Page 1/1