

1 2 3 4 5 6

A

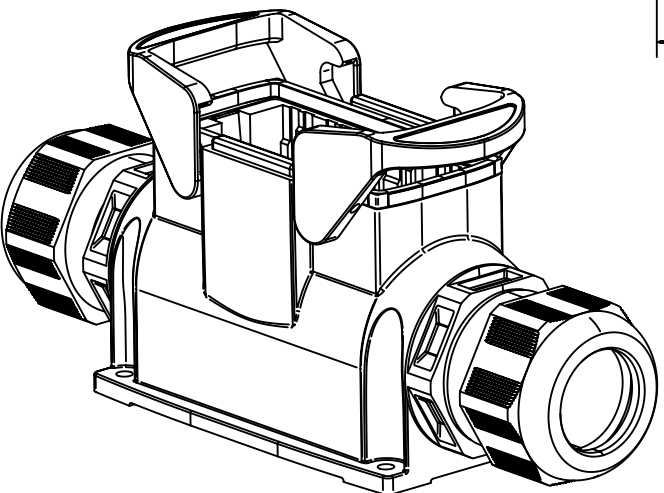
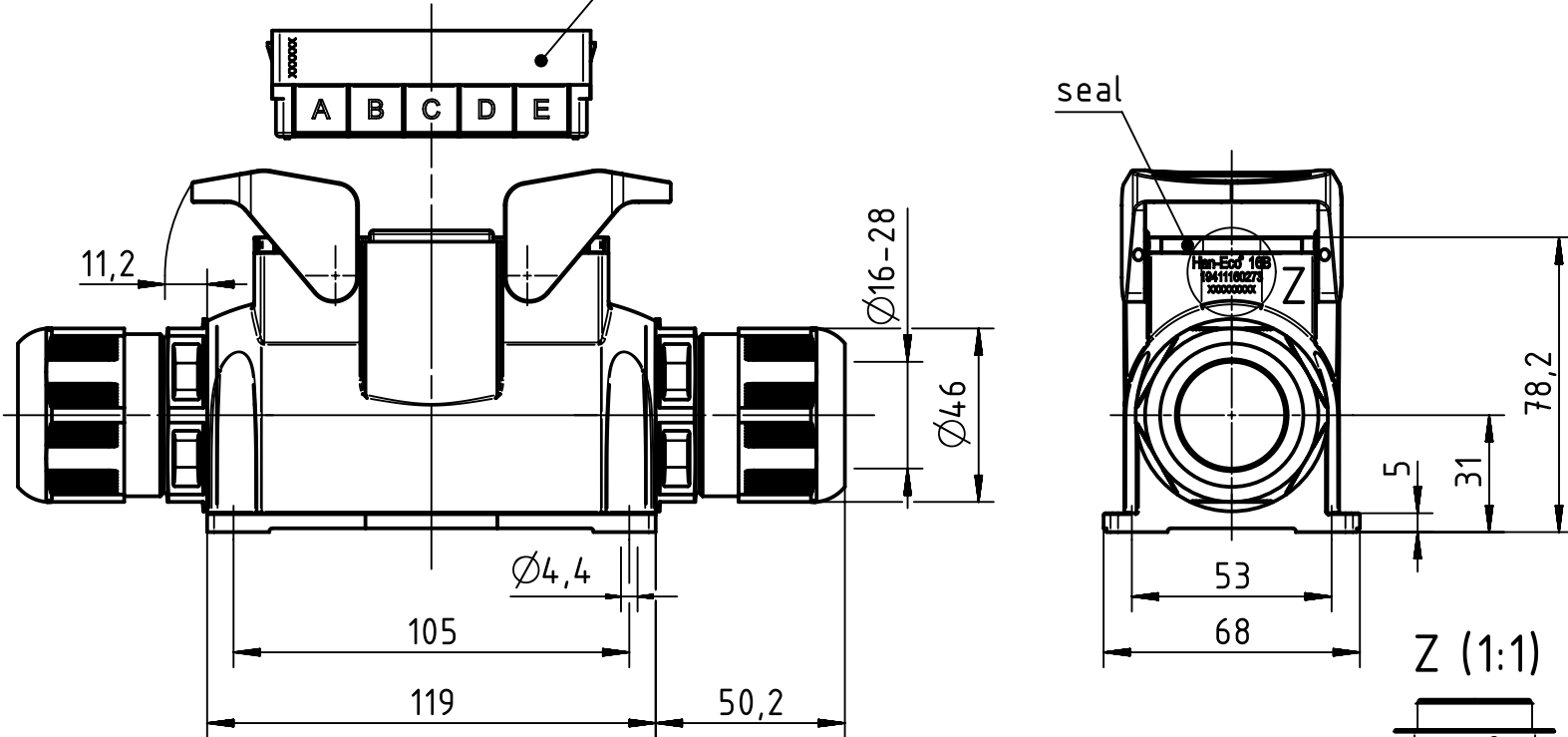
B

C

D

adapter frame

seal



adapter frame and cable glands are enclosed

	All Dimensions in mm Original Size DIN A4		Scale 1:2	Free size tol.		Ref.	
						Sub.	
	All rights reserved		Created by DICK	Inspected by HERBRECHTSME	Standardisation TIEMANNA	Date 2016-02-29	State Final Release
	Department EL PD - DE		Title Han-Eco 16B asg2 M40 with cable gland				Doc-Key / ECM-Nr. 100222560/UGD/004/D 500000096768
HARTING Electric GmbH & Co. KG D-32339 Espelkamp			Type TB	Number 19 41 116 0273		Rev. D	Page 1/1