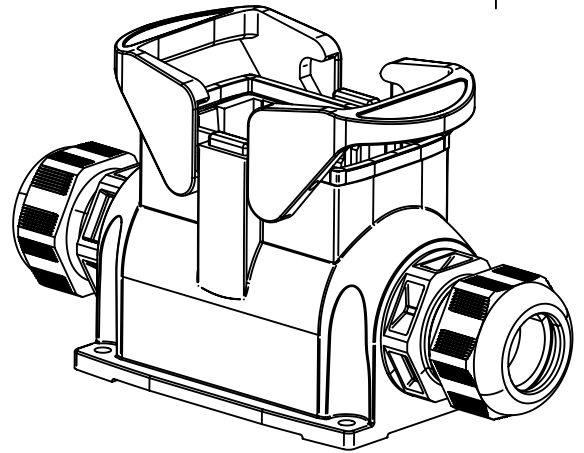


Z (1:1)



adapter frame and cable glands are enclosed

	All rights reserved Department EL PD - DE HARTING Electric GmbH & Co. KG D-32339 Espelkamp	All Dimensions in mm Original Size DIN A4	Scale 1:2	Free size tol.	Ref. Sub.
		Created by DICK	Inspected by HERBRECHTSME	Standardisation TIEMANNA	Date 2016-02-29
Title Han-Eco 10B SM Hsg 2x M32 w/cable gland					Doc-Key / ECM-Nr. 100222558/UGD/004/D 500000096768
Type TB		Number 19 41 110 0272			Rev. D
					Page 1/1