

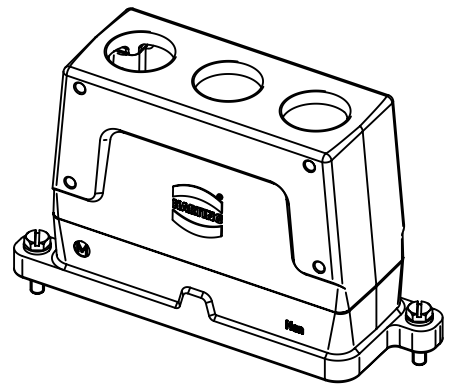
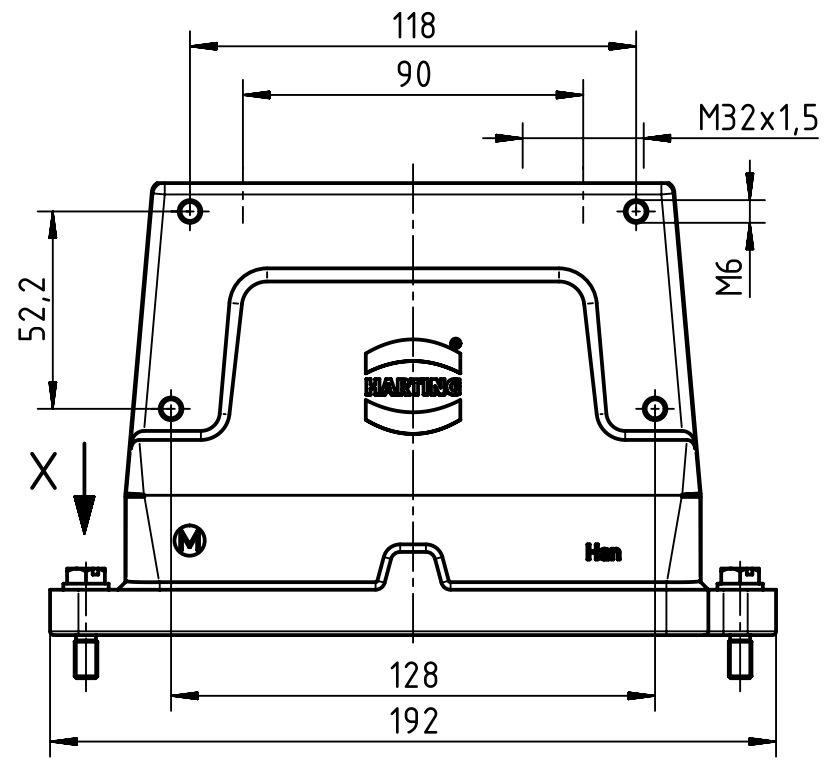
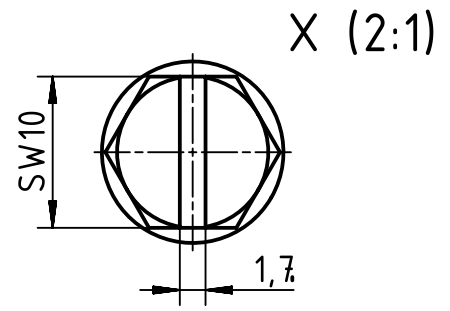
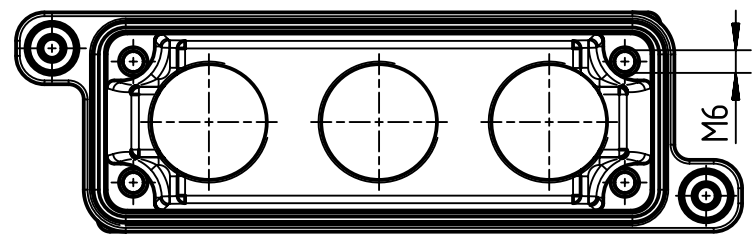
1 2 3 4 5 6

A

B

C

D



	All Dimensions in mm Original Size DIN A4		Scale 1:2	Free size tol.		Ref.	
			Created by RULLKOETTER	Inspected by SCHNIEDER	Standardisation TIEMANNA	Date 2015-06-18	
All rights reserved Department EL PD - DE		Title Han 24HPR-enlarged-HTE-SL-3xM32		State Final Release		Doc-Key / ECM-Nr. 100221323/UGD/004/B 500000090454	
HARTING Electric GmbH & Co. KG D-32339 Espelkamp		Type TB	Number 19 40 024 0468			Rev. B	Page 1/1