

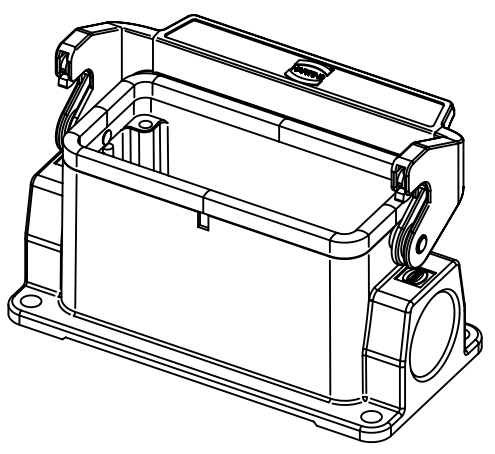
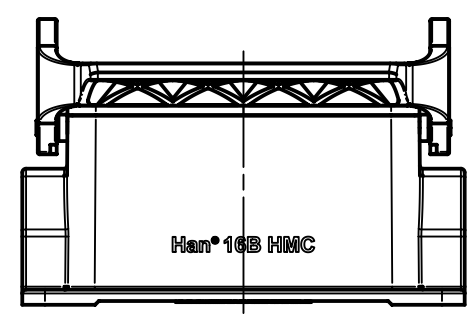
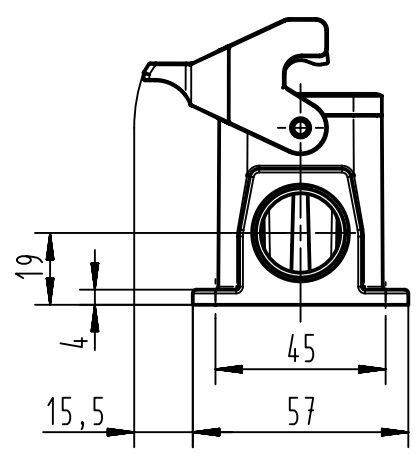
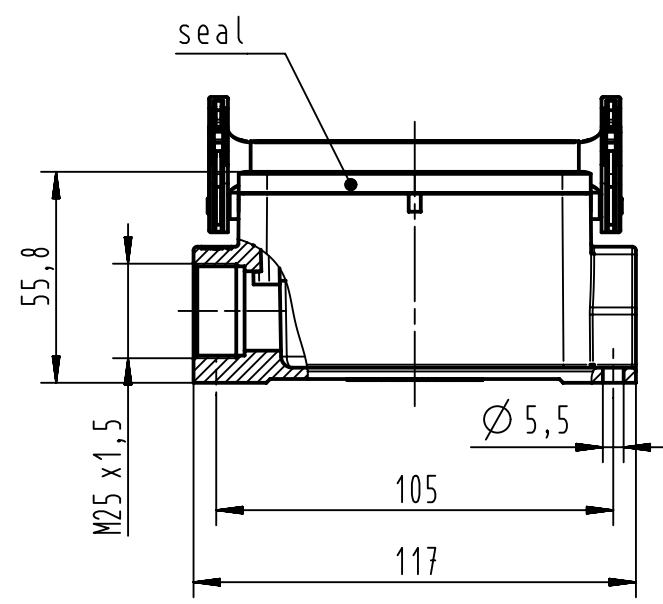
1 2 3 4 5 6

A

B

C

D



	All Dimensions in mm Original Size DIN A4	Scale 1:2		Free size tol.		Ref.	
						Sub.	
	All rights reserved Department EL PD - DE	Created by RULLKOETTER	Inspected by BERGHORN	Standardisation TIEMANNA	Date 2013-03-25	State Final Release	
		Title Han 16B-HMC-asg1-LB-M25					Doc-Key / ECM-Nr. 100534323/UGD/001/A
HARTING Electric GmbH & Co. KG D-32339 Espelkamp		Type TB	Number 19 30 216 1251			Rev. A	Page 1/1