

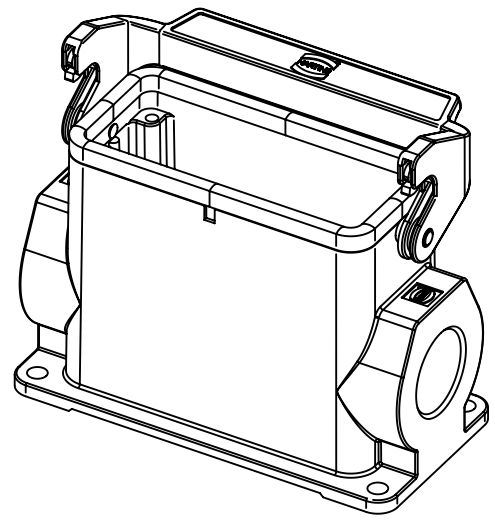
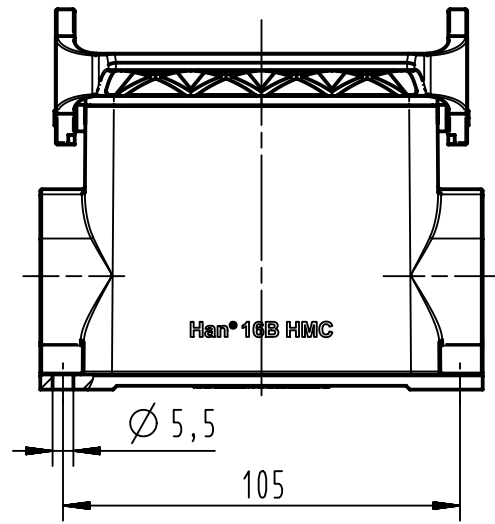
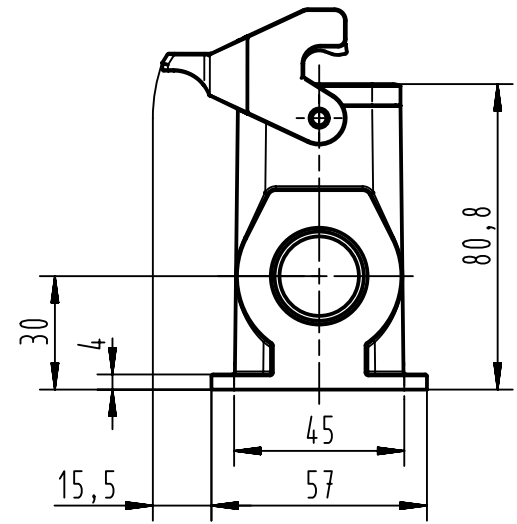
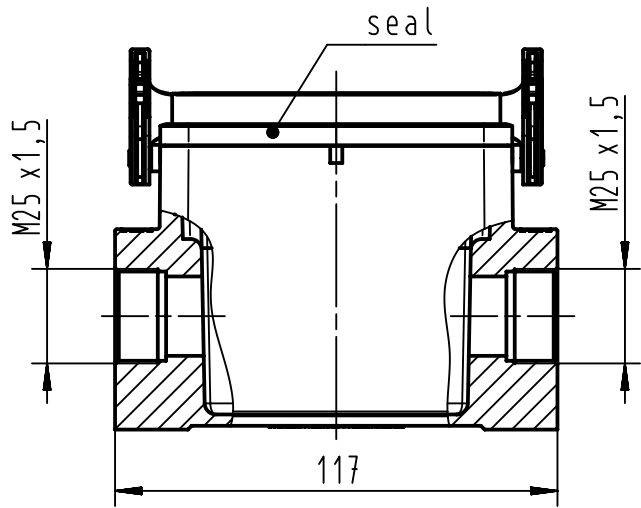
1 2 3 4 5 6


A

B

C

D



	All Dimensions in mm Original Size DIN A4		Scale 1:2	Free size tol.		Ref.	
	All rights reserved		Created by RULLKOETTER	Inspected by BERGHORN	Standardisation TIEMANNA	Date 2013-03-25	State Final Release
Department EL PD - DE		Title Han 16B-HMC-asg2-LB-M25				Doc-Key / ECM-Nr. 100534149/UGD/002/A	
HARTING Electric GmbH & Co. KG D-32339 Espelkamp		Type TB	Number 19 30 216 0291			Rev. A	Page 1/1