

5

4

3

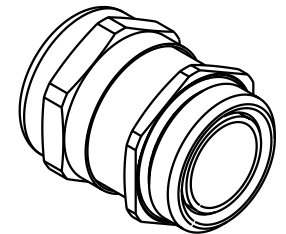
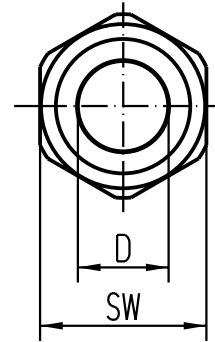
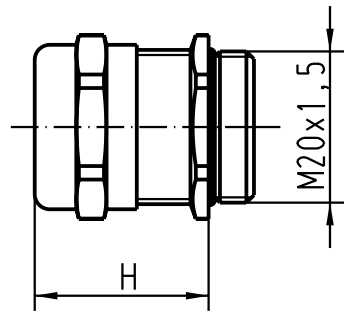
2

1



D

C

B



A

| | | | | | | | | | |
|---|--------|--------|----|-------------------|---------|--------------------------------|--|---------------------------|---|
|  All Dimensions in mm Original Size DIN A 4 | | | | Techn. Character. | | | Nicht tolerierte Masse/ Free size tolerances | | |
| | | | | | Dat. | Name | Maststab/ Scale | | Kabelverschraubung Metall <i>cable gland metal</i> |
| 19 00 000 5080 | 5 | 9 | 22 | 23 | Detail. | 26.10.01 | DY | 1:1 | |
| 19 00 000 5082 | 6 | 12 | 22 | 23 | Insp. | | KR | | |
| 19 00 000 5084 | 10 | 14 | 24 | 24 | Stand. | | | | |
| Bestell-Nr./Part No. | D min. | D max. | SW | H | 30112 | HARTING Electric GmbH & Co. KG | | TB 19 00 000 508. Sub. | |
| | | | | | Mod. | Dat. | Name | |  D-32339 Espelkamp |

Blatt/ page