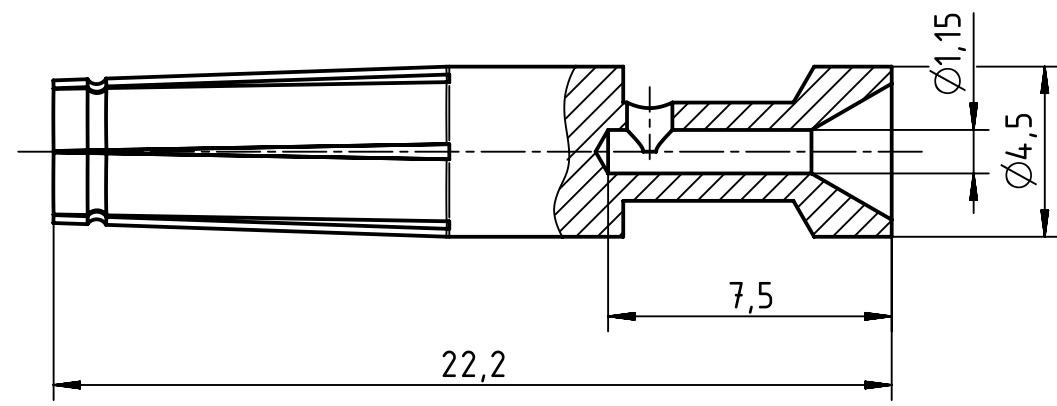


A

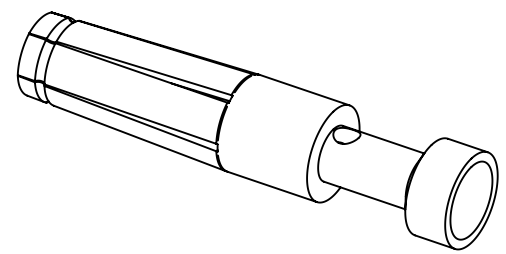
B


C

D



wire gauge: 0.5mm² / AWG 20
 stripping length: 7.5mm
 coating: silver plated



	All Dimensions in mm Original Size DIN A4	Scale 5:1	Free size tol.			Ref.
	All rights reserved Department EL PD - DE	Created by HOLLERT	Inspected by SPILKERN	Standardisation TIEMANNA	Date 2013-11-05	State Final Release
HARTING Electric GmbH & Co. KG D-32339 Espelkamp		Title Han High Temp E female contact			Doc-Key / ECM-Nr. 100527940/UGD/002/A 500000067351	
		Type TB	Number 09 33 800 6220			Rev. A
					Page 1/1	