

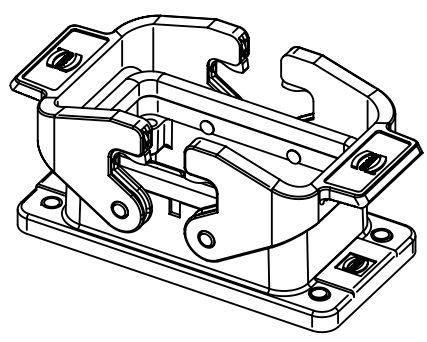
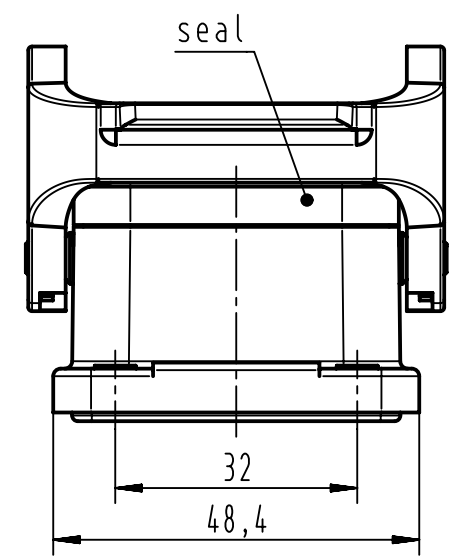
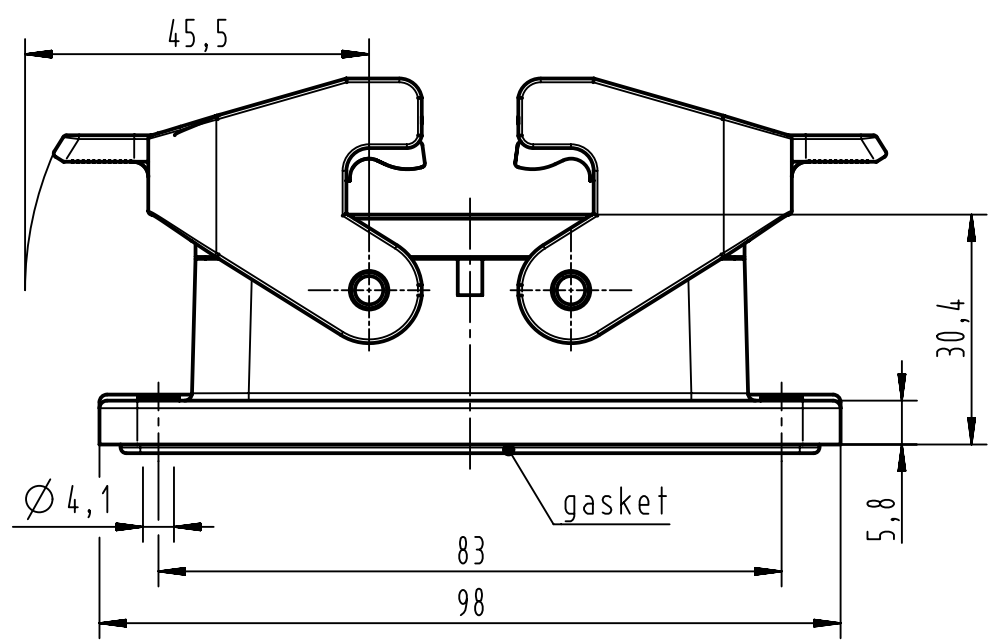
1 2 3 4 5 6

A

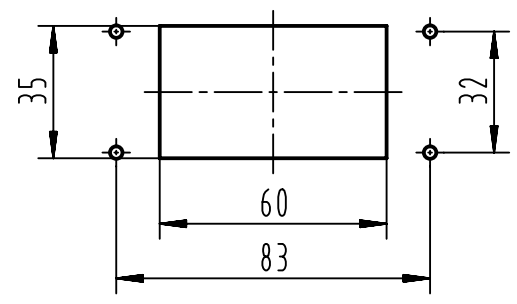
B

C

D



panel cut out (1:2)



	All Dimensions in mm Original Size DIN A4	Scale 1:1	Free size tol.		Ref.	
	All rights reserved Department EL PD - DE	Created by GRUBES	Inspected by HORSTMANNJ	Standardisation SCHMIDTM	Date 2013-03-04	State Final Release
HARTING Electric GmbH & Co. KG D-32339 Espelkamp		Title Han 10B-AGG-QB IP67			Doc-Key / ECM-Nr. 100519389/UGD/001/A	
		Type TB	Number 09 30 010 1301			Rev. A
					Page 1/1	