

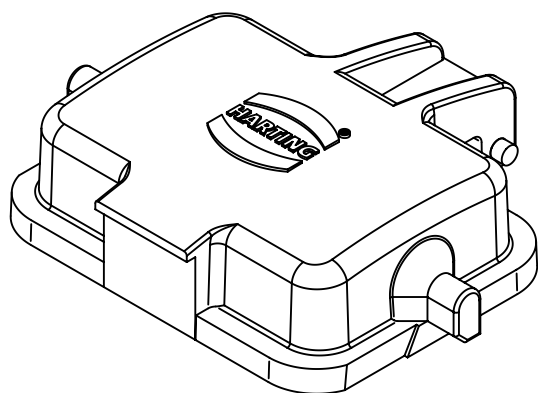
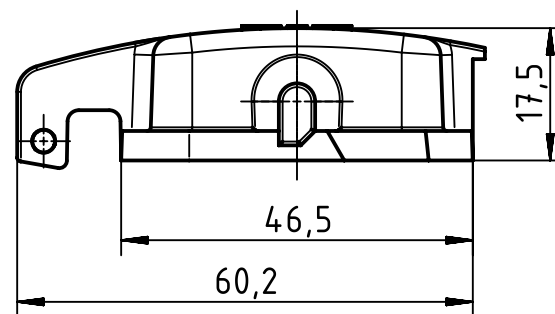
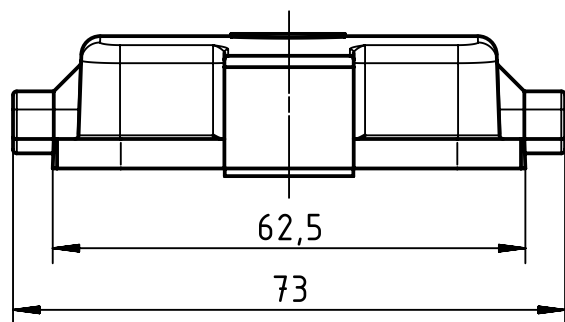
1 2 3 4 5 6

A

B

C

D



| | | | | | | | | |
|---|--|--|---|-----------------------------|-----------------------------|--------------------|--|-------------|
|  | All Dimensions in mm Original Size DIN A4 | | Scale 1:1 | Free size tol. | | Ref. | | |
| | All rights reserved Department EL PD - DE | | Created by FINKEV | Inspected by SUNDERMEIER | Standardisation TIEMANNA | Date 2015-07-01 | State Final Release | |
| HARTING Electric GmbH & Co. KG D-32339 Espelkamp | | | Title Han 6 B PLASTIC PROTECT COVER | | | | Doc-Key / ECM-Nr. 100087809/UGD/003/C 500000090992 | |
| | | | Type TB | Number 09 30 006 5410 | | | Rev. C | Page 1/1 |