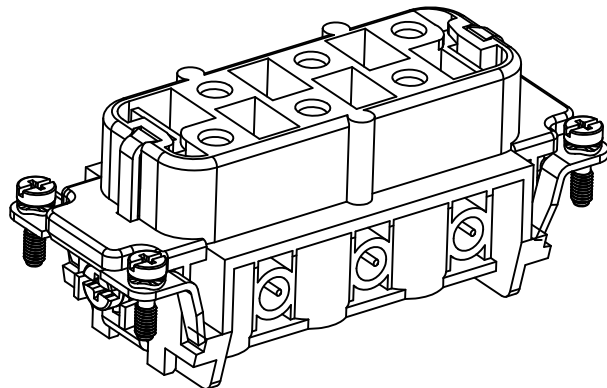
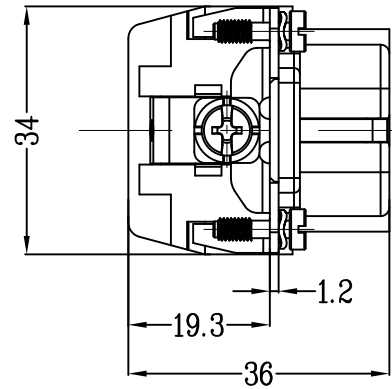
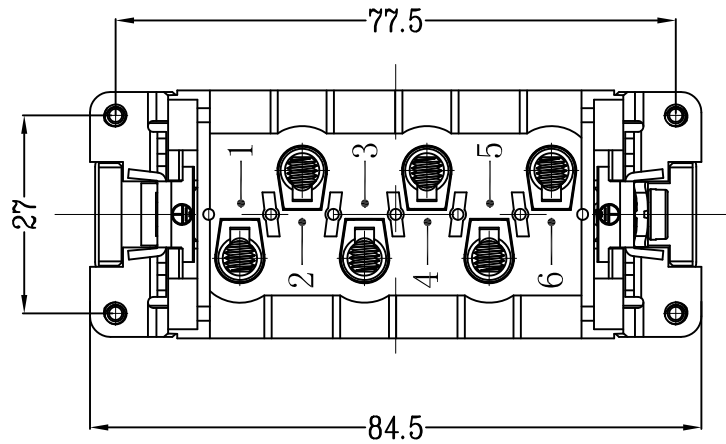


REVISION RECORD				
REV	ECN	DESCRIPTION	DRFT	DATE



Technical characteristics:


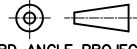

Specifications  
 DIN EN 60 664-1  
 DIN EN 61 984

Inserts

- 01. Number of contacts :6+PE
- 02. Rated Current :35A
- 03. Rated Voltage :500V
- 04. Pollution degree :3
- 05. Rated impulse voltage :6kv<sub>10</sub>
- 06. Insulation resistance :≥10<sup>10</sup>Ω
- 07. Material:Polycarbonate
- 08. Rated voltage acc. to UL/CSA:600V
- 09. Limiting temperatures : -40℃~+125℃
- 10. Flammability acc. to UL94:V0
- 11. Mechanical working life (mating cycles) :≥500

Contacts

- 01. Material:Copper alloy
- 02. Surface:hard-silver plated
- 03. Contact resistance :≤1mΩ
- 04. Terminal :Screw terminal
- 05. Wire gauge :6.0mm<sup>2</sup> (AWG 10)
- 06. Tightening torque :1.2Nm
- 07. Stripping length :7.5mm

DETACHED LISTS	PART NO.:	 宁波高松电子有限公司 NINGBO DEGSON ELECTRICAL CO., LTD		
	APPD:	NAME: DSB-006-F		
	CHKD:	DRFT: Mr.Yang 2016.09.18		
	 THIRD ANGLE PROJECTION	DRAWING NO.: DSB-006-F-E01	REV	D0-1
	 MM (INCH)	DO NOT SCALE DRAWING	SCALE	