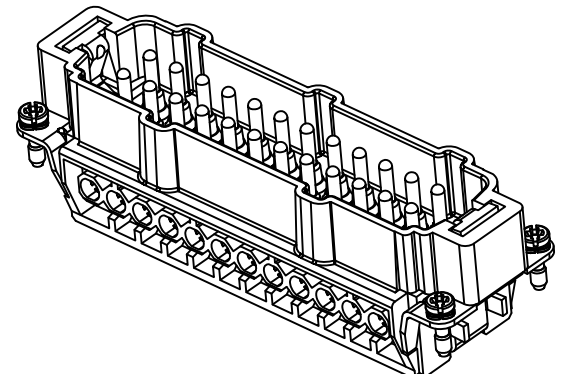
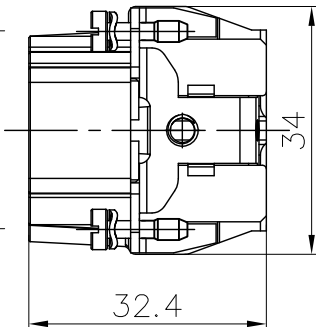
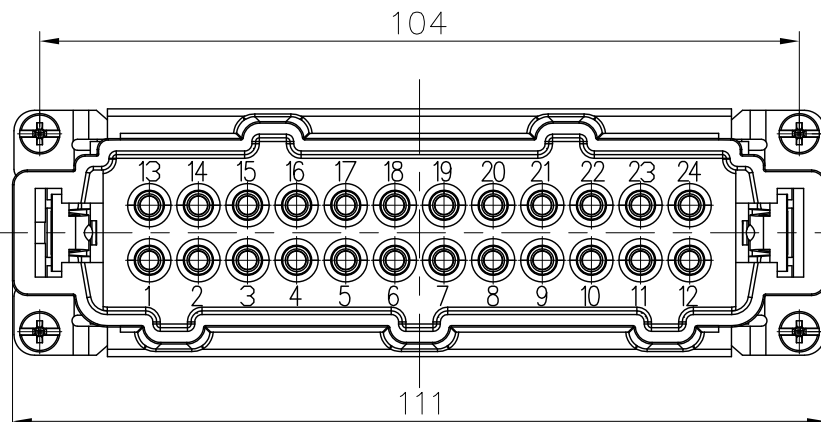
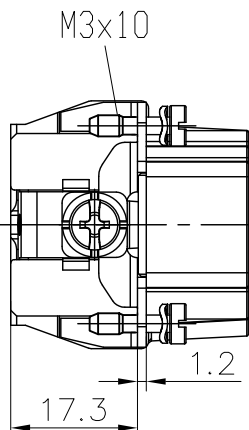


REVISION RECORD				
REV	ECN	DESCRIPTION	DRFT	DATE



Technical characteristics:

Specifications  
 DIN EN 60 664-1  
 DIN EN 61 984

- Inserts
01. Number of contacts :24+PE
  02. Rated Current :16A
  03. Rated Voltage :500V
  04. Pollution degree :3
  05. Rated impulse voltage :6kv
  06. Insulation resistance : $\geq 10^{10} \Omega$
  07. Material:Polycarbonate
  08. Rated voltage acc. to UL/CSA:600V
  09. Limiting temperatures : $-40^{\circ}\text{C} \sim +125^{\circ}\text{C}$
  10. Flammability acc. to UL94:V0
  11. Mechanical working life (mating cycles) : $\geq 500$

- Contacts
01. Material:Copper alloy
  02. Surface:hard-silver plated
  03. Contact resistance : $\leq 1\text{m}\Omega$
  04. Terminal :Screw terminal
  05. Wire gauge :1.0-2.5mm<sup>2</sup> (AWG 18-14)
  06. Tightening torque :0.5Nm
  07. Stripping length :7.5mm
  08. Rohs Compliance

DETACHED LISTS	PART NO.:	/		
	APPD:	NAME: 宁波高松电子有限公司 NINGBO DEGSON ELECTRICAL CO., LTD		
	CHKD:	DE-024-M		
	DRFT: Mr.Yang 2016.08.08	TITLE: CUSTOMER DRAWING	REV	DO
	DRAWING NO.: /		SHEET	1/1
THIRD ANGLE PROJECTION		MM (INCH)	DO NOT SCALE DRAWING	SCALE 1:1