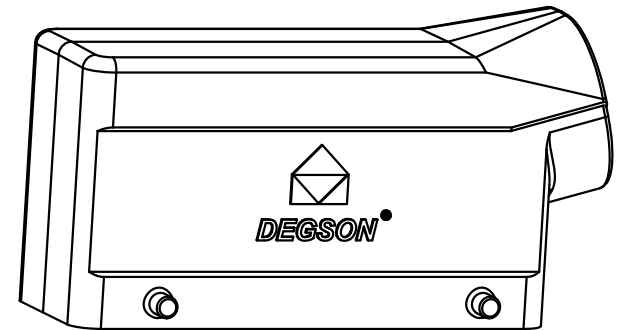
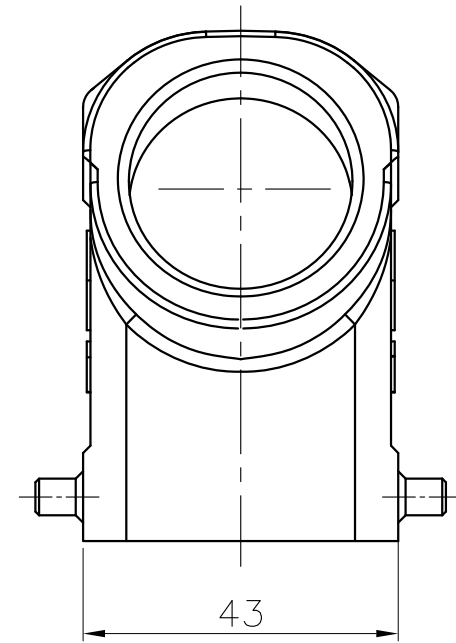
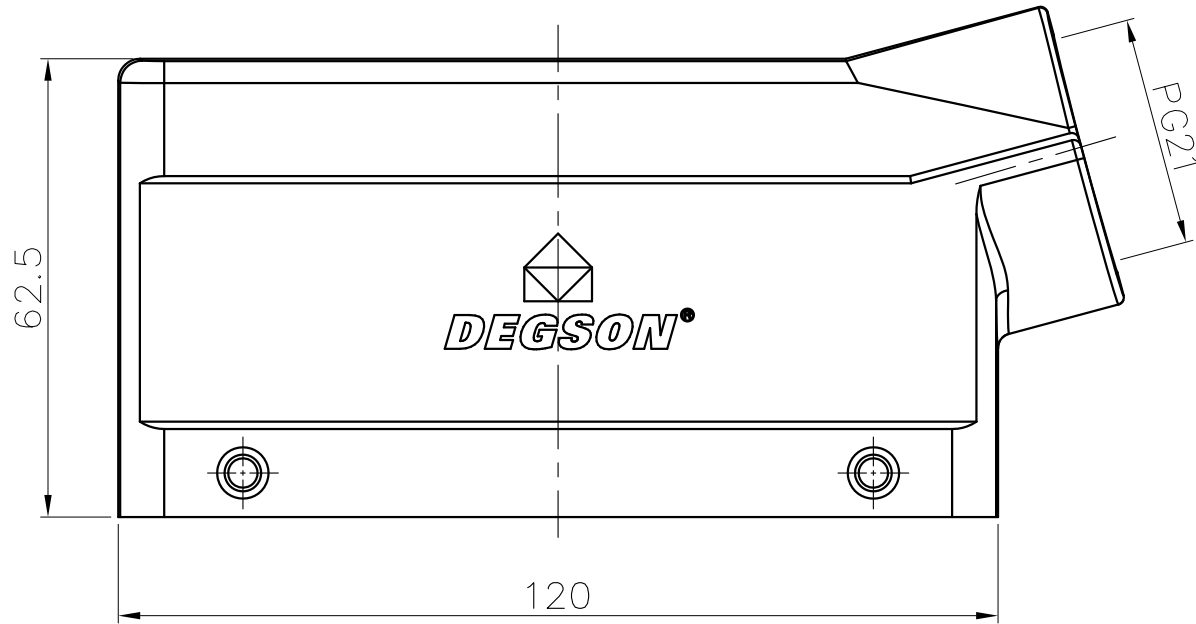


REVISION RECORD				
REV	ECN	DESCRIPTION	DRFT	DATE



Hoods Feature

1. Material: Aluminium die-cast
2. Color: grey(RAL 7037)
3. Limiting temperatures: -40°C ~ +125°C
4. Flammability acc to UL94: V0
5. Degree of protection acc.to EN60529 for coupled connector: IP65
6. Rohs Compliance

DETACHED LISTS	PART NO.:	/			宁波高松电子有限公司 NINGBO DEGSON ELECTRICAL CO., LTD	
	APPD:	NAME: D24B-SE-4g-PG21				
	CHKD:	DRFT: WYM 2016/07/29				
	DRFT:	TITLE: CUSTOMER DRAWING		REV	D0-1	
THIRD ANGLE PROJECTION		DRAWING NO.: D24B-SE-4g-PG21-E01		SHEET	1/1	
		MM (INCH)		DO NOT SCALE DRAWING	SCALE	