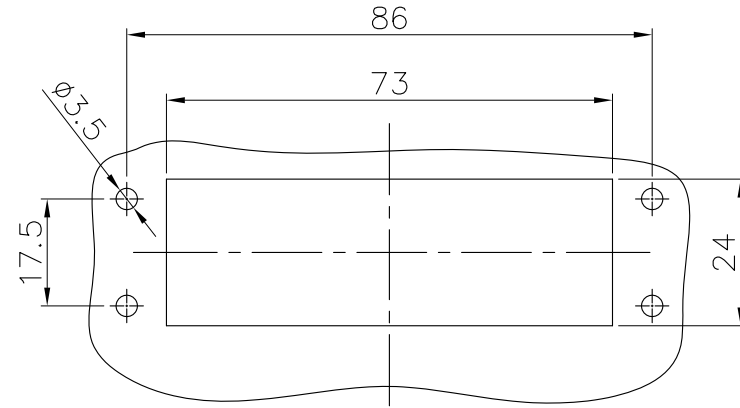
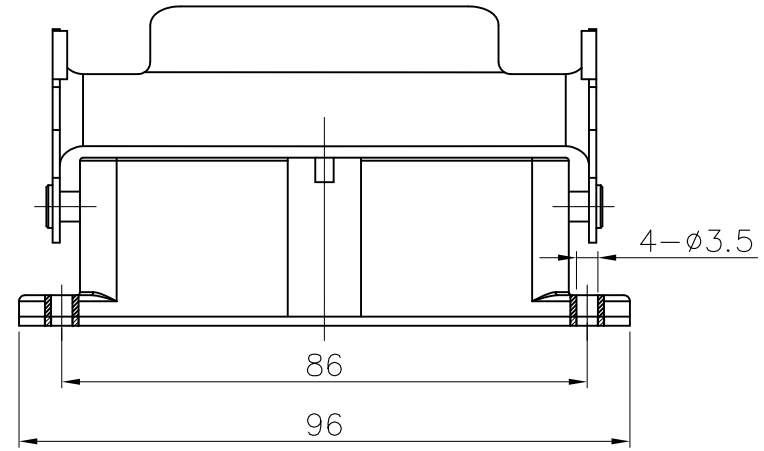
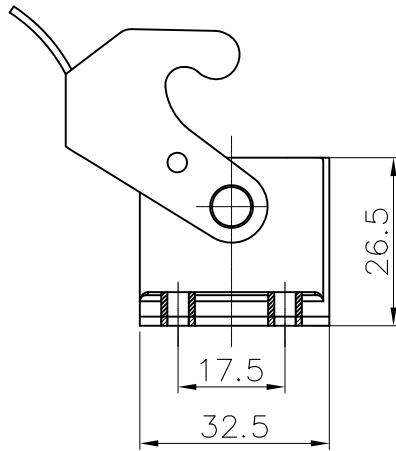
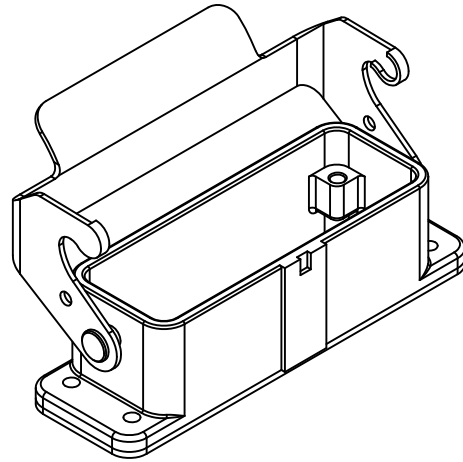




| REVISION RECORD |     |             |      |      |
|-----------------|-----|-------------|------|------|
| REV             | ECN | DESCRIPTION | DRFT | DATE |
|                 |     |             |      |      |



Panel cut out

Housings Feature

1. Material: Aluminium die-cast
2. Color: grey(RAL 7037)
3. Lever type: Lever
4. Material: Metal zinc-plated
5. Limiting temperatures: -40°C ~ +125°C
6. Hoods/housings sealing: NBR
7. Flammability acc to UL94: V0
8. Degree of protection acc.to EN60529 for coupled connector: IP65
9. Rohs Compliance

|  |                      |                         |           |                      |   |      |
|--|----------------------|-------------------------|-----------|----------------------|---|------|
| DETACHED LISTS   | PART NO.:            | /                       |           |                      |  宁波高松电子有限公司<br>NINGBO DEGSON ELECTRICAL CO., LTD |      |
|  | APPD:                | NAME:                   |           |                      |   |      |
|  | CHKD:                | D16A-BK-1L              |           |                      | REV   | D0-1 |
|  | DRFT: WYM 2016/07/29 | TITLE: CUSTOMER DRAWING |           | SHEET                | 1/1   |      |
|  THIRD ANGLE PROJECTION |                      | DRAWING NO.:            | MM (INCH) | DO NOT SCALE DRAWING | SCALE   |      |