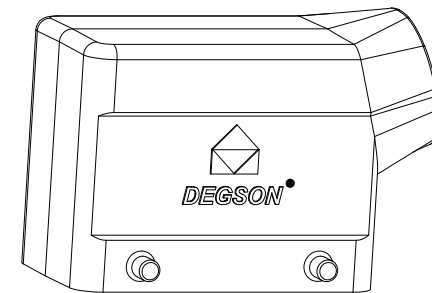
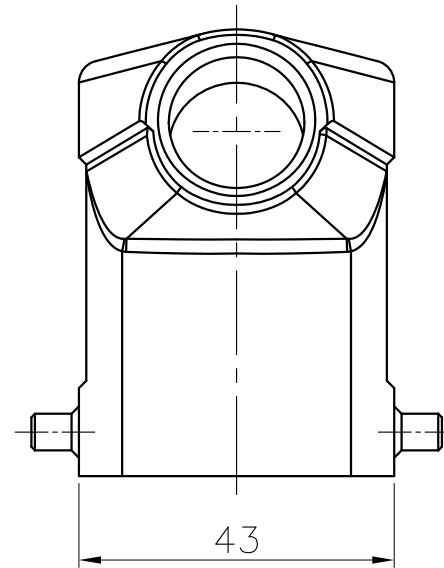
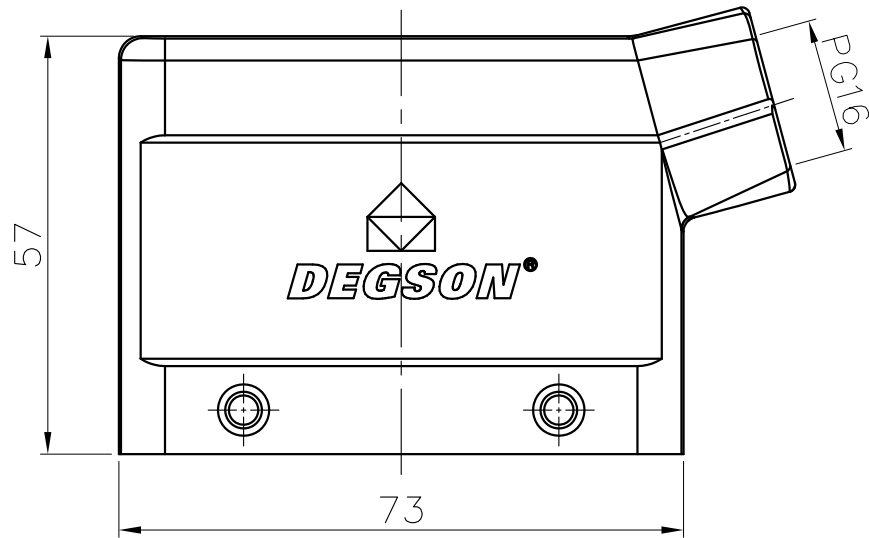

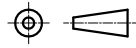


REVISION RECORD				
REV	ECN	DESCRIPTION	DRFT	DATE



Hoods Feature

1. Material: Aluminium die-cast
2. Color: grey(RAL 7037)
3. Limiting temperatures: -40°C ~ +125°C
4. Flammability acc to UL94: V0
5. Degree of protection acc.to EN60529 for coupled connector: IP65
6. Rohs Compliance

DETACHED LISTS	PART NO.:	/			 宁波高松电子有限公司 NINGBO DEGSON ELECTRICAL CO., LTD		
	APPD:	NAME:				D10B-SE-4g-PG16	
	CHKD:	DRFT: WYM 2016/07/29			TITLE: CUSTOMER DRAWING	REV	D0-1
	 THIRD ANGLE PROJECTION	DRAWING NO.: D10B-SE-4g-PG16-E01		SHEET	1/1		
MM (INCH)		DO NOT SCALE DRAWING		SCALE			

H  
G  
F  
E  
D  
C  
B  
A

H  
G  
F  
E  
D  
C  
B  
A