

heavy|mate® - C146 M Pin module (for stamped 1,6 mm contacts)

Part No. C146 D10 001 E8

Series Heavy duty connectors heavy|mate® - C 146

Subseries Heavy duty connector heavy|mate® - C146 M



View represents all available contact positions.

COMMON CHARACTERISTICS		
No. of contacts		10
ELECTRICAL CHARACTERISTICS		
Rated voltage	DIN EN 60664-1 / IEC 60664-1	400V
Rated impulse voltage	DIN EN 60664-1 / IEC 60664-1	6000V
Rated current at 40°C		10 A
Voltage proof	DIN EN 60512-2, Test 4a / IEC 60512-2, Test 4a	2.110 V
Installation category	DIN EN 60664-1 / IEC 60664-1	III
Insulation group	DIN EN 60664-1 / IEC 60664-1	II
Insulation resistance	DIN EN 60512-2, Test 3a / IEC 60512-2, Test 3a	≥ 10 <sup>12</sup>
Contact resistance	DIN EN 60512-2, Test 2a / IEC 60512-2 Test 2a	≤ 5 m
Clearance		> 4,3 mm
Creepage		> 4,3 mm
Current carrying capacity	DIN EN 60512-3, Test 5b / IEC 60512-2 Test 5b	see derating curves
Pollution degree	DIN EN 60664-1 / IEC 60664-1	3
CLIMATICAL CHARACTERISTICS		
Climatic category	DIN EN 60068-1 / IEC 60068-1	40 / 125 / 21
Upper temperature		+ 125 °C / 1000 h
Lower temperatur		- 40 °C / 16 h
MECHANICAL CHARACTERISTICS		
IP degree of protection	DIN EN 60529 / IEC 60529	IP20 mated
Insertion and withdrawal force	DIN EN 60512-13-2, Test 13b / IEC 60512-13-2, Test 13b	10-15 N
Mechanical lifetime		≥ 500 mating cycles
MATERIALS		
Contacts		Cu-alloy
Insert		PA 6.6
Colour		black
Contact plating		silver plated
Male contact		CuZn
FURTHER CHARACTERISTICS		
Termination		crimp
Wire gauge		0,14 - 2,5 mm <sup>2</sup>
Flammability	UL 94	V-0

heavy|mate® - C146 M Pin module (for stamped 1,6 mm contacts)

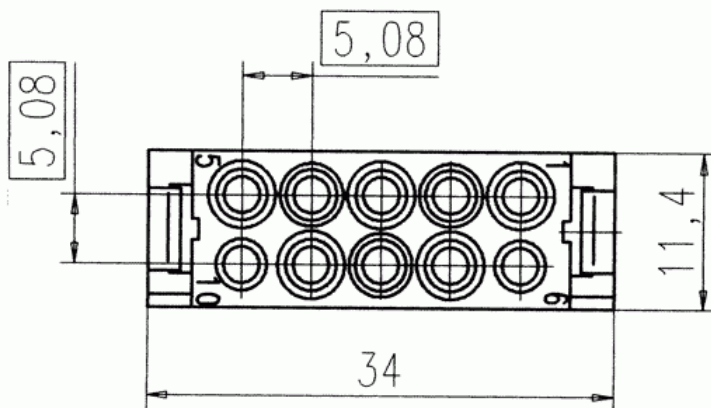
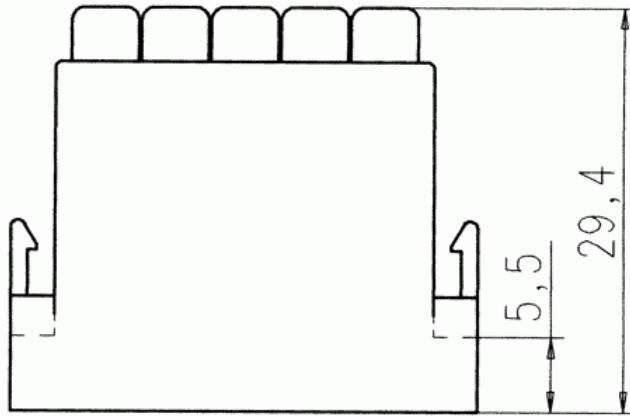
Part No. C146 D10 001 E8

Series Heavy duty connectors heavy|mate® - C 146

Subseries Heavy duty connector heavy|mate® - C146 M



View represents all available contact positions.



Drawing Dimensions in mm (Inch)

18.04.2007