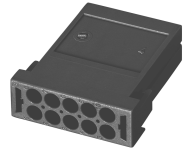


heavy|mate® - C146 M Socket module (for turned 1,6 mm contacts)

Part No. C146 B10 001 E8



Series Heavy duty connectors heavy|mate® - C 146

View represents all available contact positions.

Subseries Heavy duty connector heavy|mate® - C146 M

COMMON CHARACTERISTICS

No. of contacts		10
-----------------	--	----

ELECTRICAL CHARACTERISTICS

Rated voltage	DIN EN 60664-1 / IEC 60664-1	400V
Rated impulse voltage	DIN EN 60664-1 / IEC 60664-1	6000V
Rated current at 40°C		10 A
Voltage proof	DIN EN 60512-2, Test 4a / IEC 60512-2, Test 4a	2.200 V
Installation category	DIN EN 60664-1 / IEC 60664-1	III
Insulation group	DIN EN 60664-1 / IEC 60664-1	II
Insulation resistance	DIN EN 60512-2, Test 3a / IEC 60512-2, Test 3a	$\geq 10^{12}$
Contact resistance	DIN EN 60512-2, Test 2a / IEC 60512-2 Test 2a	≤ 5 m
Clearance		> 4,3 mm
Creepage		> 4,3 mm
Current carrying capacity	DIN EN 60512-3, Test 5b / IEC 60512-2 Test 5b	see derating curves
Pollution degree	DIN EN 60664-1 / IEC 60664-1	3

CLIMATICAL CHARACTERISTICS

Climatic category	DIN EN 60068-1 / IEC 60068-1	40 / 125 / 21
Upper temperature		+ 100 °C / 1000 h
Lower temperatur		- 40 °C / 16 h

MECHANICAL CHARACTERISTICS

IP degree of protection	DIN EN 60529 / IEC 60529	IP20 mated
Insertion and withdrawal force	DIN EN 60512-13-2, Test 13b / IEC 60512-13-2, Test 13b	20-25 N
Mechanical lifetime		≥ 500 mating cycles

MATERIALS

Contacts		CuZn
Insert		PA 6.6
Colour		black
Contact plating		silver plated
Male contact		CuZn

FURTHER CHARACTERISTICS

Termination		crimp
Wire gauge		0,14 - 2,5 mm ²
Flammability	UL 94	V-0

heavy|mate® - C146 M Socket module (for turned 1,6 mm contactcs)

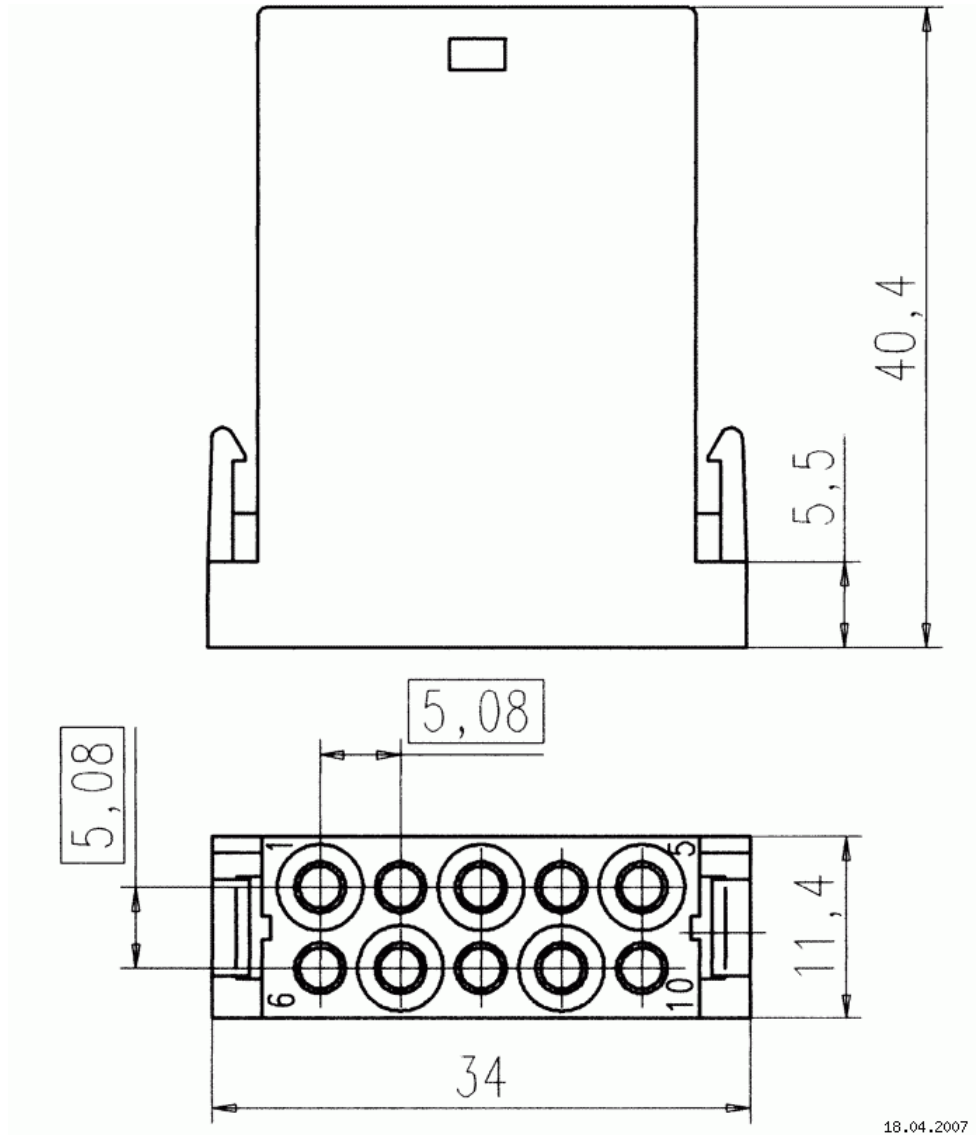
Part No. C146 B10 001 E8

Series Heavy duty connectors heavy|mate® - C 146

Subseries Heavy duty connector heavy|mate® - C146 M



View represents all available contact positions.



Drawing Dimensions in mm (Inch)

18.04.2007