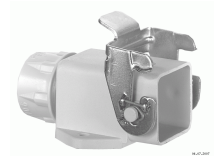


heavy|mate® - C146 Housings Housing, single side entry, with stud, with gland bushing

Part No. C146 10N003 500 4

Series Heavy duty connectors heavy|mate® - C 146

Subseries Heavy duty connector heavy|mate® - C146 Housings



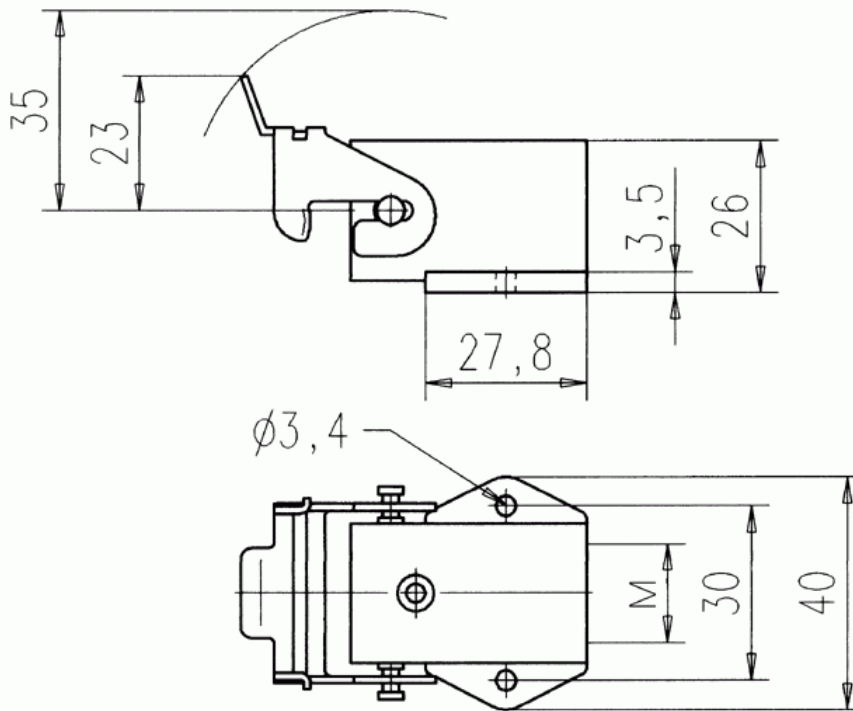
COMMON CHARACTERISTICS		
Cable entry		1 cable entry
IP degree of protection		IP 65
Colour		grey
Thread		M 20
Housing type		Housing
Insert type		Housing
Protective cover		PA
ELECTRICAL CHARACTERISTICS		
Contact resistance	DIN EN 60512-2-1, Test 2a / IEC 60512-2-1, Test 2a	0 m
CLIMATICAL CHARACTERISTICS		
Temperature range		- 40 °C / + 100 °C
Upper temperature		+ 100 °C / 1000 h
Lower temperatur		- 40 °C / 16 h
MECHANICAL CHARACTERISTICS		
Mechanical lifetime (standard)		IEC 60512-5; Test 9 a
MATERIALS		
Gasket		NBR
Dielectric material		special surface

heavy|mate® - C146 Housings Housing, single side entry, with stud, with gland bushing

Part No. C146 10N003 500 4

Series Heavy duty connectors heavy|mate® - C 146

Subseries Heavy duty connector heavy|mate® - C146 Housings



Montageausschnitt/panel cut out: 22 x 22 mm

Drawing Dimensions in mm (Inch)

11.07.2007