




Product information G 30 E 3 M grau/grey

Industrial Connecting Solutions:Rectangular Connectors:DIN VDE 0627 / IEC 61984 Connectors (G serie):Cable plug:G 30 E 3 M grau/grey

<http://www.e-catalog.beldensolutions.com/link/57078-24228-256261-24347-24349-36963/en/conf/ui/state>

Name	G 30 E 3 M grau/grey
	
	Panel-mounted connector for crimp contacts
Delivery informations	
Availability	available
Product description	
Description	Panel-mounted connector for crimp contacts
Type	G 30 E 3 M grau/grey
Order No.	731 996-506
Type of contact	blade contacts
Number of contacts	3 + PE, alternatively 2 + PE
Standard	DIN VDE 0627 / IEC 61984
Housing Color	grey
Technical data	
Pin dimensions	2.8 mm x 0.8 mm
Rated voltage	AC/DC 250 V
Rated current	10 A
Contact resistance	<= 4 mOhm
Type of termination	crimp
Suitable cables	4 mm to 7.5 mm
Mounting	screws
Material	
Contact surface material	Sn
Contact bearer material	PA
Housing material	PA
Environmental conditions	
Protection class (IEC 60529)	IP 65
Pollution severity	3
Temperature range	-40 °C to +90 °C
Inflammability class	
Housing	94 HB
Contact bearer	94 HB
Approvals	
VDE	VDE
Packing unit	
Packaging unit	100 pieces
Scope of delivery and accessories	
Scope of delivery	1 insulated casing without crimping contacts
Accessories to order separately	can be plugged into G 30 KW 3 F 2m, G 30 W 3 F grau/grey, G 20 W 3 F grau/grey; flat gasket G 30 E-1, order no. 732 135-002 crimping contacts RMC 280, order no. 731 991-021



HIRSCHMANN

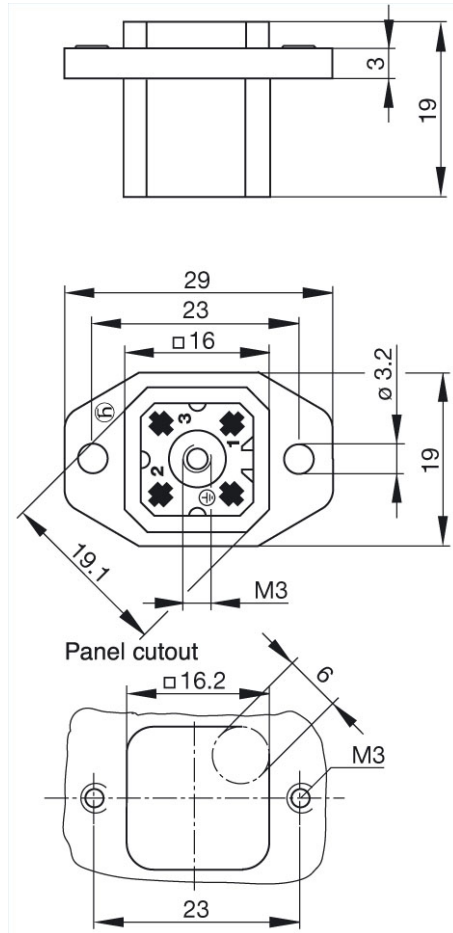
A BELDEN BRAND

Industrial Connecting Solutions: Rectangular Connectors: DIN VDE 0627 / IEC 61984 Connectors (G serie): Cable plug: G 30 E 3 M grau/grey

<http://www.e-catalog.beldensolutions.com/link/57078-24228-256261-24347-24349-36963/en/conf/ui/state>

Picture

Drawing



Belden Deutschland GmbH

Im Gewerbepark 2
58579 Schalksmühle
Germany
Phone: +49 7127/14-1806
E-Mail: icos-sales@belden.com

The information published in the websites has been compiled as carefully as possible. It is subject to alteration without notice in technical as well as in price-related/commercial respect. The complete information and data were available on user documentation. Mandatory information can only be obtained by a concrete query.